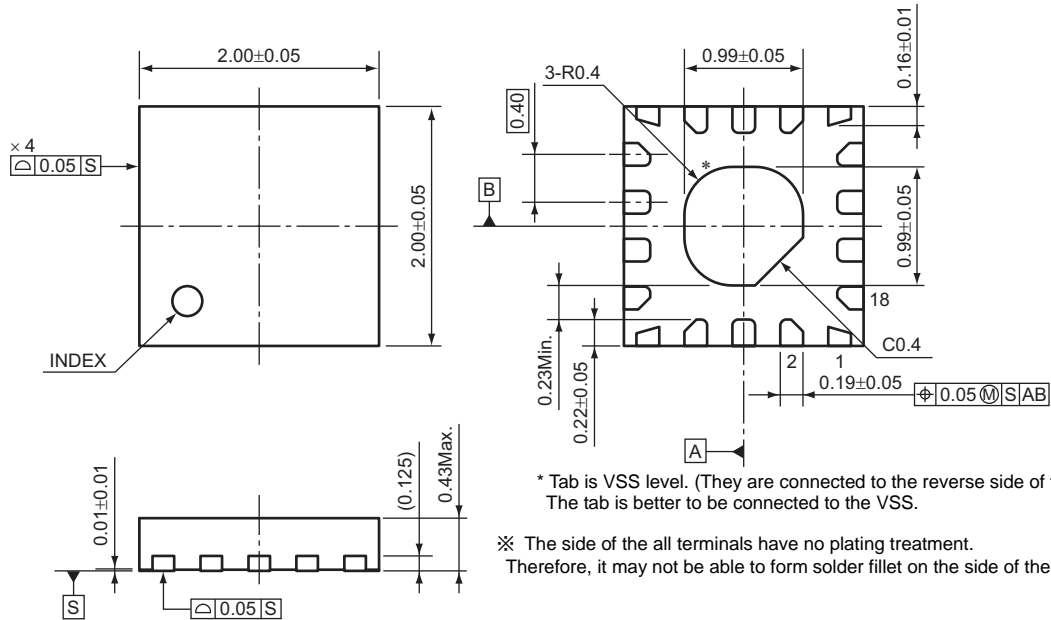


• QFN0202-18

Unit: mm

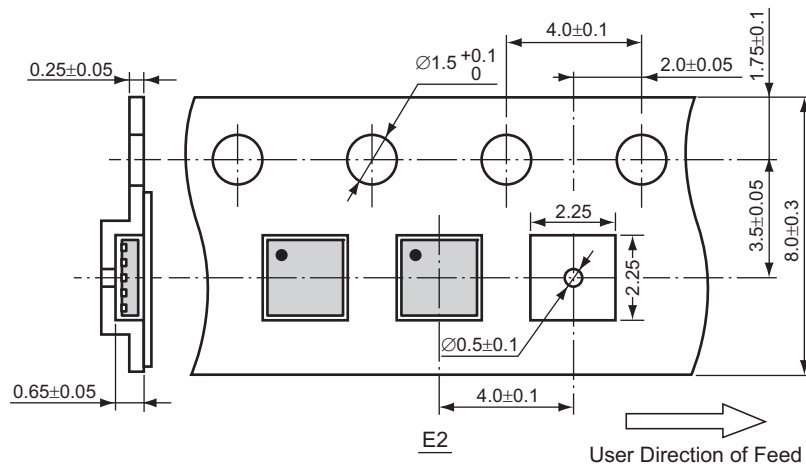
PACKAGE DIMENSIONS



\* Tab is VSS level. (They are connected to the reverse side of this IC.)  
The tab is better to be connected to the VSS.

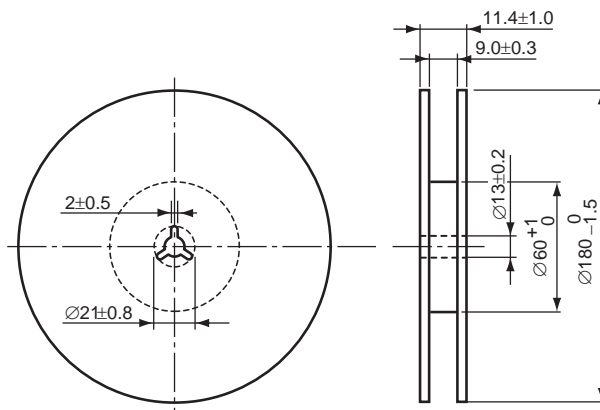
※ The side of the all terminals have no plating treatment.  
Therefore, it may not be able to form solder fillet on the side of the terminals.

TAPING SPECIFICATION

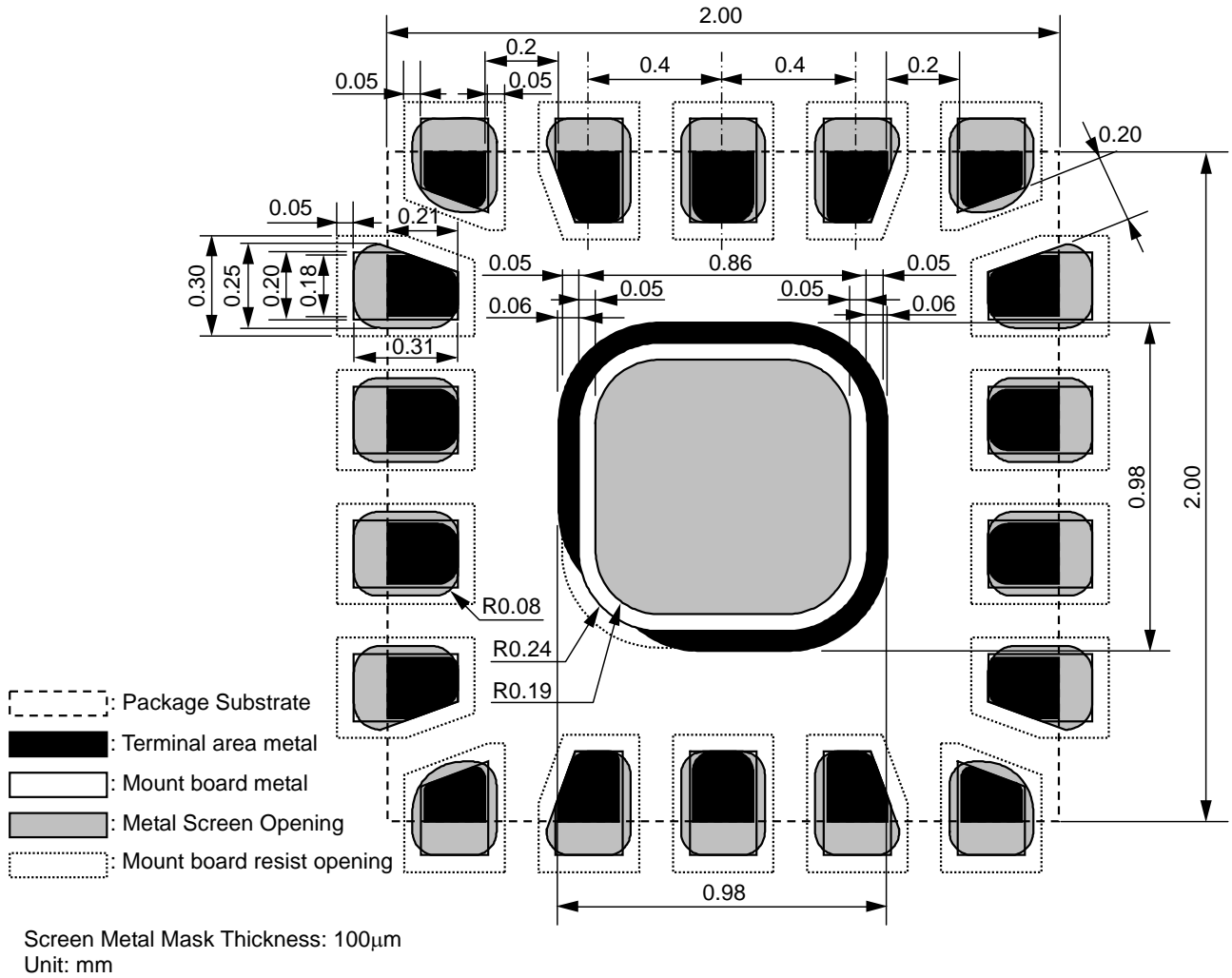


TAPING REEL DIMENSIONS REUSE REEL (EIAJ-RRM-08Bc)

1 reel = 3,000 pcs



Land Pattern and Screen Mask (Reference Chart)



\* Pad layout and size can modify by customers material, equipment, method.  
Please adjust pad layout according to your conditions.