

Discontinued

OUTLINE

The RS5C314 is a CMOS type real-time clock which is connected to the CPU via three signal lines and capable of serial transmission of clock and calendar data to the CPU. The RS5C314 can generate various interrupt clock pulses lasting for long periods (one month). Driving an oscillation circuit at constant voltage, the circuit undergoes few voltage fluctuations and consequently realizes low current consumption (TYP. 0.7 μ A at 3 V). It also provides an oscillator halt sensing function for application to data validity at power-on and other occasions. Integrated into an ultra-compact and ultra-thin 8pin SSOP (0.65mm pitch), the RS5C314 is the optimum choice for equipment requiring small size and low power consumption.

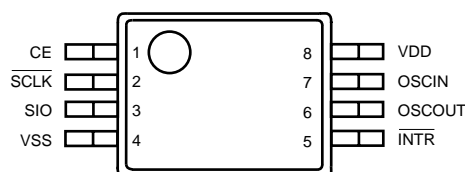
There is RS5C313 reversing the logic of serial clock for series goods.

FEATURES

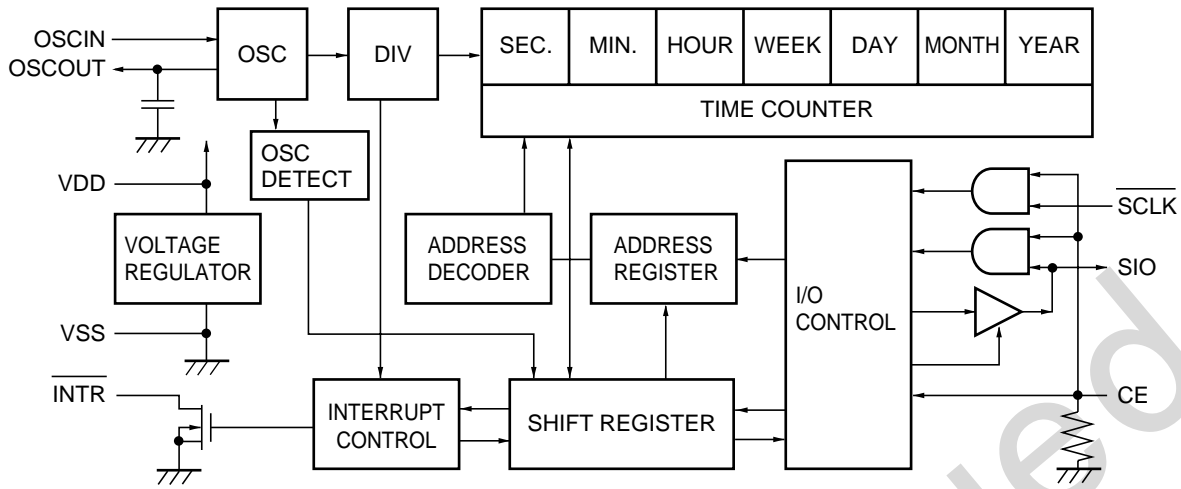
- Time Keeping Supply Voltage: 1.6 to 6.0 V
- Operating Supply Voltage: 2.7 to 6.0 V
- Low Current Consumption: TYP. 0.7 μ A (MAX. of 1.5 μ A) at 3V
- Connection to the CPU via only three pins: CE, $\overline{\text{SCLK}}$, and SIO (for addressing and data read and write operations)
- A clock counter (counting hours, minutes, and seconds) and a calendar counter (counting leap years, years, months, days, and days of the week) in binary-coded decimal (BCD) code
- Generation of interrupt pulses to the CPU with cycles ranging from 1 month to 1/1024 Hz, interrupt flags, and interrupt halt
- Software-based alarming through clock-interlocked interrupt operation
- Oscillator halt sensing to judge internal data validity
- Second digit adjustment by ± 30 seconds
- 12-hour or 24-hour time display selectable
- Automatic leap year recognition up to the year 2099
- CMOS logic
- Package: 8pin SSOP (0.65mm pitch)

PIN CONFIGURATION

• 8pin SSOP



BLOCK DIAGRAM

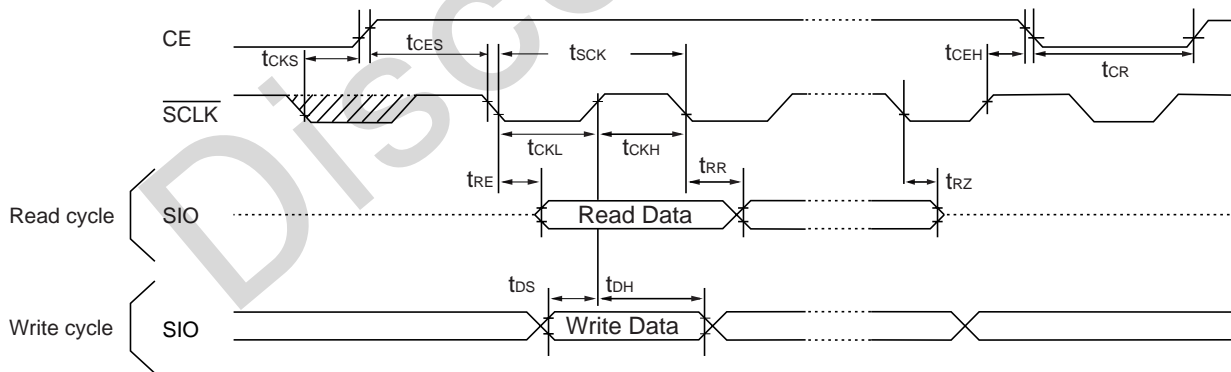


A DIFFERENCE WITH RS5C313

The logic of serial clock is point that it become that RS5C313 reverses RS5C314 with \overline{SCLK} for SCLK and difference point of RS5C314 and RS5C313, describe is the master of by it being different in the following 3 items

(Give RS5C313 application manual absolutely reference in electric characteristic / the thing AC/DC requirements rating / recommendation gesture a maximum.)

1. Timing Chart



Input/output conditions

- $V_{IH} = 0.8 \times V_{DD}$
- $V_{IL} = 0.2 \times V_{DD}$
- $V_{OH} = 0.8 \times V_{DD}$
- $V_{OL} = 0.2 \times V_{DD}$

*) The ability that is fair in "H" or "L" slanted line department

2. Read Data

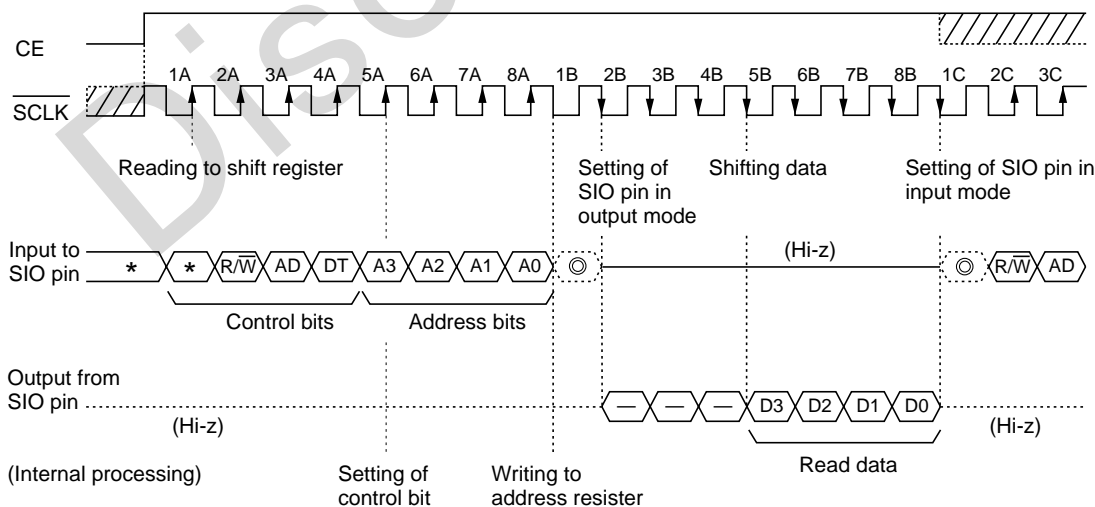
The real-time clock becomes accessible by switching the CE pin from the low level to high level to enable interfacing with the CPU and then inputting setting data (control bits and address bits) to the SIO pin in synchronization with shift clock pulses from the $\overline{\text{SCLK}}$ pin.

The input data are registered in synchronization with the rising edge of the $\overline{\text{SCLK}}$. When the data is read, the read cycle shall be set by control bits.

- Control bits
 - R/ $\overline{\text{W}}$: Establishes the read mode when set to 1, and the write mode when set to 0.
 - AD: Writes succeeding address bits (A3 to A0) to the address register when set to 1 with the DT bit set to 0 and performs no such write operation in any other case.
 - DT: Writes data bits (D3 to D0) to the counter or the register specified by the address register which has written just before when set to 1 with the R/ $\overline{\text{W}}$ and AD bits set equally to 0 and performs no such write operation in any other case.
- Address bits
 - A3 to A0: Inputs the bits MSB to LSB in the address table describing the functions.

2.1 Read Cycle Flow

1. The CE pin is switched from the low level to the high level.
2. Four control bits (with the first bit ignored) and four read address bits are input from the SIO pin. At this time, control bits R/ $\overline{\text{W}}$ and AD are set equally to 1 while a control bit DT is set to 0.
3. The SIO pin enters the output mode at the falling edge of the shift clock pulse 2B from the $\overline{\text{SCLK}}$ pin while the four read bits (MSB→LSB) at designated addresses are output at the falling edge of the shift clock pulse 5B (see the figure below).
4. Then, the SIO pin returns to the input mode at the falling edge of the shift clock pulse 1C. Afterwards control bits and address bits are input at the shift clock pulses 1C in the same manner as at the shift clock pulse 1A.
5. At the end of read cycle, the CE pin is switched from the high level to the low level (after t_{CEH} from the rising edge of the eighth shift clock pulse from the $\overline{\text{SCLK}}$ pin). (Following on read cycle, write operation can be performed by setting control bits in the write mode at the shift clock pulse 1C and later with the CE pin held at the high level.)



) In the above figure, the "" mark indicates arbitrary data; the "—" mark indicates unknown data; the "⊙" mark indicates data which are available when the SIO pin is held at the high, low, or Hiz level; and the diagonally shaded area indicates high or low.

3. Write Data

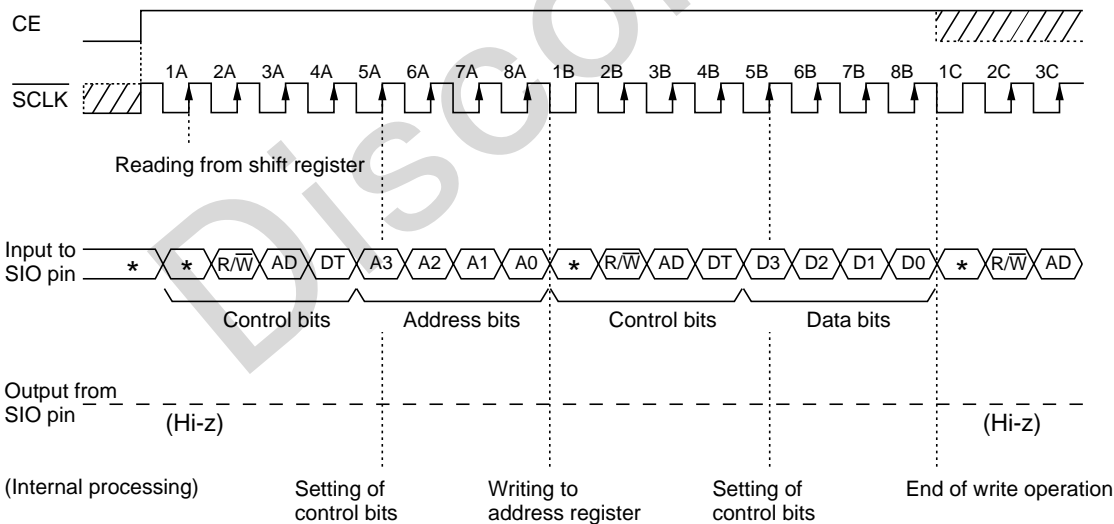
Writing data to the real-time clock requires inputting setting data (control bits and address bits) to the SIO pin and then establishing the write mode by using a control bit R/\overline{W} in the same manner as in read operation.

*) Control bits and address bits are described in the previous section on read cycle.

- Data bits D3 to D0 : inputs writing data to the counter or the register describing the functions in order of MSB to LSB.

3.1 Write Cycle Flow

1. The CE pin is switched from the low level to the high level.
2. Four control bits (with the first bit ignored) and four write address bits are input from the SIO pin. At this time, control bits R/\overline{W} and DT are set equally to 0 while a control bit AD is set to 1 (at the shift clock pulses 1A to 8A from the \overline{SCLK} pin).
3. Four control bits and four bits of data to be written are input in the descending order of their significance. At this time, control bits R/\overline{W} and AD are set equally to 0 while a control bit DT is set to 1 (at the shift clock pulses 1B to 8B from the \overline{SCLK} pin).
4. When write cycle is continued, control bits and address bits are input at the shift clock pulse 1C and later in the same manner as at the shift clock pulse 1A.
5. At the end of write operation, control bits R/\overline{W} , AD, and DT are set equally to 0 (at the rising edge of the fifth shift clock pulse and later from the \overline{SCLK} pin) or the CE pin is switched from the high level to the low level (after t_{CEH} from the rising edge of the eighth shift clock pulse from the \overline{SCLK} pin).



) In the above figure, the "" mark indicates arbitrary data; and the diagonally shaded area indicates the high or low level.



1. The products and the product specifications described in this document are subject to change or discontinuation of production without notice for reasons such as improvement. Therefore, before deciding to use the products, please refer to Ricoh sales representatives for the latest information thereon.
2. The materials in this document may not be copied or otherwise reproduced in whole or in part without prior written consent of Ricoh.
3. Please be sure to take any necessary formalities under relevant laws or regulations before exporting or otherwise taking out of your country the products or the technical information described herein.
4. The technical information described in this document shows typical characteristics of and example application circuits for the products. The release of such information is not to be construed as a warranty of or a grant of license under Ricoh's or any third party's intellectual property rights or any other rights.
5. The products listed in this document are intended and designed for use as general electronic components in standard applications (office equipment, telecommunication equipment, measuring instruments, consumer electronic products, amusement equipment etc.). Those customers intending to use a product in an application requiring extreme quality and reliability, for example, in a highly specific application where the failure or misoperation of the product could result in human injury or death (aircraft, spacevehicle, nuclear reactor control system, traffic control system, automotive and transportation equipment, combustion equipment, safety devices, life support system etc.) should first contact us.
6. We are making our continuous effort to improve the quality and reliability of our products, but semiconductor products are likely to fail with certain probability. In order to prevent any injury to persons or damages to property resulting from such failure, customers should be careful enough to incorporate safety measures in their design, such as redundancy feature, fire containment feature and fail-safe feature. We do not assume any liability or responsibility for any loss or damage arising from misuse or inappropriate use of the products.
7. Anti-radiation design is not implemented in the products described in this document.
8. The X-ray exposure can influence functions and characteristics of the products. Confirm the product functions and characteristics in the evaluation stage.
9. WLCSP products should be used in light shielded environments. The light exposure can influence functions and characteristics of the products under operation or storage.
10. There can be variation in the marking when different AOI (Automated Optical Inspection) equipment is used. In the case of recognizing the marking characteristic with AOI, please contact Ricoh sales or our distributor before attempting to use AOI.
11. Please contact Ricoh sales representatives should you have any questions or comments concerning the products or the technical information.



Ricoh is committed to reducing the environmental loading materials in electrical devices with a view to contributing to the protection of human health and the environment.

Ricoh has been providing RoHS compliant products since April 1, 2006 and Halogen-free products since April 1, 2012.

RICOH RICOH ELECTRONIC DEVICES CO., LTD.

<http://www.e-devices.ricoh.co.jp/en/>

Sales & Support Offices

RICOH ELECTRONIC DEVICES CO., LTD.

Higashi-Shinagawa Office (International Sales)
3-32-3, Higashi-Shinagawa, Shinagawa-ku, Tokyo 140-8655, Japan
Phone: +81-3-5479-2857 Fax: +81-3-5479-0502

RICOH EUROPE (NETHERLANDS) B.V.

Semiconductor Support Centre
Prof. W.H. Keesomlaan 1, 1183 DJ Amstelveen, The Netherlands
Phone: +31-20-5474-309

RICOH INTERNATIONAL B.V. - German Branch

Semiconductor Sales and Support Centre
Oberrather Strasse 6, 40472 Düsseldorf, Germany
Phone: +49-211-6546-0

RICOH ELECTRONIC DEVICES KOREA CO., LTD.

3F, Haesung Bldg, 504, Teheran-ro, Gangnam-gu, Seoul, 135-725, Korea
Phone: +82-2-2135-5700 Fax: +82-2-2051-5713

RICOH ELECTRONIC DEVICES SHANGHAI CO., LTD.

Room 403, No.2 Building, No.690 Bibo Road, Pu Dong New District, Shanghai 201203, People's Republic of China
Phone: +86-21-5027-3200 Fax: +86-21-5027-3299

RICOH ELECTRONIC DEVICES CO., LTD.

Taipei office
Room 109, 10F-1, No.51, Hengyang Rd., Taipei City, Taiwan (R.O.C.)
Phone: +886-2-2313-1621/1622 Fax: +886-2-2313-1623