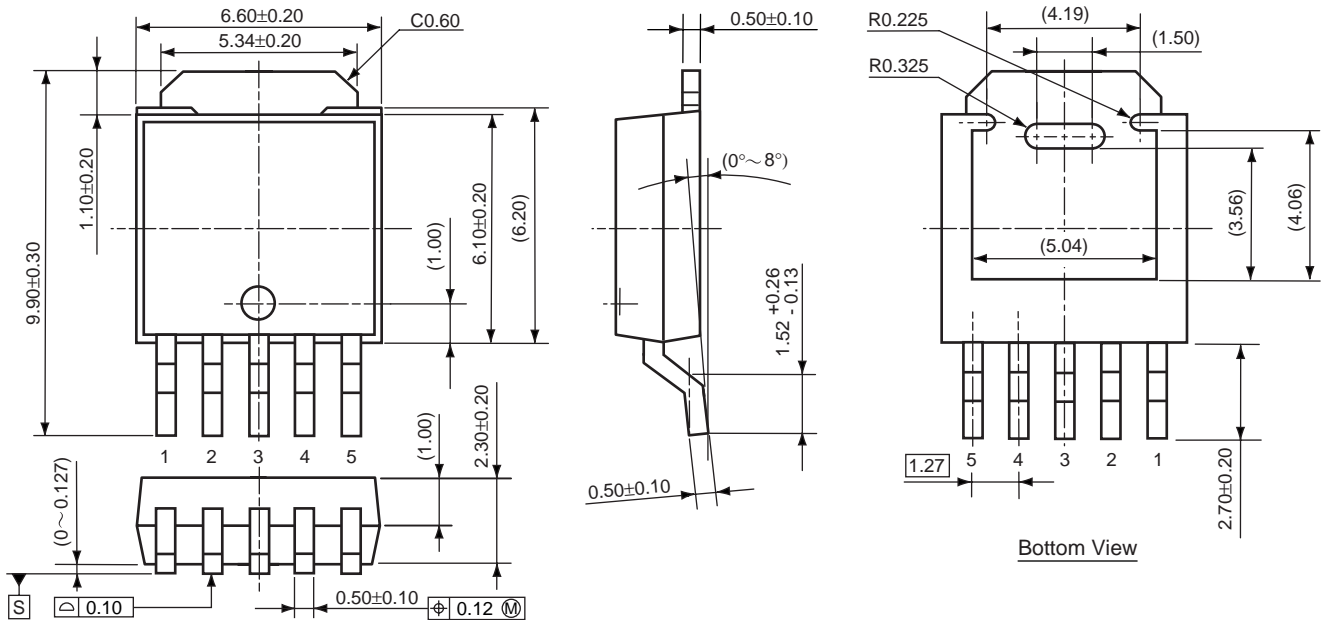


• TO-252-5-P2

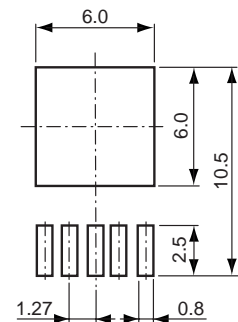
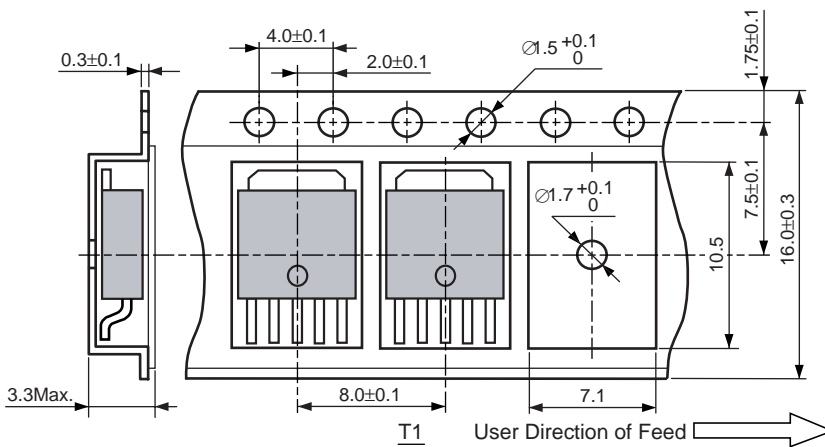
Unit: mm

PACKAGE DIMENSIONS



TAPING SPECIFICATION

RECOMMENDED LAND PATTERN



TAPING REEL DIMENSIONS REUSE REEL (EIAJ-RRM-16Dc)

(1 reel=3,000pcs)

