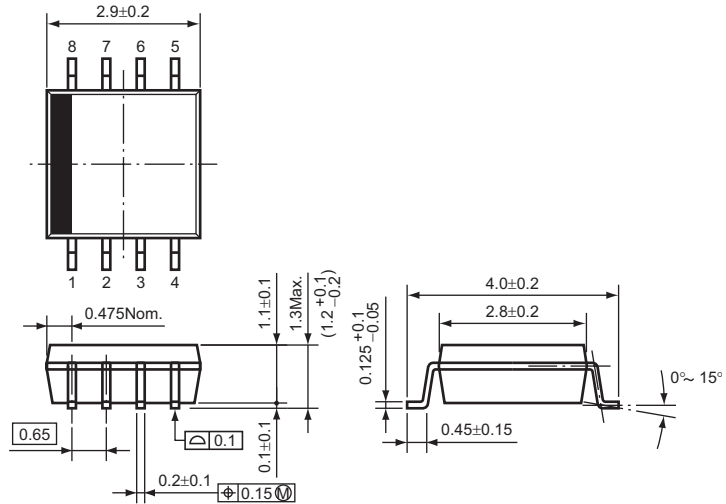


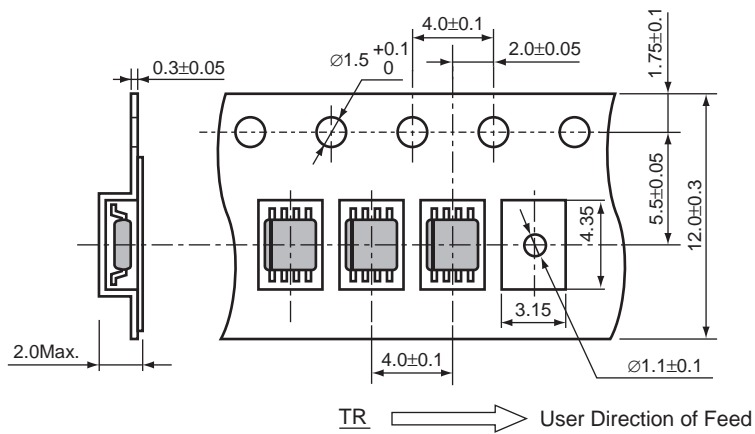
• SSOP-8G

Unit: mm

PACKAGE DIMENSIONS

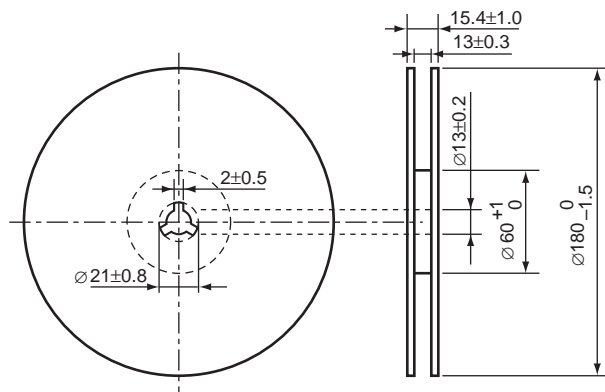


TAPING SPECIFICATION



TAPING REEL DIMENSIONS REUSE REEL (EIAJ-RRM-12Bc)

(1reel=3,000pcs)



### POWER DISSIPATION (SSOP-8G)

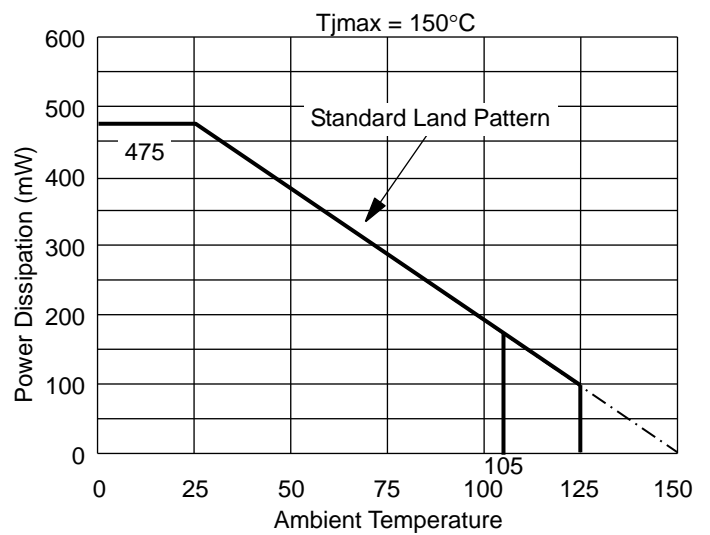
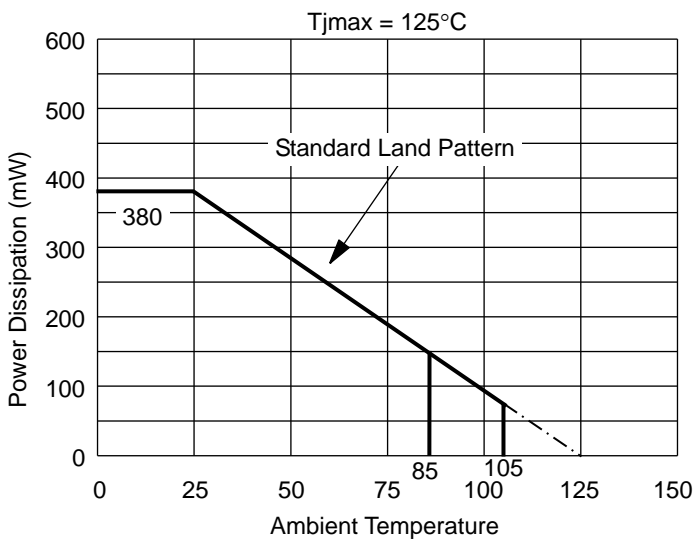
This specification is at mounted on board. Power Dissipation ( $P_D$ ) depends on conditions of mounting on board. This specification is based on the measurement at the condition below:

Measurement Conditions

	Standard Land Pattern
Environment	Mounting on Board (Wind velocity=0m/s)
Board Material	Glass cloth epoxy plastic (Double sided)
Board Dimensions	40 mm × 40 mm × 1.6 mm
Copper Ratio	Top side : Approx. 50% , Back side : Approx. 50%
Through-hole	φ0.5 mm × 44 pcs

Measurement Result ( $T_a = 25^\circ\text{C}$ )

	Standard Land Pattern
Power Dissipation	380 mW ( $T_{jmax} = 125^\circ\text{C}$ ) 475 mW ( $T_{jmax} = 150^\circ\text{C}$ )
Thermal Resistance	$\theta_{ja} = 263^\circ\text{C/W}$ $\theta_{jc} = 60^\circ\text{C/W}$



Power Dissipation vs. Ambient Temperature

### RECOMMENDED LAND PATTERN

