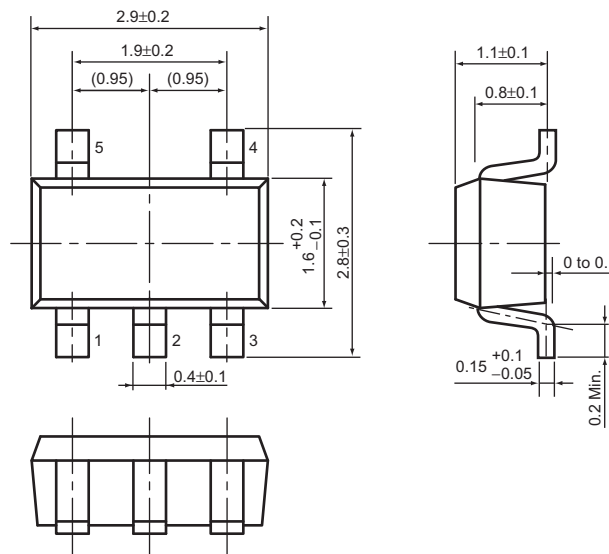


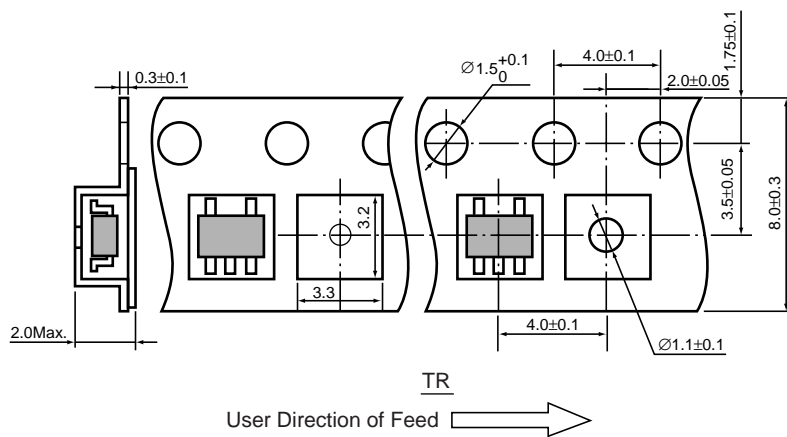
- SOT-23-5 (SC-74A)

Unit: mm

PACKAGE DIMENSIONS

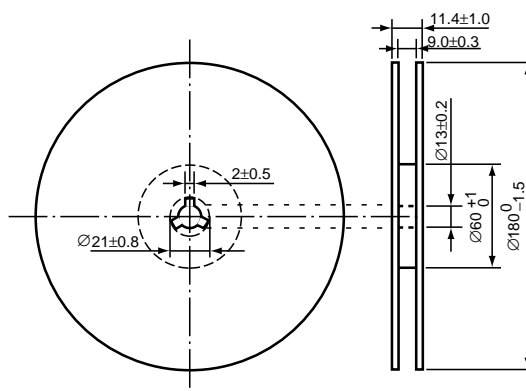


TAPING SPECIFICATION



TAPING REEL DIMENSIONS REUSE REEL (EIAJ-RRM-08Bc)

(1 reel=3,000 pcs)



POWER DISSIPATION (SOT-23-5)

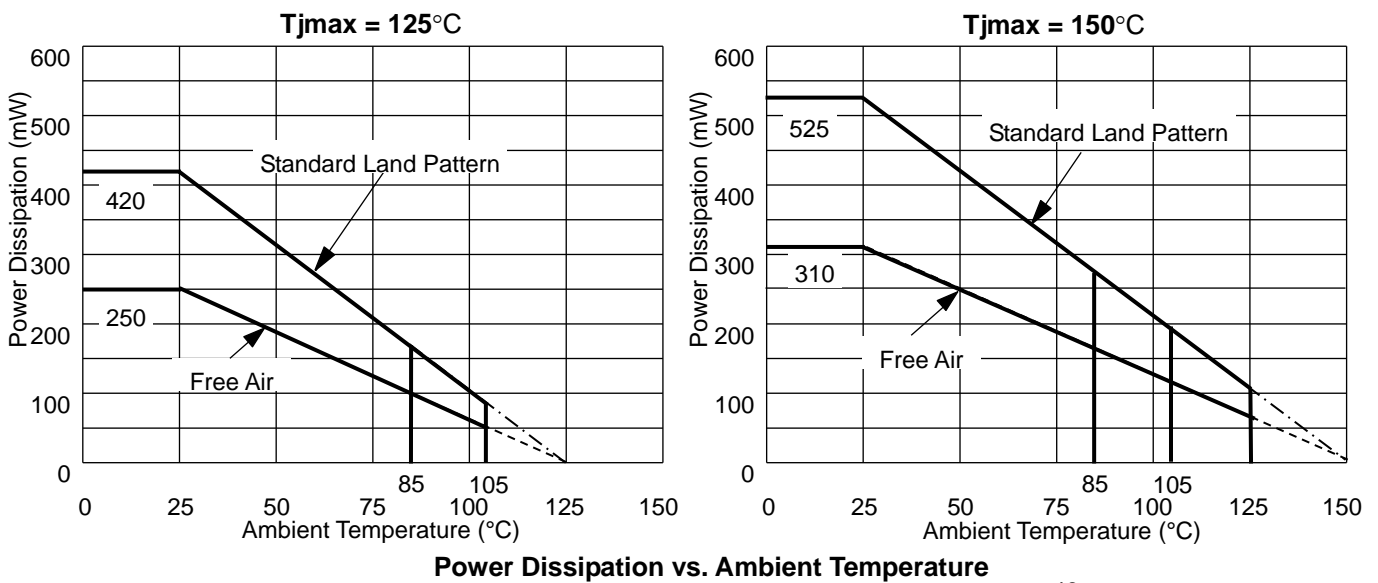
This specification is at mounted on board. Power Dissipation (P_D) depends on conditions of mounting on board. This specification is based on the measurement at the condition below:
 (Power Dissipation (SOT-23-5) is substitution of SOT-23-6.)

Measurement Conditions

| | |
|------------------|--|
| | Standard Land Pattern |
| Environment | Mounting on Board (Wind velocity=0m/s) |
| Board Material | Glass cloth epoxy plastic (Double-sided Board) |
| Board Dimensions | 40 mm × 40 mm × 1.6 mm |
| Copper Ratio | Top side : Approx. 50% , Back side : Approx. 50% |
| Through-holes | φ0.5 mm × 44 pcs |

Measurement Results ($T_a=25^\circ\text{C}$)

| | | |
|--------------------|--|--|
| | Standard Land Pattern | Free Air |
| Power Dissipation | 420 mW ($T_{jmax} = 125^\circ\text{C}$) 525 mW ($T_{jmax} = 150^\circ\text{C}$) | 250 mW ($T_{jmax} = 125^\circ\text{C}$) 310 mW ($T_{jmax} = 150^\circ\text{C}$) |
| Thermal Resistance | $\theta_{ja} = 238^\circ\text{C/W}$ | 400 $^\circ\text{C/W}$ |



RECOMMENDED LAND PATTERN

