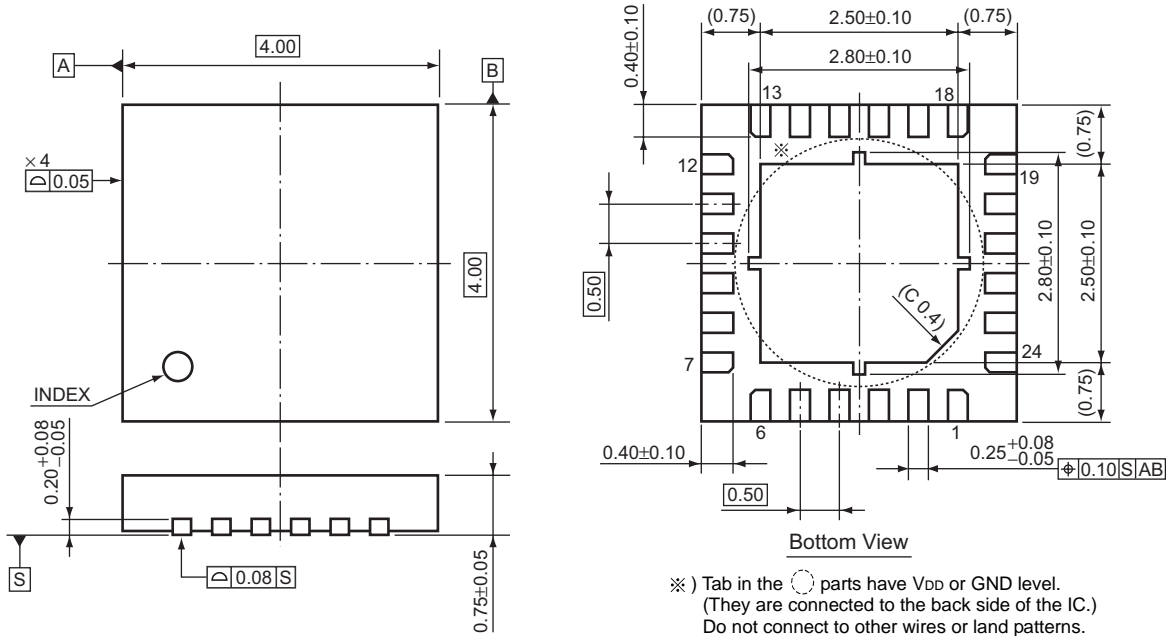


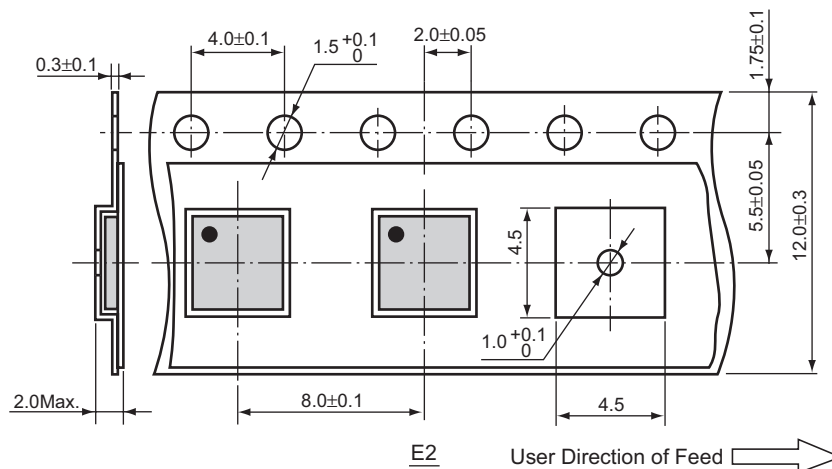
• QFN0404-24

Unit: mm

PACKAGE DIMENSIONS

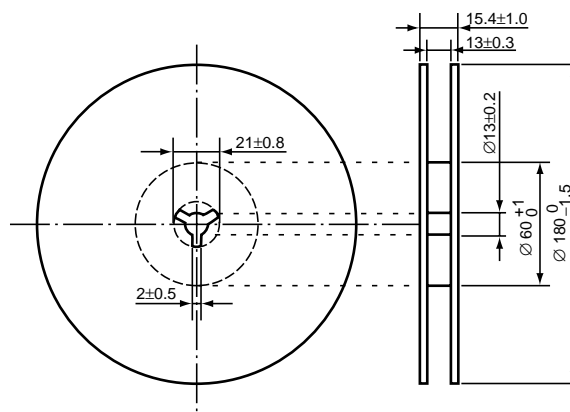


TAPING SPECIFICATION



TAPING REEL DIMENSIONS REUSE REEL (EIAJ-RRM-12Bc)

(1reel=1000pcs)



### POWER DISSIPATION (QFN0404-24)

This specification is at mounted on board. Power Dissipation ( $P_D$ ) depends on conditions of mounting on board. This specification is based on the measurement at the condition below:

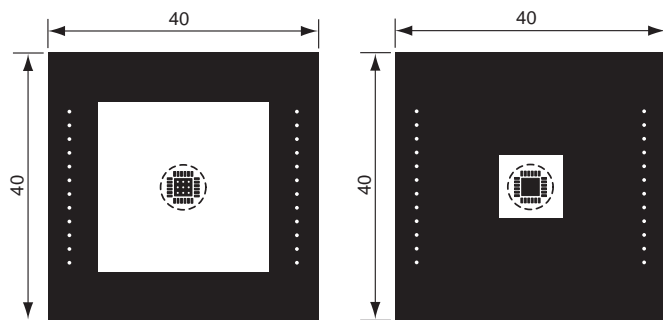
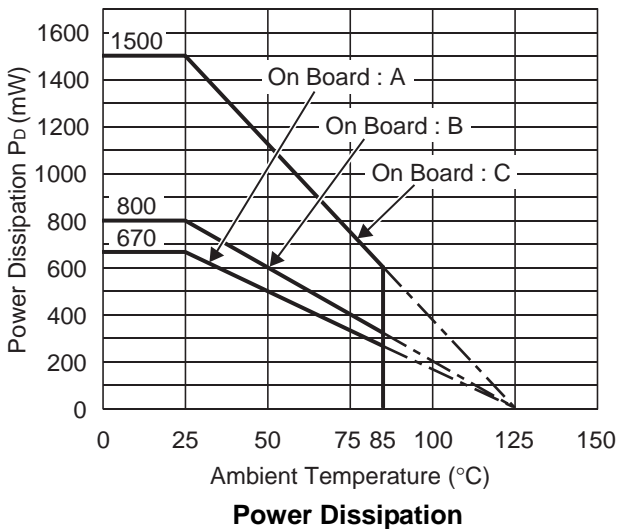
Measurement Conditions

	Land Pattern A	Land Pattern B	Land Pattern C
Environment	Mounting on Board (Wind velocity=0m/s)		
Board Material	Glass cloth epoxy plastic (Double sided)		
Board Dimensions	40mm × 40mm × 1.6mm		
Copper Ratio	Top side : Approx. 50% Back side : Approx. 50%	Top side : Approx. 90% Back side : Approx. 90%	Top side : Approx. 50% Back side : Approx. 100%
Through-hole	φ0.25mm × 24pcs	φ0.25mm × 24pcs	φ0.25mm × 33pcs
Remarks	Top side and back side are connected by 9 through-holes in the tab area.		

Measurement Result

( $T_{opt}=25^{\circ}C$ ,  $T_{jmax}=125^{\circ}C$ )

	Land Pattern A	Land Pattern B	Land Pattern C
Power Dissipation	670mW	800mW	1500mW
Thermal Resistance	$\theta_{ja}=150^{\circ}C/W$	$\theta_{ja}=125^{\circ}C/W$	$\theta_{ja}=67^{\circ}C/W$
	$\theta_{jc}=15^{\circ}C/W$		



\* 9 through-holes in the available only for land pattern C.

Measurement Board Pattern  
 IC Mount Area (Unit : mm)

### RECOMMENDED LAND PATTERN

