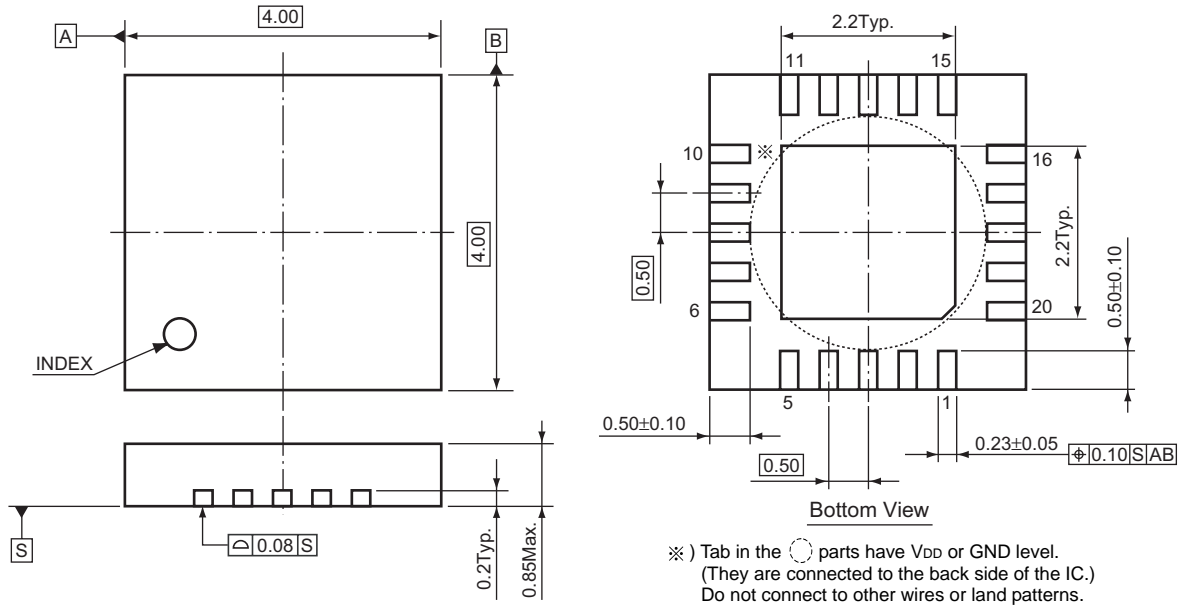


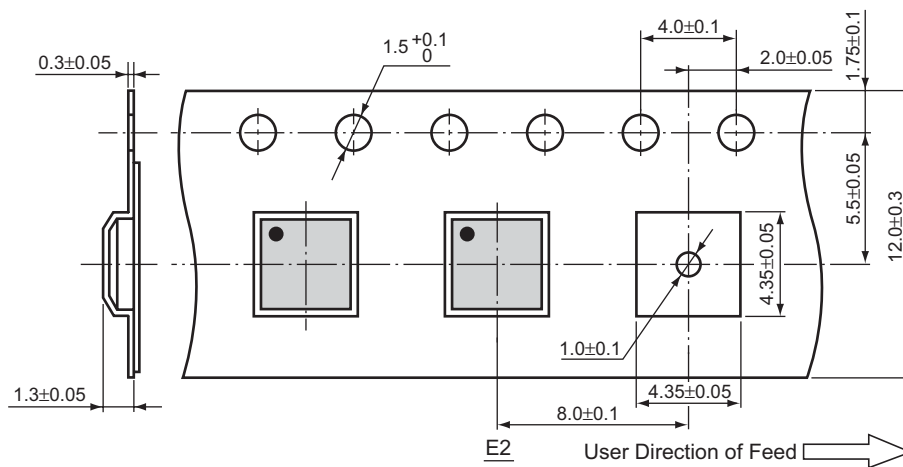
• QFN0404-20

Unit: mm

PACKAGE DIMENSIONS

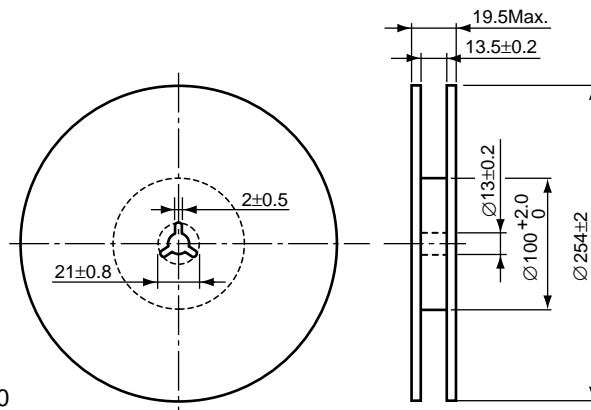


TAPING SPECIFICATION



TAPING REEL DIMENSIONS REUSE REEL (EIAJ-RRM-12Cc)

(1reel=2,000pcs)



※ A reel for QFN0404-20

POWER DISSIPATION (QFN0404-20)

This specification is at mounted on board. Power Dissipation (P_D) depends on conditions of mounting on board. This specification is based on the measurement at the condition below:

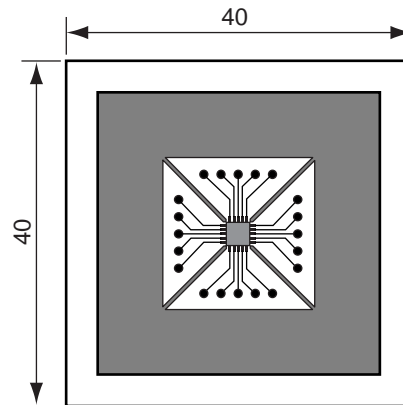
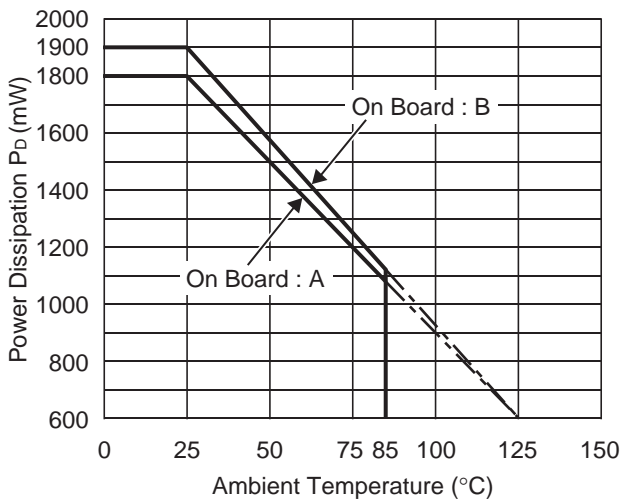
Measurement Conditions

	Land Pattern A	Land Pattern B
Environment	Mounting on Board (Wind velocity=0m/s)	
Board Material	Glass cloth epoxy plastic (4 layers)	
Board Dimensions	35mm × 90mm × 0.8mm	40mm × 40mm × 0.8mm
Copper Ratio	Each layer: 15%	1st:50%, 2nd:15%, 3rd:15%, 4th:50%
Through-hole	$\phi 0.3\text{mm} \times 16\text{pcs}$, $\phi 0.5\text{mm} \times 20\text{pcs}$	$\phi 0.3\text{mm} \times 16\text{pcs}$, $\phi 0.5\text{mm} \times 20\text{pcs}$

Measurement Result

($T_{opt}=25^\circ\text{C}$, $T_{jmax}=125^\circ\text{C}$)

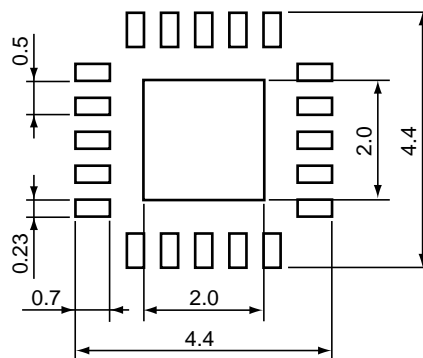
	Land Pattern A	Land Pattern B
Power Dissipation	1800mW	1900mW
Thermal Resistance	$\theta_{ja}=(125-25^\circ\text{C})/1.8\text{W}=55.6^\circ\text{C/W}$	$\theta_{ja}=(125-25^\circ\text{C})/1.9\text{W}=52.6^\circ\text{C/W}$



Measurement Board Pattern B (Unit: mm)

Power Dissipation

RECOMMENDED LAND PATTERN



(Unit: mm)