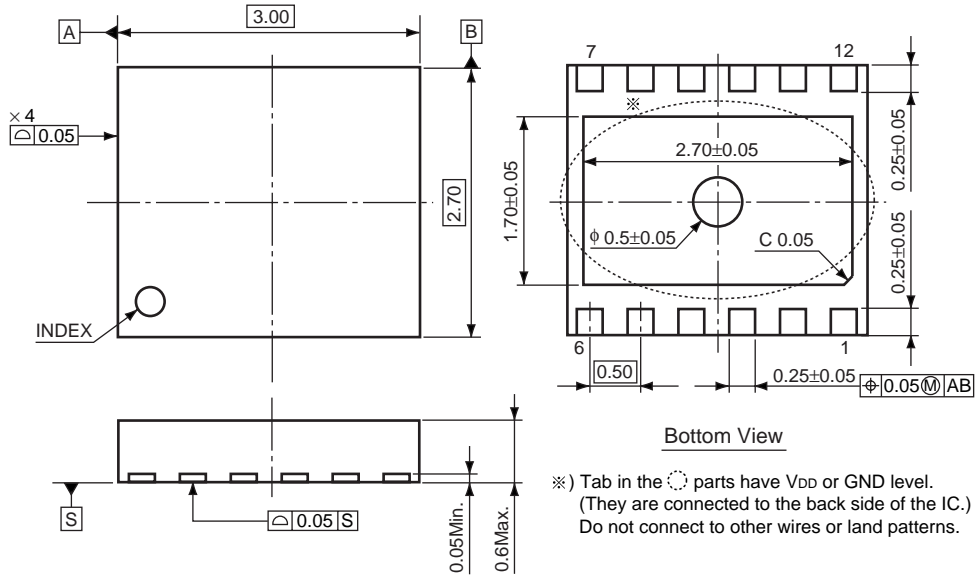


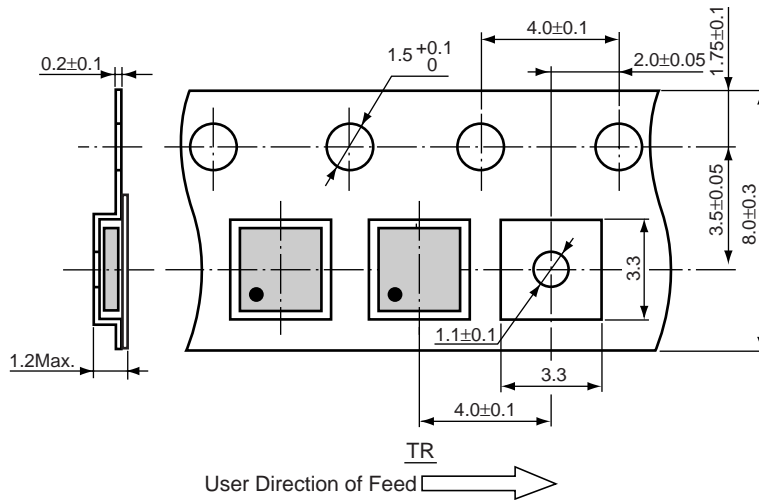
• DFN(PLP)2730-12

Unit: mm

PACKAGE DIMENSIONS

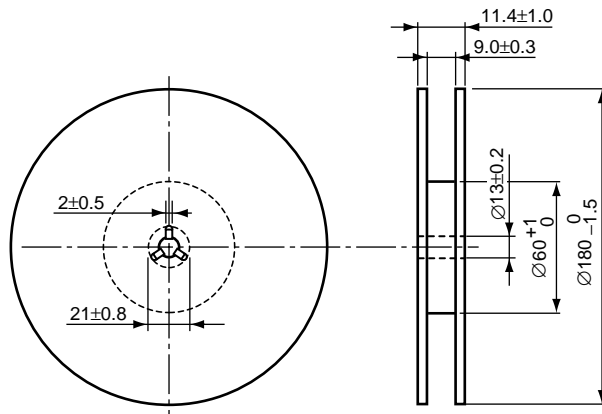


TAPING SPECIFICATION



TAPING REEL DIMENSIONS REUSE REEL (EIAJ-RRM-08Bc)

(1reel=5000pcs)



POWER DISSIPATION (DFN(PLP)2730-12)

This specification is at mounted on board. Power Dissipation (P_D) depends on conditions of mounting on board. This specification is based on the measurement at the condition below:

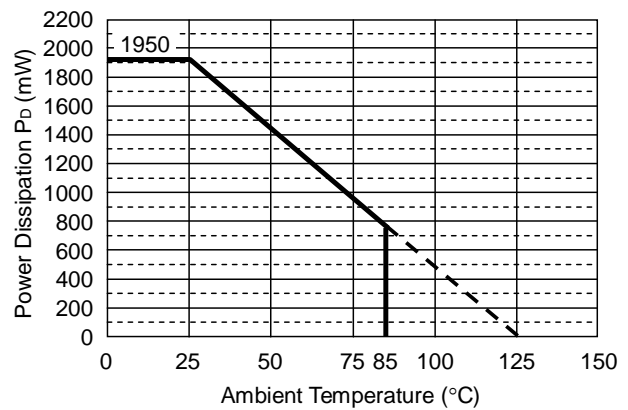
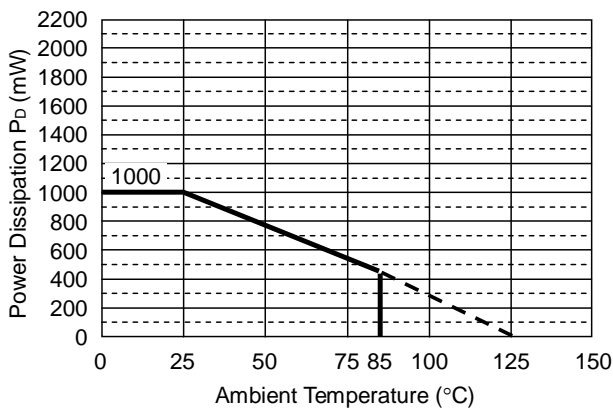
Measurement Conditions

	Standard Land Pattern	High Wattage Land Pattern
Environment	Mounting on Board (Wind velocity=0m/s)	Mounting on Board (Wind velocity=0m/s)
Board Material	Glass cloth epoxy plastic (Double sided)	Glass cloth epoxy plastic (Four-layers)
Board Dimensions	40mm × 40mm × 1.6mm	76.2mm × 114.3mm × 1.6mm
Copper Ratio	Top side : Approx. 50% , Back side : Approx. 50%	Top, Back side: Approx. 10% , 2nd, 3rd: Approx. 100%
Through-hole	$\phi 0.54\text{mm} \times 32\text{pcs}$	$\phi 0.85\text{mm} \times 64\text{pcs}$ * The land pattern of Tab(Heat spreader), the inner layers and the backside pattern are connected by 0.3mm through-hole.

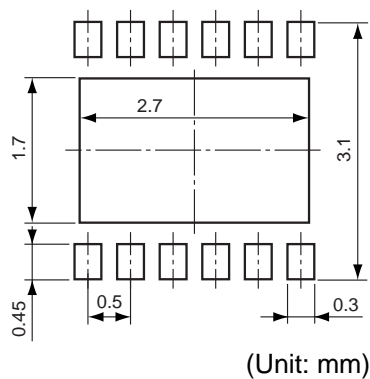
Measurement Result

($T_{opt}=25^\circ\text{C}$, $T_{jmax}=125^\circ\text{C}$)

	Standard Land Pattern	High Wattage Land Pattern
Power Dissipation	1000mW	1950mW
Thermal Resistance	$\theta_{ja}=(125-25^\circ\text{C})/1.0\text{W}=100^\circ\text{C/W}$	$\theta_{ja} = (125-25^\circ\text{C})/1.95\text{W}=51.2^\circ\text{C/W}$
Thermal Resistance	$\theta_{jc}=18^\circ\text{C/W}$	$\theta_{jc}=5.9^\circ\text{C/W}$



RECOMMENDED LAND PATTERN



Measurement Board Pattern

