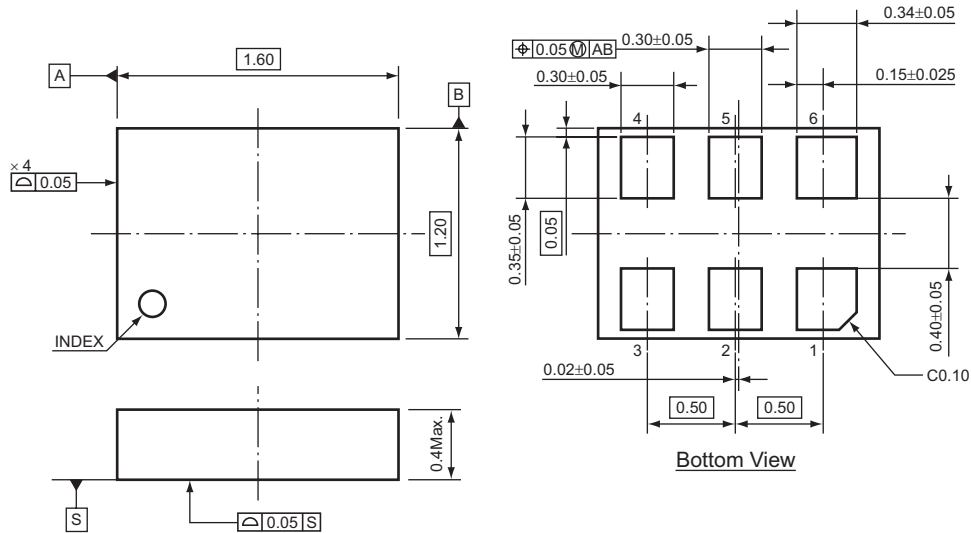


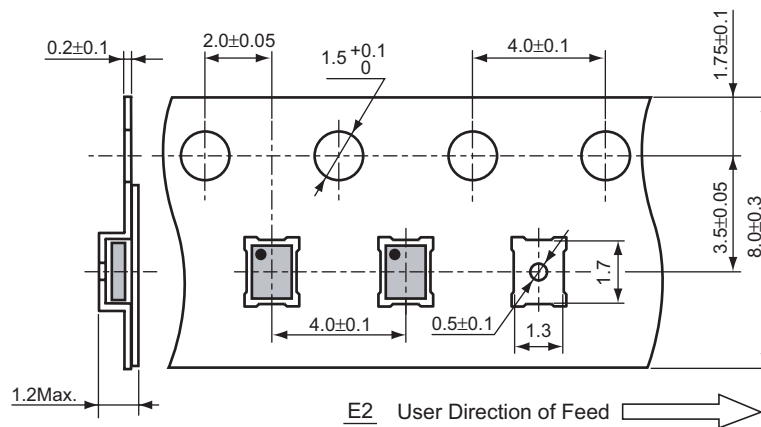
• DFN(PLP)1216-6F

Unit: mm

PACKAGE DIMENSIONS

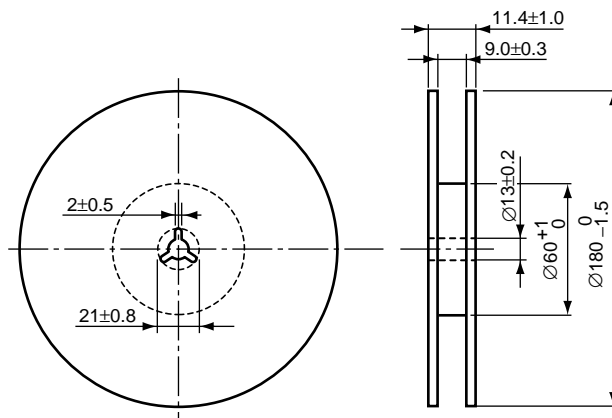


TAPING SPECIFICATION



TAPING REEL DIMENSIONS REUSE REEL (EIAJ-RRM-08Bc)

(1reel=5,000pcs)



POWER DISSIPATION (DFN(PLP)1216-6F)

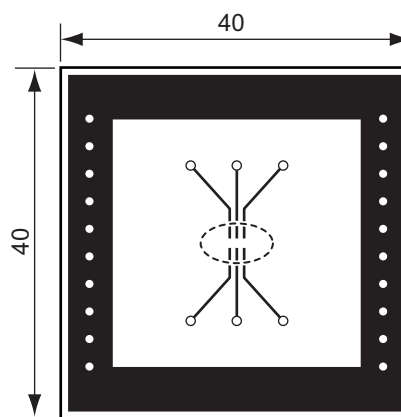
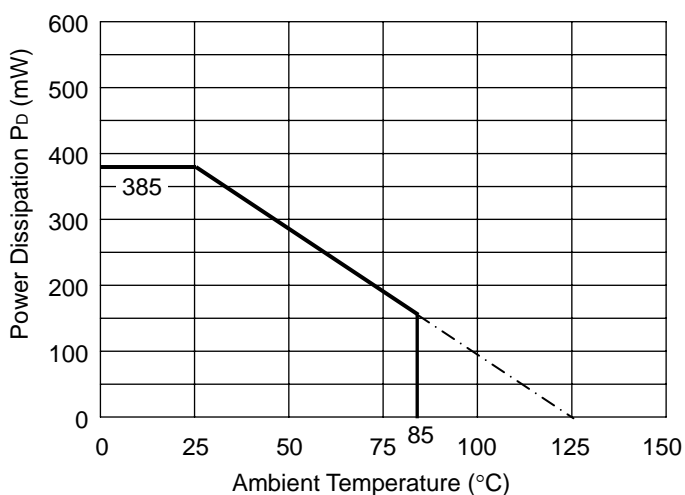
This specification is at mounted on board. Power Dissipation (P_D) depends on conditions of mounting on board. This specification is based on the measurement at the condition below:

Measurement Conditions

	Standard Land Pattern
Environment	Mounting on Board (Wind velocity=0m/s)
Board Material	Glass cloth epoxy plastic (Double sided)
Board Dimensions	40mm × 40mm × 1.6mm
Copper Ratio	Top side : Approx. 50% , Back side : Approx. 50%
Through-holes	φ0.5mm × 26pcs

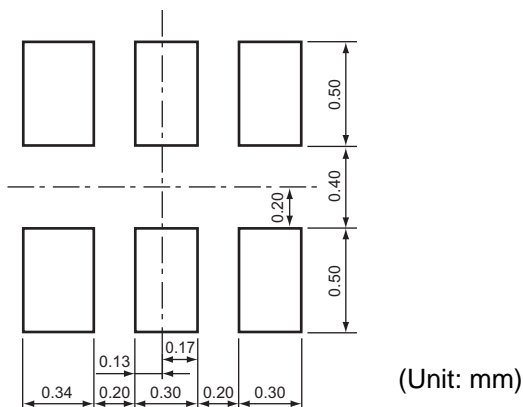
Measurement Results (T_{opt}=25°C, T_{jmax}=125°C)

	Standard Land Pattern
Power Dissipation	385mW
Thermal Resistance	$\theta_{ja}=(125-25^\circ\text{C})/0.385\text{W}=260^\circ\text{C/W}$
Thermal Resistance	$\theta_{jc}=30^\circ\text{C/W}$



Measurement Board Pattern
 ○ IC Mount Area (Unit: mm)

RECOMMENDED LAND PATTERN (DFN(PLP)1216-6F)



(Unit: mm)