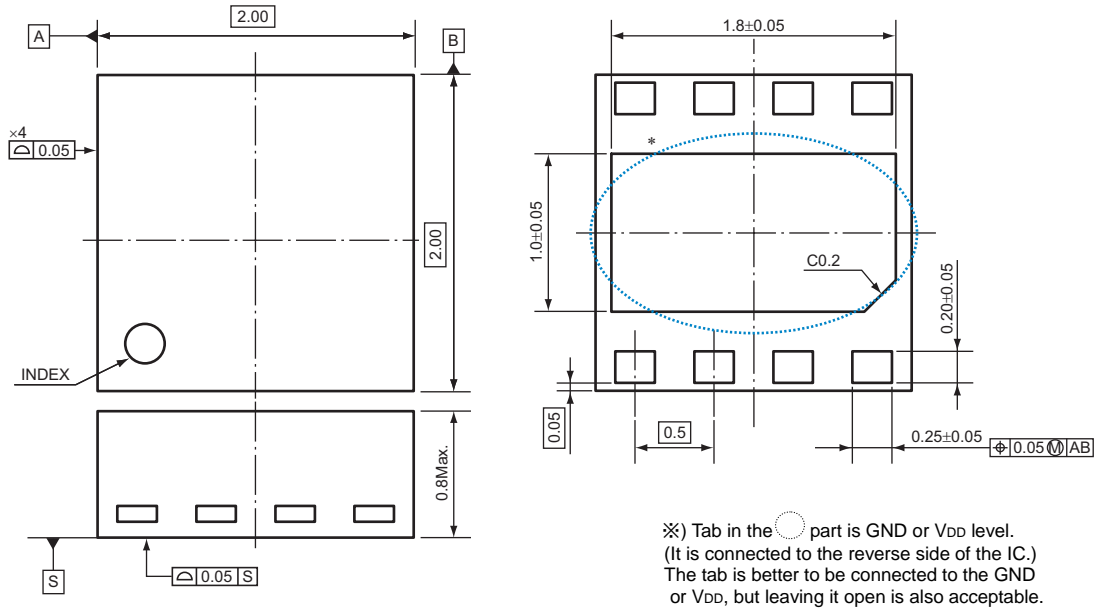


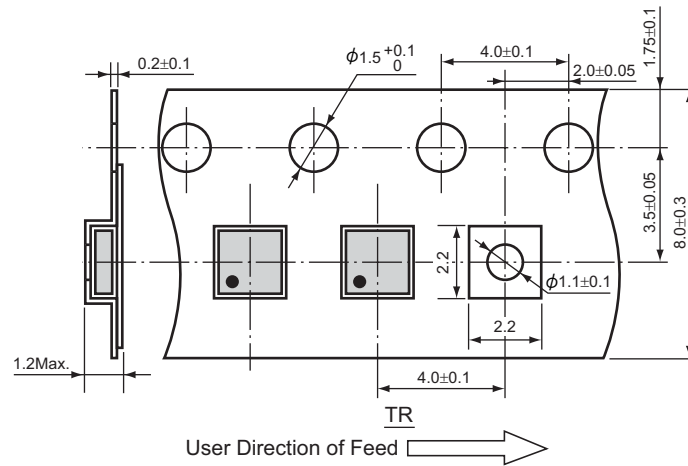
• DFN2020-8

Unit: mm

PACKAGE DIMENSIONS

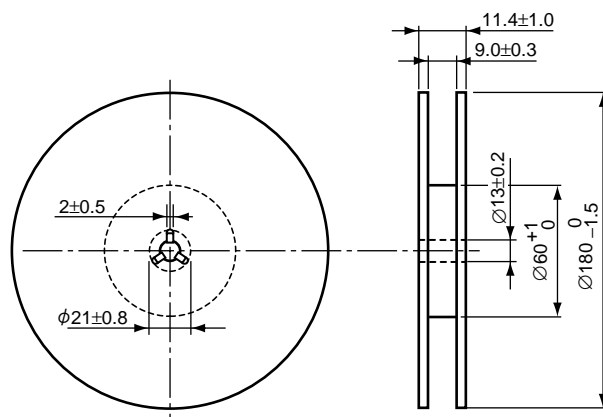


TAPING SPECIFICATION



TAPING REEL DIMENSIONS REUSE REEL (EIAJ-RRM-08Bc)

(1reel=3,000pcs)



### POWER DISSIPATION (DFN2020-8)

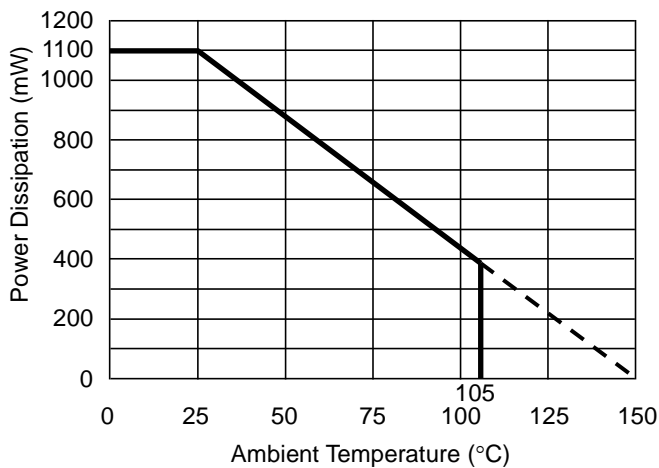
Power Dissipation ( $P_D$ ) depends on conditions of mounting on board.  
 This specification is based on the measurement at the condition below:

Measurement Conditions

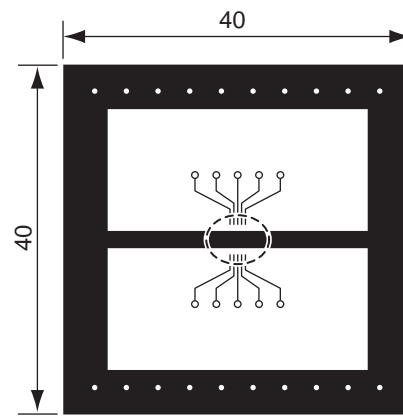
	Standard Land Pattern
Environment	Mounting on Board (Wind velocity=0m/s)
Board Material	Glass cloth epoxy plastic (Double sided)
Board Dimensions	40 mm × 40 mm × 1.6 mm
Copper Ratio	Top side : Approx. 50% , Back side : Approx. 50%
Through-holes	φ0.54 mm × 24 pcs

Measurement Results (Ta = 25°C, Tjmax = 150°C)

	Standard Land Pattern
Power Dissipation	1100 mW
Thermal Resistance	$\theta_{ja} = (150^\circ\text{C} - 25^\circ\text{C}) / 1.1 \text{ W} = 114^\circ\text{C/W}$
	$\theta_{jc} = 22.8^\circ\text{C/W}$

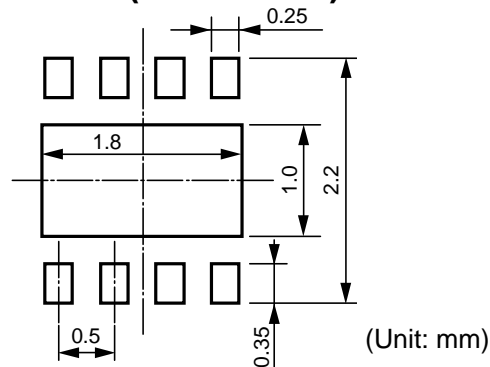


Power Dissipation vs. Ambient Temperature



IC Mount Area (Unit: mm)  
 Measurement Board Pattern

### RECOMMENDED LAND PATTERN (DFN2020-8)



(Unit: mm)