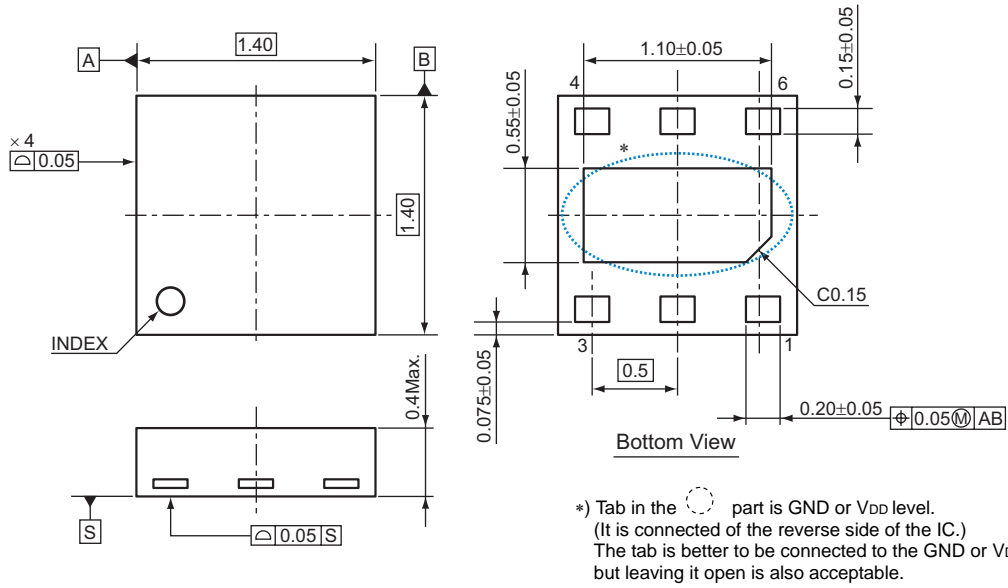


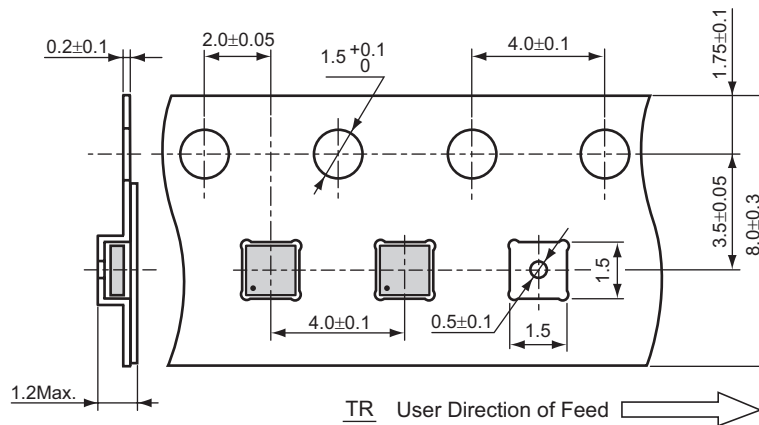
• DFN1414-6

Unit: mm

PACKAGE DIMENSIONS

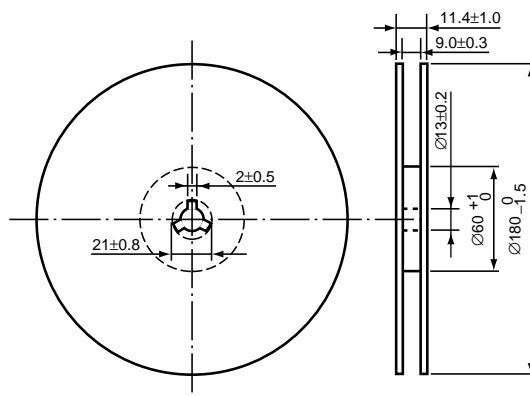


TAPING SPECIFICATION



TAPING REEL DIMENSIONS REUSE REEL (EIAJ-RRM-08Bc)

(1reel=5,000pcs)



POWER DISSIPATION (DFN1414-6)

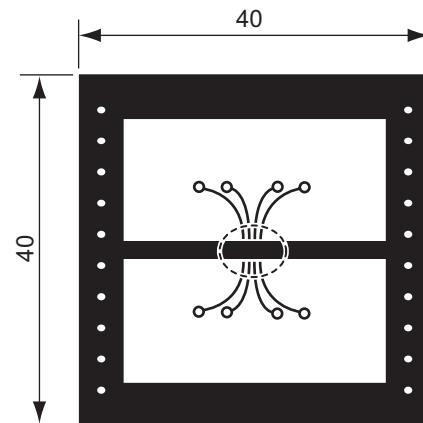
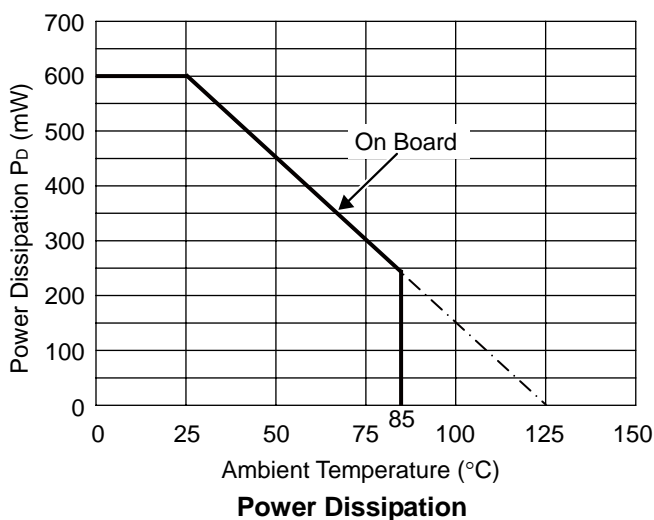
Power Dissipation (P_D) depends on conditions of mounting on board.
 This specification is based on the measurement at the condition below:
 (Power Dissipation (DFN1414-6) is substitution of DFN1212-6.)

Measurement Conditions

	Standard Land Pattern
Environment	Mounting on Board (Wind velocity=0m/s)
Board Material	Glass cloth epoxy plastic (Double sided)
Board Dimensions	40mm × 40mm × 1.6mm
Copper Ratio	Top side : Approx. 50% , Back side : Approx. 50%
Through-holes	φ0.5mm × 28pcs

Measurement Results ($T_{opt}=25^{\circ}C$, $T_{jmax}=125^{\circ}C$)

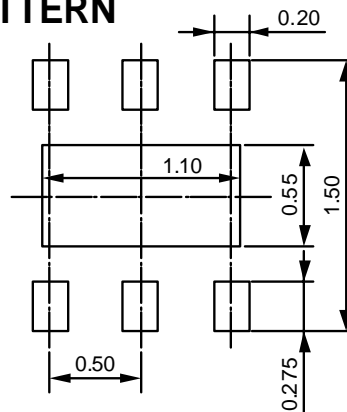
	Standard Land Pattern
Power Dissipation	600mW
Thermal Resistance	$\theta_{ja}=(125-25^{\circ}C)/0.6W=167^{\circ}C/W$
Thermal Resistance	$\theta_{jc}=30^{\circ}C/W$



Measurement Board Pattern

○ IC Mount Area (Unit: mm)

RECOMMENDED LAND PATTERN



(Unit: mm)