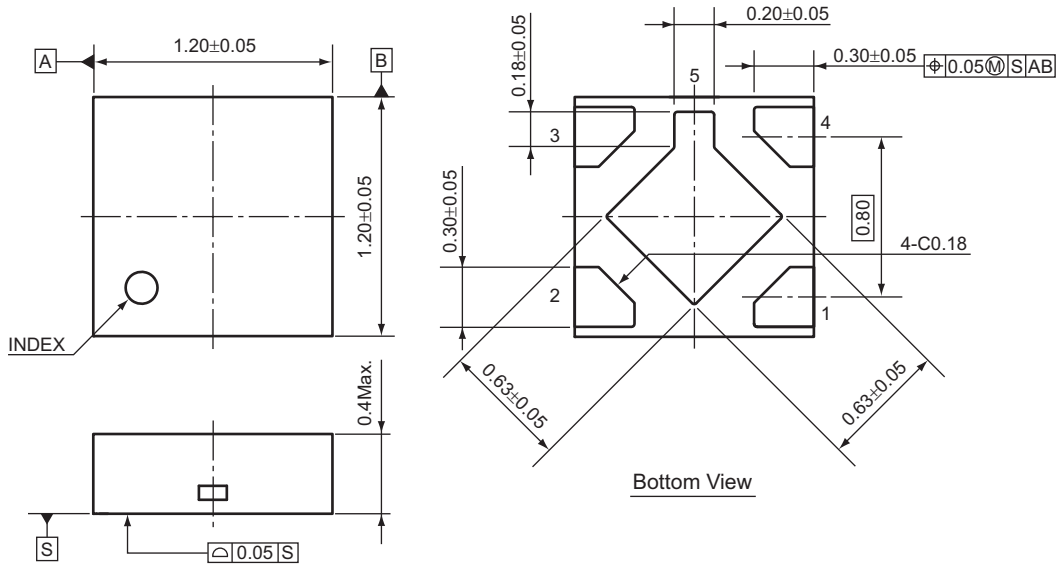


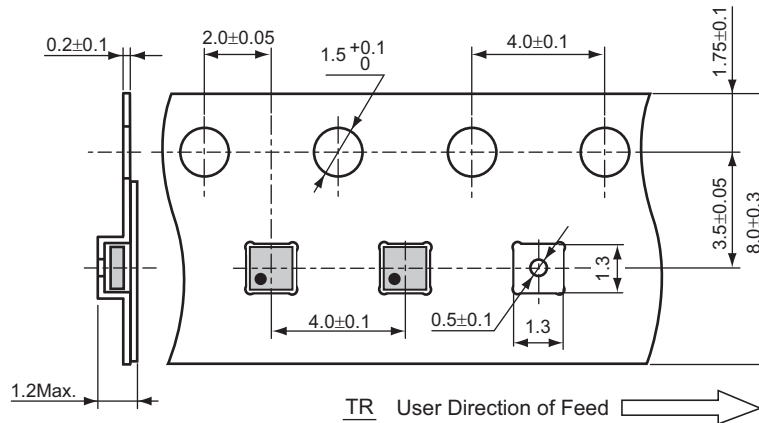
• DFN1212-5

Unit: mm

PACKAGE DIMENSIONS

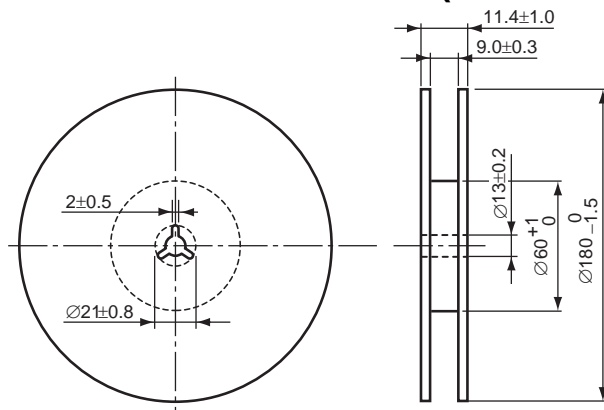


TAPING SPECIFICATION



TAPING REEL DIMENSIONS REUSE REEL (EIAJ-RRM-08Bc)

(1reel=5,000pcs)



### POWER DISSIPATION (DFN1212-5)

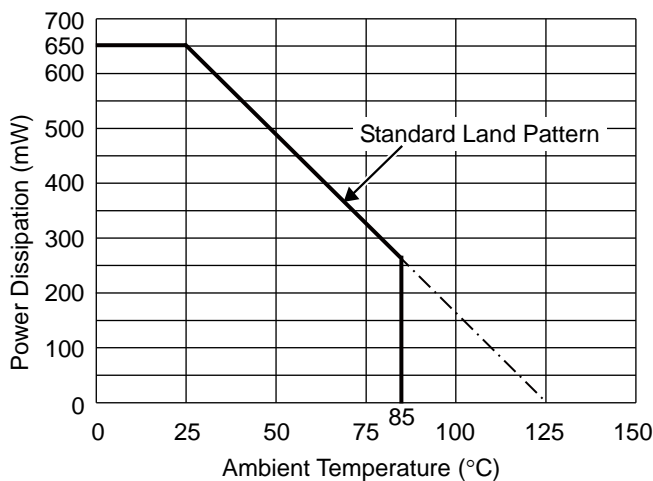
Power Dissipation ( $P_D$ ) depends on conditions of mounting on board.  
 This specification is based on the measurement at the condition below:

Measurement Conditions

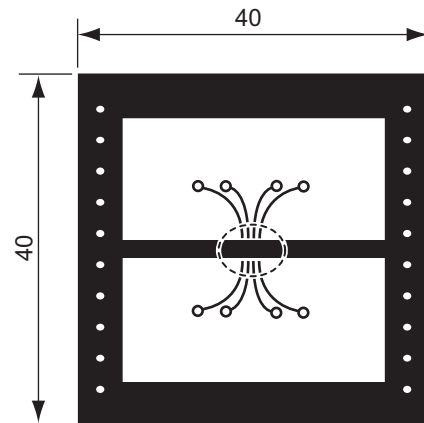
	Standard Land Pattern
Environment	Mounting on Board (Wind Velocity = 0 m/s)
Board Material	Glass Cloth Epoxy Plastic (Two-Layer Boards)
Board Dimensions	40 mm x 40 mm x 1.6 mm
Copper Ratio	Font-side, Approx. 50%    Back-side, Approx. 50%
Through-holes	$\phi$ 0.5 mm x 28 pcs

Measurement Results (Ta = 25°C, Tjmax = 125°C)

	Standard Land Pattern
Power Dissipation	650 mW
Thermal Resistance	$\theta_{ja} = (125 - 25^\circ\text{C}) / 0.65 \text{ W} = 153^\circ\text{C/W}$
	$\theta_{jc} = 30^\circ\text{C/W}$



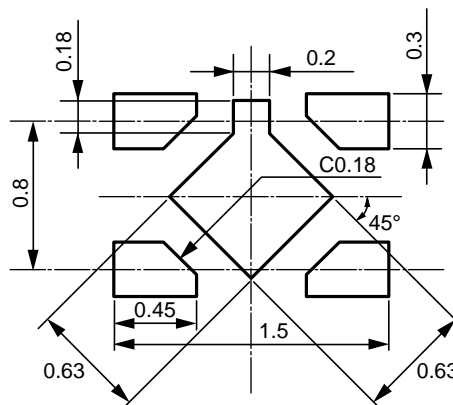
Power Dissipation vs. Ambient Temperature



IC Mount Area (Unit: mm)

Measurement Board Pattern

### RECOMMENDED LAND PATTERN



(Unit: mm)