

Power Switch IC for Express Card

■ OUTLINE

The R5535V is the power interface switch IC for single slot ExpressCard and realizes the total power management function required by ExpressCard. The R5535V distributes 3.3V, 3.3Vaux, and 1.5V to the ExpressCard socket. Each voltage line is protected with a built-in current limit circuit and a thermal shutdown circuit in the R5535V.

■ FEATURES

- Meets the Express Card™ Standard
- Built-in Over-current Limit
- Built-in Clock Enable Function
- With 3.3VIN and 3.3V AUXIN Sequence
- Package SSOP-20

■ PIN CONFIGURATION (Top view)

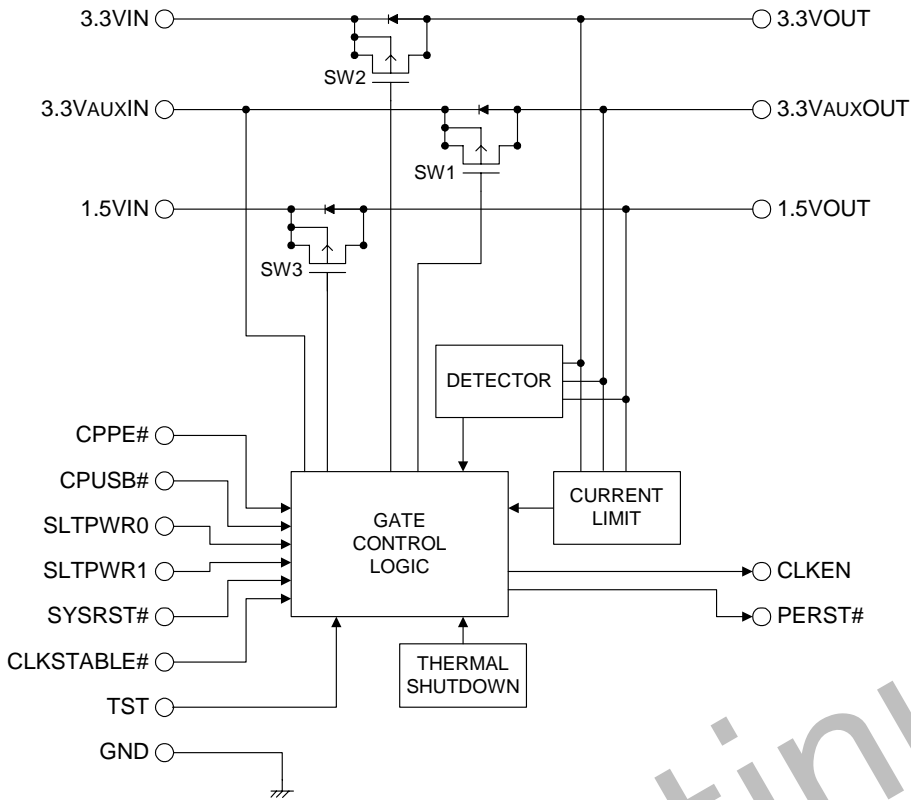
SLTPWR0	□	1	○	20	□	CPUSB#
SLTPWR1	□	2		19	□	CPPE#
SYSRST#	□	3		18	□	CLKSTABLE#
1.5VIN	□	4		17	□	1.5VOUT
1.5VIN	□	5		16	□	1.5VOUT
3.3VIN	□	6		15	□	3.3VOUT
3.3VIN	□	7		14	□	3.3VOUT
3.3VAUXIN	□	8		13	□	CLKEN
GND	□	9		12	□	PERST#
3.3VAUXOUT	□	10		11	□	TST

*Same name pins should be connected one another.

*TST pin should be connected to the GND.

Discontinued

■ BLOCK DIAGRAM



■ PIN DESCRIPTION

Symbol	Pin description
3.3VAUXIN	3.3VAUX Input Pin
3.3VIN	3.3V Input Pin
1.5VIN	1.5V Input Pin
GND	Ground Pin
CPPE#	Logic Input Pin
CPUSB#	Logic Input Pin
SLTPWR0	Logic Input Pin
SLTPWR1	Logic Input Pin
SYSRST#	Logic Input Pin
CLKSTABLE#	Logic Input Pin
3.3VOUT	3.3V Output Pin
3.3VAUXOUT	3.3VAUX Output Pin
1.5VOUT	1.5V Output Pin
PERST#	Logic Output Pin
CLKEN	Logic Output Pin
TST	Test Input Pin

■ ABSOLUTE MAXIMUM RATINGS

GND=0V

Item	Symbol	Ratings	Unit
Input Voltage (3.3V _{AUX})	3.3V _{AUXIN}	-0.3 to 5.0	V
Input Voltage (3.3V)	3.3V _{IN}	-0.3 to 5.0	V
Input Voltage (1.5V)	1.5V _{IN}	-0.3 to 2.5	V
Logic Input Voltage	V _{IN}	-0.3 to 5.0	V
TST Input Voltage	VTST	-0.3 to 5.0	V
Logic Output current	I _{LOGICOUT}	-1 to 4	mA
Output Current	I _{3.3VOUT}	>1.3A Internal Limited	
	I _{3.3VAUXOUT}	>400mA Internal Limited	
	I _{1.5VOUT}	>650mA Internal Limited	
Power Dissipation	P _D	Internal Limited	
Operating Temperature Range	T _{opt}	-40 to 85	°C
Storage Temperature Range	T _{stg}	-55 to 125	°C

[Note] Absolute maximum ratings are threshold limit values that must not be exceeded even for any moment under any conditions. More over, such values for any two or more items of the ratings must not be reached simultaneously. Operation above these absolute maximum ratings may cause degradation or fatal damage to the device. These mean stress ratings and do not necessarily imply functional operation below these limits.

Discontinued

ELECTRICAL CHARACTERISTICS

T_{opt}=25°C

Item	Symbol	Conditions	Min.	Typ.	Max.	Unit
Supply Voltage(3.3V _{AUX})	3.3V _{AUXIN}		3.0	3.3	3.6	V
Supply Voltage(3.3V _{IN})	3.3V _{IN}		3.0	3.3	3.6	V
Supply Voltage(1.5V)	1.5V _{IN}		1.35	1.50	1.65	V
Supply Current	I _{CCAUX}	Output pins: Open		45	90	μA
	I _{SLPAUX}	Sleep Mode, Output=0V		0.3	10	μA
	I _{CC3.3V}	Output pins: Open		15	30	μA
	I _{SLP3.3V}	Sleep mode, Output=0V		0.2	10.0	μA
	I _{CC1.5V}	Output pins: Open		15	30	μA
	I _{SLP1.5V}	Sleep mode, Output=0V		0.5	70.0	μA
3.3V _{OUT} switch resistance	R _{o3.3V}	3.3V _{IN} =3.3V, I _{OUT} =1.3A		65		mΩ
		Select 3.3V _{OUT} =0V		500	3900	Ω
3.3V _{AUXOUT} switch resistance	R _{o3.3V_{AUX}}	3.3V _{AUXIN} =3.3V, I _{OUT} =400mA		170		mΩ
		Select 3.3V _{AUXOUT} =0V		500	3900	Ω
1.5V _{OUT} switch resistance	R _{o1.5V}	1.5V _{IN} =1.5V, I _{OUT} =650mA		70		mΩ
		Select 1.5V _{OUT} =0V		500	3900	Ω
Short Current Limit	I _{3.3VSC}	3.3V _{OUT} =0V	1.3	2.0		A
	I _{3.3V_{AUX}SC}	3.3V _{AUXOUT} =0V	0.4	0.7		A
	I _{1.5VSC}	1.5V _{OUT} =0V	0.65	1.00		A
Logic Input "H" Voltage	V _{IH}		2.0		3.9	V
Logic Input "L" Voltage	V _{IL}		-0.3		0.8	V
Logic Input Current	I _{IN}	0V < V _{IN} < 3.6V	-1		1	μA
Logic Output "H" Voltage	V _{OH}	I _{OH} =-500μA	2.6			V
Logic Output "L" Voltage	V _{OL}	I _{OL} = 2mA			0.4	V
Thermal Shutdown Temperature	T _{SD}			135		°C
3.3V _{OUT} Detector Threshold Voltage	V _{DET3.3}	At 3.3V Output falling	2.50	2.75	3.00	V
3.3V _{AUX} Detector Threshold Voltage	V _{DETAUX}	At 3.3V _{AUX} Output falling	2.50	2.75	3.00	V
1.5V _{OUT} Detector Threshold Voltage	V _{DET1.5}	At 1.5V _{OUT} Output falling	1.20	1.27	1.35	V

T_{opt}=25°C

Item	Symbol	Conditions	Min.	Typ.	Max.	Unit
3.3VAUXOUT Turn-on Delay Time	t 1	3.3VAUXOUT=0V to 10% of 3.3V		0.2	10.0	ms
3.3VOUT Turn-on Delay Time	t 2	3.3VOUT=90% of 3.3VAUXOUT to 10% of 3.3VOUT	1	3	20	ms
1.5VOUT Turn-on Delay Time	t 3	1.5VOUT=0V to 10% of 1.5V		1.8	10.0	ms
3.3VAUXOUT Rising Time	t 4	3.3VAUXOUT=10% to 90% of 3.3V	0.1	1.0	10.0	ms
3.3VOUT Rising Time	t 5	3.3VOUT=10% to 90% of 3.3V	0.1	1.5	10.0	ms
1.5VOUT Rising Time	t 6	1.5VOUT=10% to 90% of 1.5V	0.1	1.0	20.0	ms
3.3VAUXOUT Turn-off Delay Time	t 7	3.3VAUXOUT=10% of 3.3VOUT to Hi-Z of 3.3VAUXOUT	1	3	20	ms
3.3VOUT Turn-off Delay Time	t 8	3.3VOUT=3.3V to Hi-Z		3	20	ms
1.5VOUT Turn-off Delay Time	t 9	1.5VOUT=1.5V to Hi-Z		3	20	ms
3.3VAUXOUT Falling Time	t 10	3.3VAUXOUT=90% to 10% of 3.3V	0.1	0.6	10.0	ms
3.3VOUT Falling Time	t 11	3.3VOUT=90% to 10% of 3.3V	0.1	0.6	10.0	ms
1.5VOUT Falling Time	t 12	1.5VOUT=90% to 10% of 1.5V	0.1	1.0	20.0	ms
PERST# Rising Delay Time against OUT="On"	t 20	From all output voltage reaches each spec to the rising edge of PERST#	1.0	2.5	10.0	ms
PERST# Falling Delay Time against OUT="Off" or Reset State	t 21	From changing the logic input to falling edge of PERST#		1	10	μs
PERST# Delay Time against SYSRST# rising edge	t 22		110	400	1200	μs
PERST# Delay Time against OUT="Fail"	t 23	From falling an output down to out of spec, to falling edge of PERST#		250	500	ns
PERST# "L" period	t 24		100	400	1200	μs
CLKEN Rising Delay Time	t 25			1	10	μs
CLKEN Falling Delay Time	t 26		20	60	200	μs
PERST# Rising Delay Time against CLKSTABLE# Falling Edge	t 27		100	400	1200	μs
PERST# Falling Delay Time against CLKSTABLE# Rising Edge	t 28			1	10	μs

(*Note 1) t2,t3,t5,t6,t8,t9,t11,t12: Test Condition: RL=10Ω

(*Note 2) t1,t4,t7,t10: Test Condition: RL=40Ω

(*Note3) Do not apply to current limit or thermal shutdown conditions during t7, t8, and t9.

(*Note4) t20, t21, t22, t23, t24, t25, t26, t27, t28: Test Condition: CL=100pF

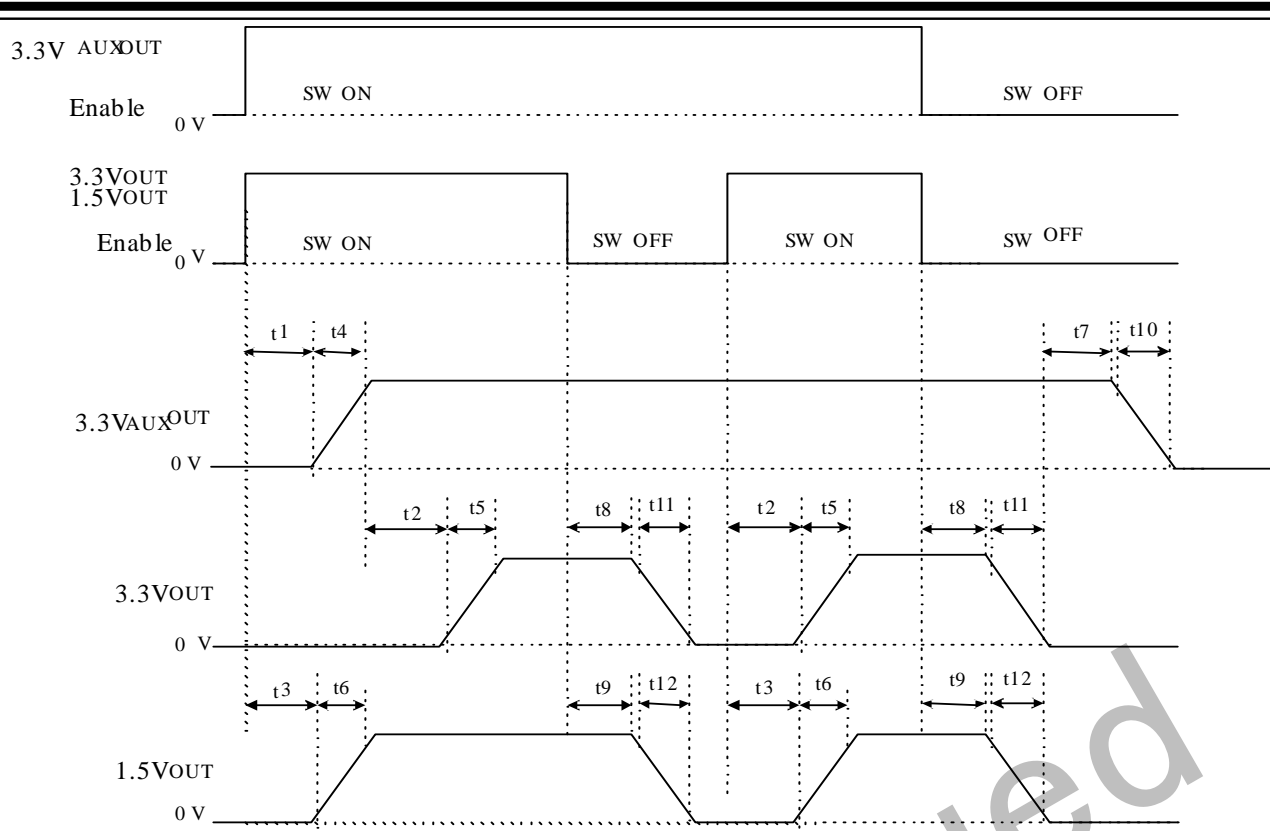


Figure 1. OUT Timing Chart

Discontinued

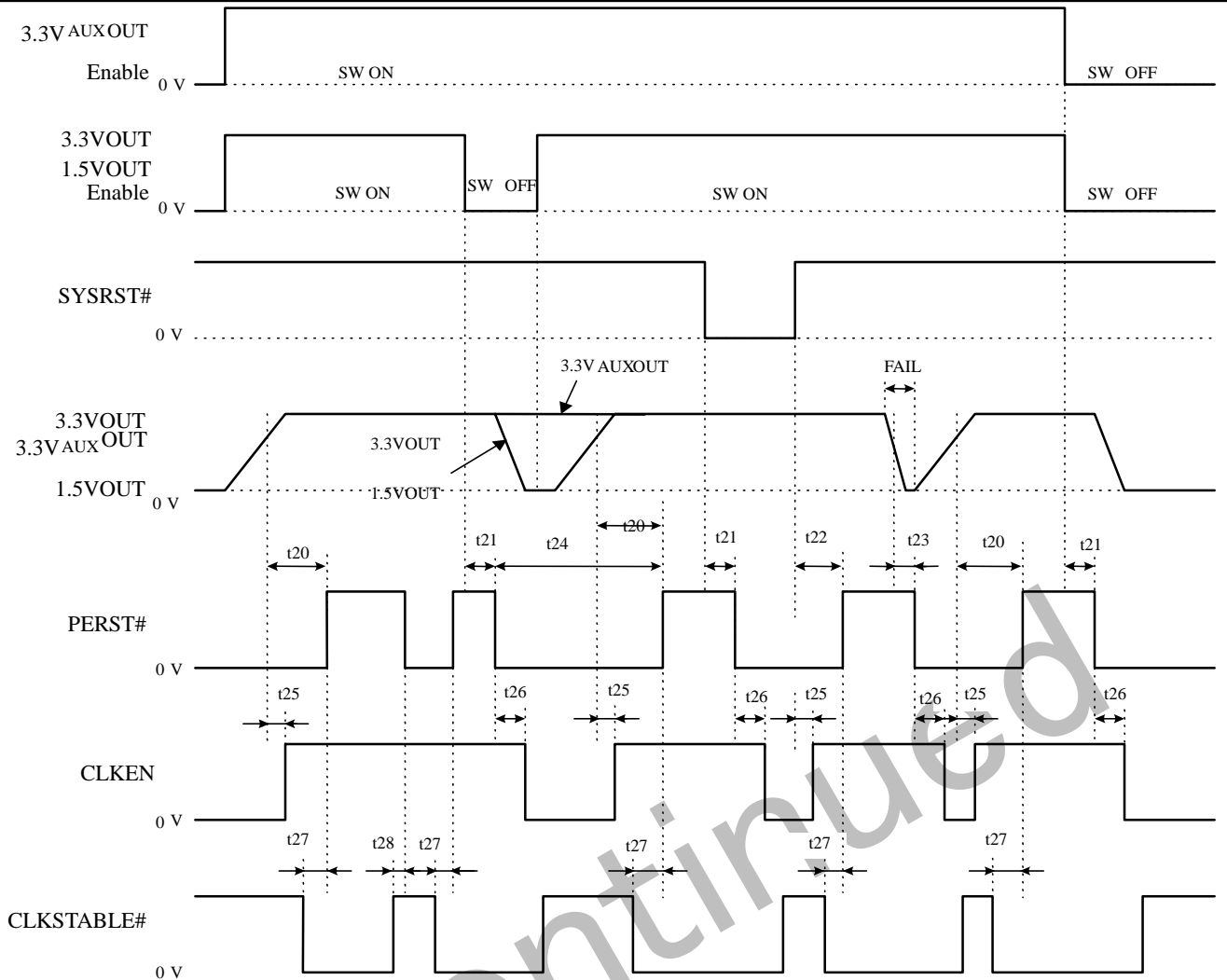


Fig. 2 PERST#, CLKEN, CLKSTABLE# Timing Chart

R5535 Control Logic Table

System Power State		CPUSB#	CPPE#	3.3VAUX OUT	3.3VOUT	1.5VOUT
SLTPWR1 (Primary)	SLTPWR0 (Auxiliary)					
0	0	X	X	0V	0V	0V
1	1	1	1	0V	0V	0V
1	1	1	0	3.3V	3.3V	1.5V
1	1	0	1	3.3V	3.3V	1.5V
1	1	0	0	3.3V	3.3V	1.5V
0	1	1	1	0V	0V	0V
0	1	1(*Note1)	0(*Note1)	3.3V	0V	0V
0	1	0(*Note1)	1(*Note1)	3.3V	0V	0V
0	1	0(*Note1)	0(*Note1)	3.3V	0V	0V
0	1	1(*Note2)	0(*Note2)	0V	0V	0V
0	1	0(*Note2)	1(*Note2)	0V	0V	0V
0	1	0(*Note2)	0(*Note2)	0V	0V	0V
1	0	X	X	0V	0V	0V

X: 1 or 0

(*Note 1) In case that CPUSB# and CPPE# are asserted before this system power state.

(*Note 2) Even if CPUSB# or CPPE# are asserted after this system power state, each output keeps the change off the previous state.

OPERATION

When both SLTPWR0 and SLTPWR1 are "0", the IC enters the sleep state, and consumption current is decreased to 1.0 μ A (Typ.).

If OUT is shorted to GND, and the over-current limit continues, the IC temperature is rising. If the IC temperature inside is beyond 135°C(Typ.), then the switch transistor is off. Then, when the IC temperature decreases by 10°C from the point, the switch transistor is on again. Unless the cause of the over-current is removed or switch is disabled, the switch transistor repeats on and off.

The short current limit is set internally in this IC. There are two cases for the response at the over-current.

(Case 1) If OUT pin is short or connected to a very large load and the switch is enabled, the switch enters the constant current mode immediately. The current value at the constant current mode is the short current limit value.

(Case 2) If the switch transistor is on and OUT is short or connected to a very large load, a large transient current flows until the current limit circuit responds. The transient current depends on the impedance between the voltage suppliers of this IC and the output loading, in other words, the voltage supplier's transient characteristic, the PCB layout, and the card connector. After the current limit circuit responds, the IC enters the constant current state, and the current level is specified as the short current limit value.

If CPPE#="1", then PERST#="0".

The rising delay time of PERST# depends on the longest time among t20, t22, and t27. For example, if the rising edge of CLKEN is synchronized with the falling edge of CLKSTABLE#, $t_{25}+t_{27}<t_{20}$ is true, therefore, the rising delay time of PERST# is determined as t20.

If 3.3VOUT=0V, then 3.3VIN can be turned off.

APPLICATION NOTES

* Same name pins should be connected one another.

* There is a parasitic diode between source and drain of the switch transistors. (Refer to the block diagram.) Therefore, even if the switch may be disabled, in case the OUT voltage is higher than the power supply voltage, some current flows from OUT to the input side.

* Connect TST to the GND.

*3.3VIN and 3.3VAUXIN can be connected.



1. The products and the product specifications described in this document are subject to change or discontinuation of production without notice for reasons such as improvement. Therefore, before deciding to use the products, please refer to Ricoh sales representatives for the latest information thereon.
2. The materials in this document may not be copied or otherwise reproduced in whole or in part without prior written consent of Ricoh.
3. Please be sure to take any necessary formalities under relevant laws or regulations before exporting or otherwise taking out of your country the products or the technical information described herein.
4. The technical information described in this document shows typical characteristics of and example application circuits for the products. The release of such information is not to be construed as a warranty of or a grant of license under Ricoh's or any third party's intellectual property rights or any other rights.
5. The products listed in this document are intended and designed for use as general electronic components in standard applications (office equipment, telecommunication equipment, measuring instruments, consumer electronic products, amusement equipment etc.). Those customers intending to use a product in an application requiring extreme quality and reliability, for example, in a highly specific application where the failure or misoperation of the product could result in human injury or death (aircraft, spacevehicle, nuclear reactor control system, traffic control system, automotive and transportation equipment, combustion equipment, safety devices, life support system etc.) should first contact us.
6. We are making our continuous effort to improve the quality and reliability of our products, but semiconductor products are likely to fail with certain probability. In order to prevent any injury to persons or damages to property resulting from such failure, customers should be careful enough to incorporate safety measures in their design, such as redundancy feature, fire containment feature and fail-safe feature. We do not assume any liability or responsibility for any loss or damage arising from misuse or inappropriate use of the products.
7. Anti-radiation design is not implemented in the products described in this document.
8. The X-ray exposure can influence functions and characteristics of the products. Confirm the product functions and characteristics in the evaluation stage.
9. WLCSP products should be used in light shielded environments. The light exposure can influence functions and characteristics of the products under operation or storage.
10. There can be variation in the marking when different AOI (Automated Optical Inspection) equipment is used. In the case of recognizing the marking characteristic with AOI, please contact Ricoh sales or our distributor before attempting to use AOI.
11. Please contact Ricoh sales representatives should you have any questions or comments concerning the products or the technical information.



Ricoh is committed to reducing the environmental loading materials in electrical devices with a view to contributing to the protection of human health and the environment.

Ricoh has been providing RoHS compliant products since April 1, 2006 and Halogen-free products since April 1, 2012.

RICOH RICOH ELECTRONIC DEVICES CO., LTD.

<http://www.e-devices.ricoh.co.jp/en/>

Sales & Support Offices

RICOH ELECTRONIC DEVICES CO., LTD.

Higashi-Shinagawa Office (International Sales)
3-32-3, Higashi-Shinagawa, Shinagawa-ku, Tokyo 140-8655, Japan
Phone: +81-3-5479-2857 Fax: +81-3-5479-0502

RICOH EUROPE (NETHERLANDS) B.V.

Semiconductor Support Centre
Prof. W.H. Keesomlaan 1, 1183 DJ Amstelveen, The Netherlands
Phone: +31-20-5474-309

RICOH INTERNATIONAL B.V. - German Branch

Semiconductor Sales and Support Centre
Oberrather Strasse 6, 40472 Düsseldorf, Germany
Phone: +49-211-6546-0

RICOH ELECTRONIC DEVICES KOREA CO., LTD.

3F, Haesung Bldg, 504, Teheran-ro, Gangnam-gu, Seoul, 135-725, Korea
Phone: +82-2-2135-5700 Fax: +82-2-2051-5713

RICOH ELECTRONIC DEVICES SHANGHAI CO., LTD.

Room 403, No.2 Building, No.690 Bibo Road, Pu Dong New District, Shanghai 201203, People's Republic of China
Phone: +86-21-5027-3200 Fax: +86-21-5027-3299

RICOH ELECTRONIC DEVICES CO., LTD.

Taipei office
Room 109, 10F-1, No.51, Hengyang Rd., Taipei City, Taiwan (R.O.C.)
Phone: +886-2-2313-1621/1622 Fax: +886-2-2313-1623