

OUTLINE

The R1285L 2ch DC/DC converter is designed for OLED Display power source. It contains a step up DC/DC converter and an inverting DC/DC converter to generate two required voltages by OLED Display.

Step up DC/DC converter generates boosted output voltage to 4.6V ~ 5.0V. Inverting DC/DC converter generates negative voltage -2.0V ~ -6.0V independently. Each of the R1285 series consists of an oscillator, a PWM control circuit, a voltage reference, error amplifiers, over current protection circuits, short protection circuits, an under voltage lockout circuit (UVLO), a complete shutdown switch and an Nch driver for boost operation, a Pch driver for inverting. A high efficiency boost and inverting DC/DC converter can be composed with external inductors, diodes, capacitors and resistors. Start up sequence is internally made.

FEATURES

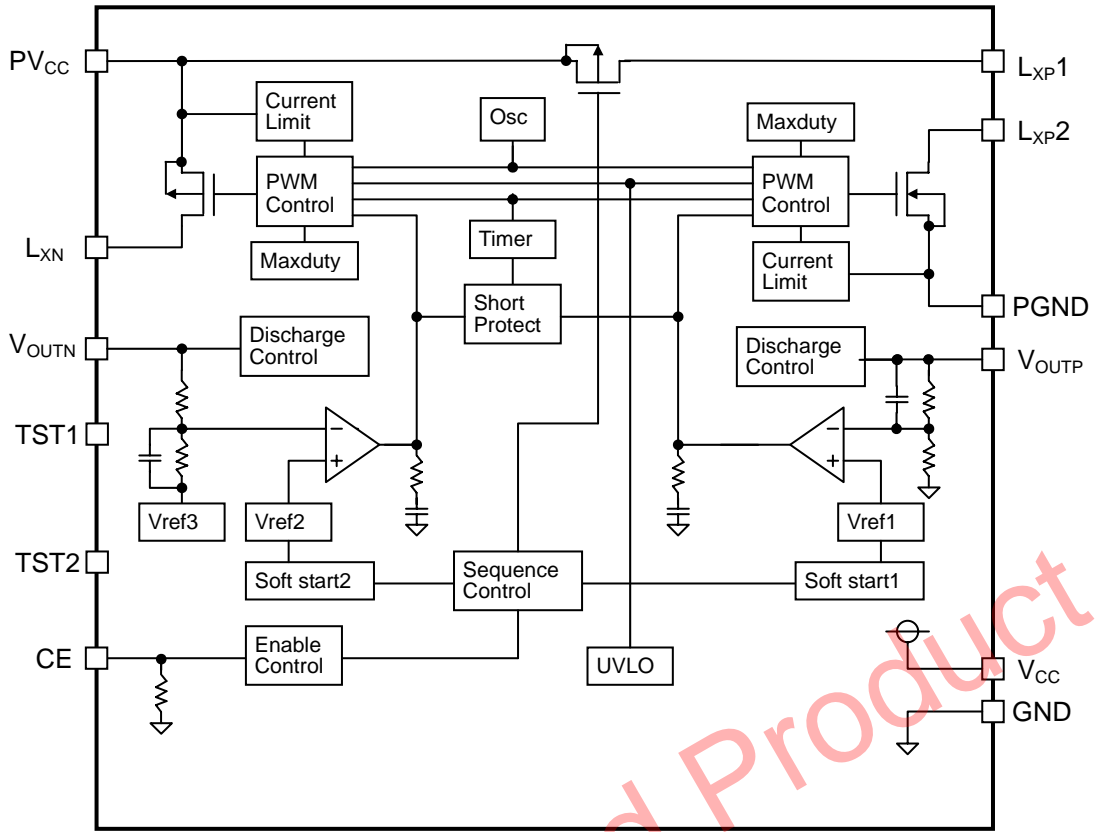
- Operating Voltage ●●●●● 2.3V ~ 4.8V
- Step Up DC/DC (CH1)
 - Internal Pch MOSFET for complete shutdown (Ron=300mΩTyp.)
 - Internal Nch MOSFET Driver (Ron=300mΩTyp.)
 - Output Voltage (V_{OUTP}) ●●●●● 4.6V ~ 5.0V (0.2VStep)
 - Auto Discharge function for positive output
 - Internal Soft start function (Typ. 4.5ms)
 - Over Current Protection
 - Maximum Duty Cycle: 85%(Typ.)
- Inverting DC/DC (CH2)
 - Internal Pch MOSFET Driver (Ron=600mΩ Typ.)
 - Output Voltage (V_{OUTN}) ●●●●● -2V ~ -6V (0.1VStep) [R1285LxxxA]
 - Adjustable Vout Up to -6V with external resistors [R1285L00xB]
 - Auto Discharge function for negative output
 - Internal Soft start function (Typ. 4.5ms)
 - Over Current Protection
 - Maximum Duty Cycle: 90%(Typ.)
- Control
 - Short Protection with timer latch function (Typ. 50ms)
 - Short condition for either or both two outputs makes all output drivers off and latches. If the maximum duty cycle continues for a certain time, these output drivers will be turned off. This function prevents irregular current from overheating the R1285 .
 - CE with start up sequence function (CH1→CH2)
 - UVLO function.
 - Operating Frequency ●●●●● 1400kHz
- Small package ●●●●● DFN2730-12

APPLICATION

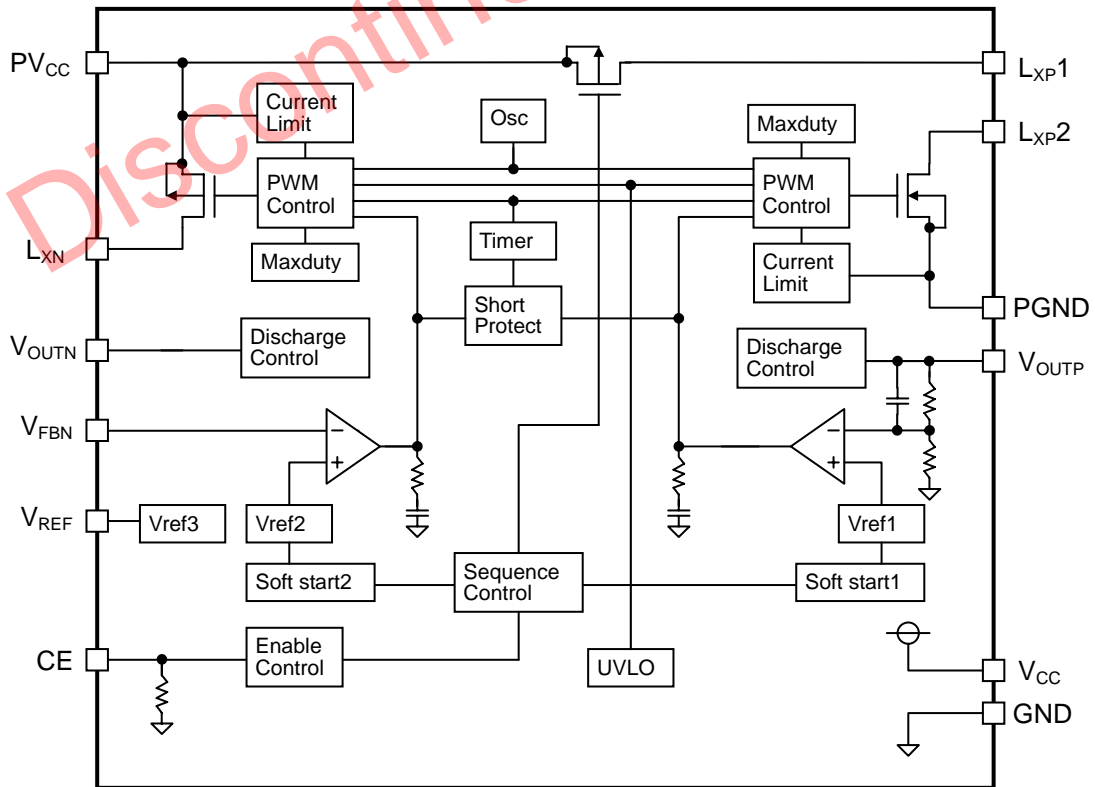
- Fixed voltage power supply for portable equipment
- Fixed voltage power supply for OLED

BLOCK DIAGRAM

●R1285LxxxA



●R1285L00xB



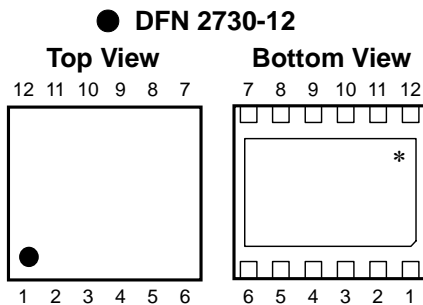
SELECTION GUIDE

The mask option for the ICs can be selected at the user's request. The selection can be made with designating the part number as shown below.

| Product Name | Package | Quantity per Reel | Pb Free | Halogen Free |
|---|------------|-------------------|---------|--------------|
| R1285Lxx*\$\$-TR | DFN2730-12 | 5,000 pcs | ○ | ○ |
| xx : Setting inverting output voltage (V_{OUTN}) Stepwise setting with a step of 0.1V in the range of -2.0V(20) to -6.0(60)V is possible for fixed output version. "00" is for Output Voltage Adjustable version. | | | | |
| * : Setting positive output voltage (V_{OUTP}) (1) 4.6V (2) 4.8V (3) 5.0V | | | | |
| \$: Designation of method of setting Inverting Voltage (A) Fixed output version (B) Adjustable version | | | | |

Discontinued Product

PIN CONFIGURATION



PIN DESCRIPTIONS

●R1285LxxxA

| PIN No. | NAME | FUNCTION |
|---------|-------------------|---|
| 1 | PGND | Power GND pin |
| 2 | V _{OUTP} | Output Voltage feedback pin for Step up DC/DC |
| 3 | PV _{CC} | Power input pin |
| 4 | V _{CC} | Analog power source input pin |
| 5 | GND | Analog GND pin |
| 6 | CE | Chip enable pin |
| 7 | TST2 | TEST pin |
| 8 | TST1 | TEST pin |
| 9 | V _{OUTN} | Output Voltage feedback pin for Inverting DC/DC |
| 10 | L _{XN} | Switching pin for Inverting DC/DC |
| 11 | L _{XP1} | Shutdown switch output pin |
| 12 | L _{XP2} | Switching pin for Step up DC/DC |

●R1285L00xB

| PIN No. | NAME | FUNCTION |
|---------|-------------------|--|
| 1 | PGND | Power GND pin |
| 2 | V _{OUTP} | Output Voltage feedback pin for Step up DC/DC |
| 3 | PV _{CC} | Power input pin |
| 4 | V _{CC} | Analog power source input pin |
| 5 | GND | Analog GND pin |
| 6 | CE | Chip enable pin |
| 7 | V _{REF} | Reference voltage output pin for Inverting DC/DC |
| 8 | V _{FBN} | Feedback pin for Inverting DC/DC |
| 9 | V _{OUTN} | Output Voltage feedback pin for Inverting DC/DC |
| 10 | L _{XN} | Switching pin for Inverting DC/DC |
| 11 | L _{XP1} | Shutdown switch output pin |
| 12 | L _{XP2} | Switching pin for Step up DC/DC |

*) Tab is GND level. (They are connected to the reverse side of this IC.)
 The tab is better to be connected to the GND, but leaving it open is also acceptable.

ABSOLUTE MAXIMUM RATINGS

(GND / PGND=0V)

| Item | Symbol | Rating | Unit |
|--|-------------------|--|------|
| V _{CC} / PV _{CC} pin Voltage | V _{CC} | -0.3 ~ 6.0 | V |
| V _{OUTP} pin Voltage | V _{OUTP} | -0.3 ~ 6.0 | V |
| CE pin Voltage | V _{CE} | -0.3 ~ V _{CC} +0.3 | V |
| L _{XP1} pin Voltage | V _{LXP1} | -0.3 ~ V _{CC} +0.3 | V |
| L _{XP2} pin Voltage | V _{LXP2} | -0.3 ~ 6.0 | V |
| L _{XN} pin Voltage | V _{LXN} | V _{CC} -14 ~ V _{CC} +0.3 | V |
| V _{OUTN} pin Voltage | V _{OUTN} | V _{CC} -14 ~ V _{CC} +0.3 | V |
| TST1/TST2 pin Voltage [R1285LxxxA] | V _{TST} | -0.3 ~ V _{CC} +0.3 | V |
| V _{FBN} pin Voltage [R1285L00xB] | V _{FBN} | -0.7 ^{*1} ~ V _{CC} +0.3 | V |
| V _{REF} pin Voltage [R1285L00xB] | V _{REF} | -0.7 ^{*1} ~ V _{CC} +0.3 | V |
| Power Dissipation | PD | 1000 | mW |
| Operating Temperature Range | T _a | -40 ~ +85 | °C |
| Storage Temperature Range | T _{stg} | -55 ~ +125 | °C |

*1) In case the voltage range is from -0.7V to -0.3V, permissible current is 10mA or less.

ABSOLUTE MAXIMUM RATINGS

Electronic and mechanical stress momentarily exceeded absolute maximum ratings may cause the permanent damages and may degrade the life time and safety for both device and system using the device in the field. The functional operation at or over these absolute maximum ratings is not assured.

ELECTRICAL CHARACTERISTICS

(Ta=25°C)

| Symbol | Item | Conditions | MIN. | TYP. | MAX. | Unit. |
|---------------------------------------|---|--|--------|--------------------------|--------|--------|
| V _{CC} | Operating Input Voltage | | 2.3 | | 4.8 | V |
| I _{CC1} | V _{CC} Consumption Current (switching) | V _{CC} =4.8V | | 4.0 | 9.1 | mA |
| I _{CC2} | V _{CC} Consumption Current (at no switching) | V _{CC} =4.8V | | 350 | 730 | uA |
| I _{STB} | Standby Current | V _{CC} =4.8V | | 0.1 | 3 | uA |
| V _{UVLO1} | UVLO Detect Voltage | Falling | 1.95 | 2.05 | 2.15 | V |
| V _{UVLO2} | UVLO Released Voltage | Rising | | V _{UVLO1} +0.10 | 2.28 | V |
| F _{OSC} | Oscillator Frequency | V _{CC} =3.7V | 1200 | 1400 | 1600 | kHz |
| T _{DLY} | Delay Time for Protection | V _{CC} =3.7V | 14 | 50 | 162 | ms |
| V _{CEL} | CE "L" Input Voltage | V _{CC} =2.3V | | | 0.3 | V |
| V _{CEH} | CE "H" Input Voltage | V _{CC} =4.8V | 1.5 | | | V |
| R _{CE} | CE pin Pulldown Resistance | V _{CC} =3.7V | 300 | 600 | 900 | kΩ |
| ■ Step-up DC/DC | | | | | | |
| V _{OUTP} | V _{OUTP} Voltage Tolerance | V _{CC} =3.7V | x0.985 | | x1.015 | V |
| ΔV _{OUTP} /ΔT | V _{OUTP} Voltage Temperature Coefficient | V _{CC} =3.7V, -40°C ≤ Ta ≤ 85°C | | ±150 | | ppm/°C |
| ΔV _{OUTP} /ΔV _{CC} | V _{OUTP} Voltage Line Regulation | 2.9V ≤ V _{CC} ≤ 3.4, I _{OUT} = 0mA | | ±4 | | mV |
| ΔV _{OUTP} /ΔI _{OUT} | V _{OUTP} Voltage Load Regulation | V _{CC} =3.7V, 10mA ≤ I _{OUT} ≤ 100mA | | ±10 | | mV |
| ΔV _{OUTP_TR} | V _{OUTP} Voltage Line Transient Response | V _{CC} =2.9V ↔ 3.4V, T _R =T _F =50us I _{OUT} = 100mA | | ±10 | | mV |
| Maxduty1 | CH1 Max. Duty Cycle | V _{CC} =3.7V | 78 | 85 | 91 | % |
| T _{SS1} | CH1 Soft-Start Time | V _{CC} =3.7V | 1.6 | 4.5 | 10 | ms |
| R _{LXP1} | L _{XP1} ON Resistance | V _{CC} =3.7V | | 300 | | mΩ |
| I _{OFF LXP1} | L _{XP1} Leakage Current | V _{CC} =4.8V, V _{LXP1} =0V | | | 5 | uA |
| R _{LXP2} | L _{XP2} ON Resistance | V _{CC} =3.7V | | 300 | | mΩ |
| I _{OFF LXP2} | L _{XP2} Leakage Current | V _{CC} =4.8V, V _{LXP2} =5V | | | 5 | uA |
| I _{LIMLXP2} | L _{XP2} Current Limit | V _{CC} =3.7V | 0.61 | 1.0 | 1.68 | A |
| I _{VOUTP} | V _{OUTP} Discharge Current | V _{CC} =3.7V, V _{OUTP} =0.1V | 2.8 | 5 | 10.3 | mA |

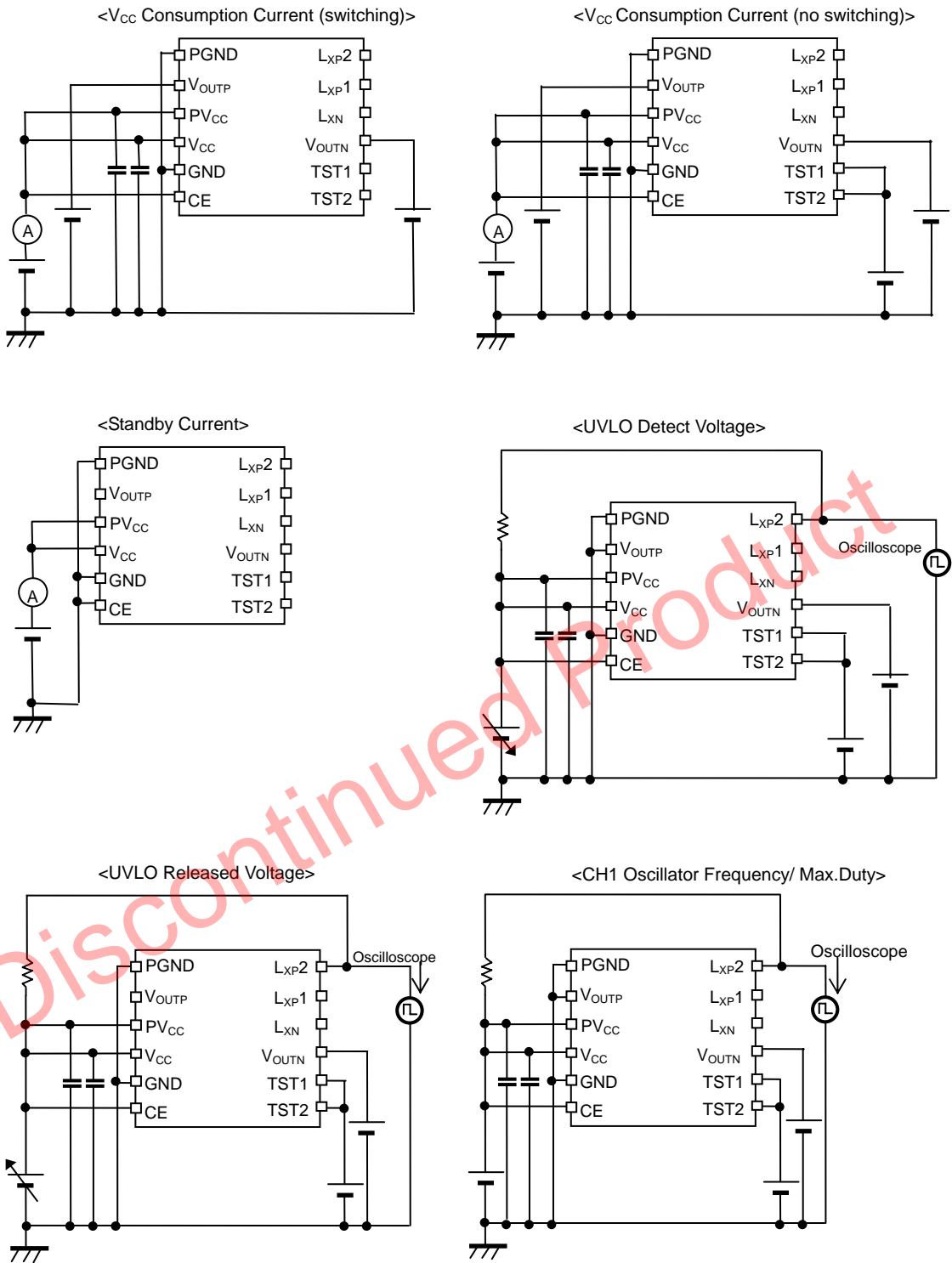
| ■ Inverting DC/DC [R1285LxxxA] | | | | | | |
|--|--|--|----------------------|--------------------|----------------------|------------------|
| V_{OUTN} | V_{OUTN} Voltage Tolerance | $V_{CC}=3.7V$ | x0.985 | | x1.015 | |
| $\frac{\Delta V_{OUTN}}{\Delta T}$ | V_{OUTN} Voltage Temperature Coefficient | $V_{CC}=3.7V, -40^{\circ}C \leq T_a \leq 85^{\circ}C$ | | ± 150 | | ppm/ $^{\circ}C$ |
| $\frac{\Delta V_{OUTN}}{\Delta V_{CC}}$ | V_{OUTN} Voltage Line Regulation | $2.9V \leq V_{CC} \leq 3.4, I_{OUT} = 0mA$ | | ± 6 | | mV |
| $\frac{\Delta V_{OUTN}}{\Delta I_{OUT}}$ | V_{OUTN} Voltage Load Regulation | $V_{CC}=3.7V, 10mA \leq I_{OUT} \leq 100mA$ | | ± 15 | | mV |
| ΔV_{OUTN_TR} | V_{OUTN} Voltage Line Transient Response | $V_{CC}=2.9V \leftrightarrow 3.4V, T_R=T_F=50\mu s$ $I_{OUT} = 100mA$ | | ± 25 | | mV |
| Maxduty2 | CH2 Max. Duty Cycle | $V_{CC}=3.7V$ | 83 | 90 | 98 | % |
| T_{SS2} | CH2 Soft-Start Time | $V_{CC}=3.7V$ | 1.6 | 4.5 | 10 | ms |
| R_{LXN} | L_{XN} ON Resistance | $V_{CC}=3.7V$ | | 600 | | m Ω |
| $I_{OFF LXN}$ | L_{XN} Leakage Current | $V_{CC}=4.8V, V_{LXN}=-6V$ | | | 5 | μA |
| I_{LIMLXN} | L_{XN} Current Limit | $V_{CC}=3.7V$ | 1.0 | 1.5 | 1.9 | A |
| I_{VOUTN} | V_{OUTN} Discharge Current | $V_{CC}=3.7V, V_{OUTN}=-0.3V$ | 25 | 40 | 59 | mA |
| ■ Inverting DC/DC [R1285L00xB] | | | | | | |
| V_{FBN} | V_{FBN} voltage tolerance | $V_{CC}=3.7V$ | -25 | 0 | 25 | mV |
| I_{FBN} | V_{FBN} input current | $V_{CC}=4.8V, V_{FBN}=0V$ or $4.8V$ | -0.1 | | 0.1 | μA |
| V_{REF} | V_{REF} voltage tolerance | $V_{CC}=3.7V$ | 1.172 + V_{FBN} | 1.2 + V_{FBN} | 1.228 + V_{FBN} | V |
| $\frac{\Delta V_{REF}}{\Delta T}$ | V_{REF} voltage temperature coefficient | $V_{CC}=3.7V$ $-40^{\circ}C \leq T_a \leq 85^{\circ}C$ | | ± 150 | | ppm/ $^{\circ}C$ |
| $\frac{\Delta V_{OUTN}}{\Delta V_{CC}}$ | V_{OUTN} Voltage Line Regulation | $2.9V \leq V_{CC} \leq 3.4, I_{OUT} = 0mA$ | | ± 6 | | mV |
| $\frac{\Delta V_{OUTN}}{\Delta I_{OUT}}$ | V_{OUTN} Voltage Load Regulation | $V_{CC}=3.7V, 10mA \leq I_{OUT} \leq 100mA$ | | ± 15 | | mV |
| ΔV_{OUTN_TR} | V_{OUTN} Voltage Line Transient Response | $V_{CC}=2.9V \leftrightarrow 3.4V, T_R=T_F=50\mu s$ $I_{OUT} = 100mA$ | | ± 25 | | mV |
| Maxduty2 | CH2 Max. Duty Cycle | $V_{CC}=3.7V$ | 83 | 90 | 98 | % |
| T_{SS2} | CH2 Soft-Start Time | $V_{CC}=3.7V$ | 1.6 | 4.5 | 10 | ms |
| R_{LXN} | L_{XN} ON Resistance | $V_{CC}=3.7V$ | | 600 | | m Ω |
| $I_{OFF LXN}$ | L_{XN} Leakage Current | $V_{CC}=4.8V, V_{LXN}=-6V$ | | | 5 | μA |
| I_{LIMLXN} | L_{XN} Current Limit | $V_{CC}=3.7V$ | 1.0 | 1.5 | 1.9 | A |
| I_{VOUTN} | V_{OUTN} Discharge Current | $V_{CC}=3.7V, V_{OUTN}=-0.3V$ | 25 | 40 | 59 | mA |

* In terms of TST pin(TST1 , TST2), connect the GND level or remain it open.

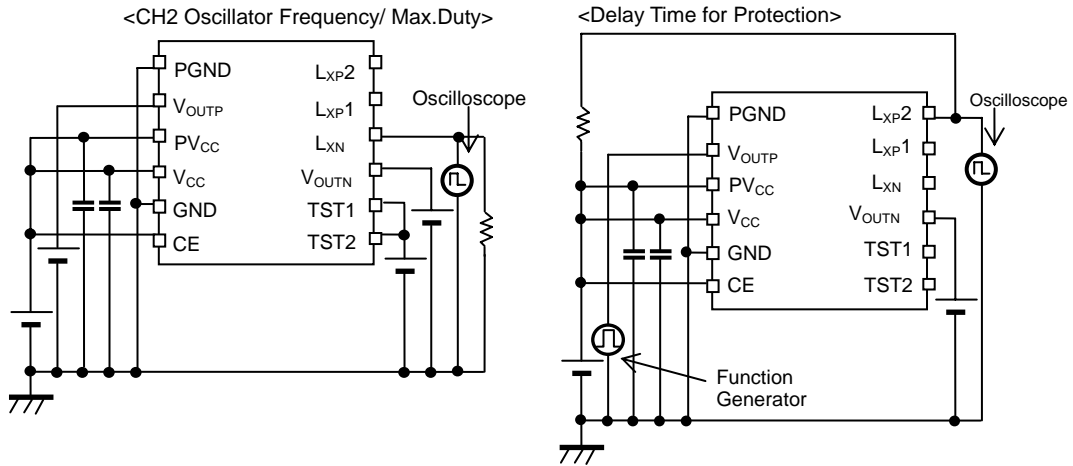
RECOMMENDED OPERATING CONDITIONS (ELECTRICAL CHARACTERISTICS)

All of electronic equipment should be designed that the mounted semiconductor devices operate within the recommended operating conditions. The semiconductor devices cannot operate normally over the recommended operating conditions, even if when they are used over such conditions by momentary electronic noise or surge. And the semiconductor devices may receive serious damage when they continue to operate over the recommended operating conditions.

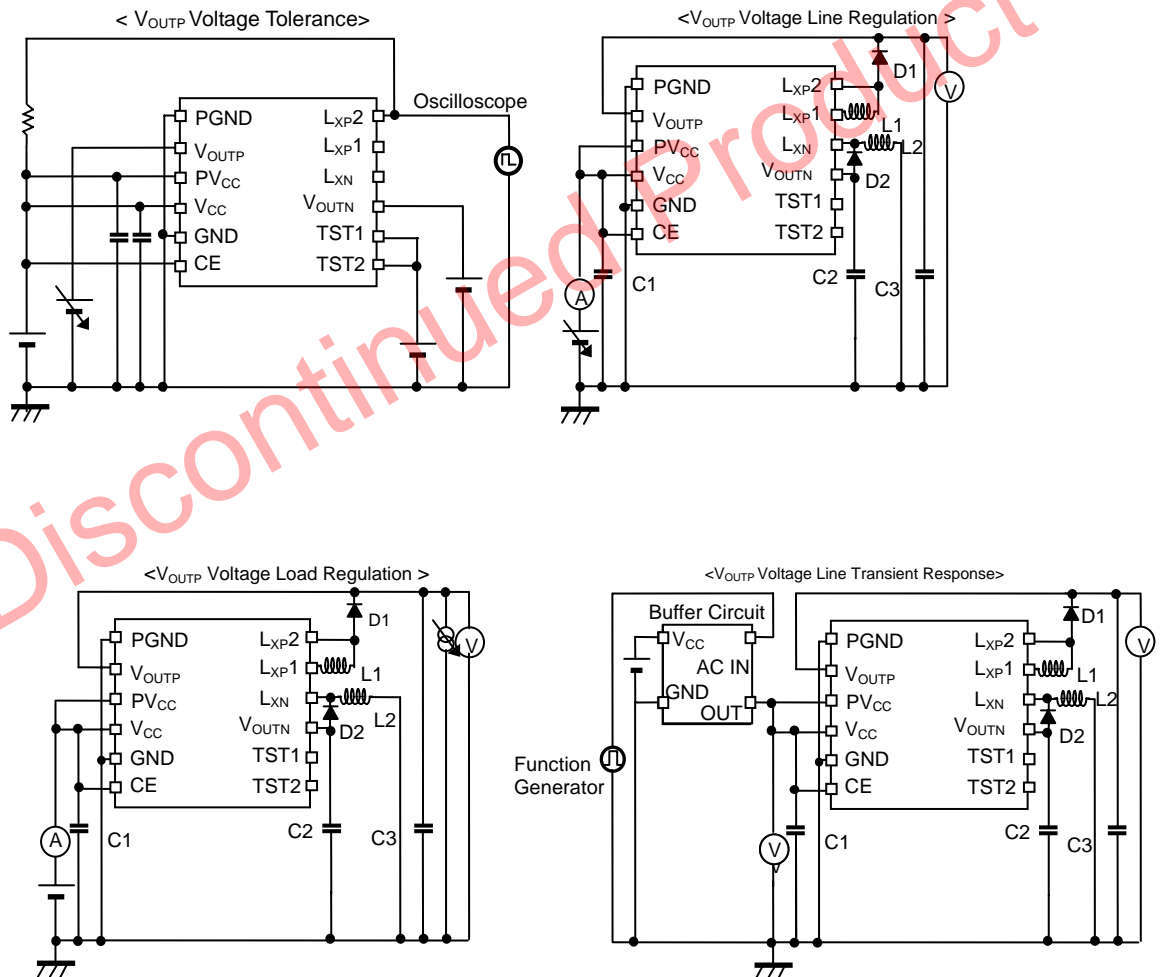
■ Test Circuits



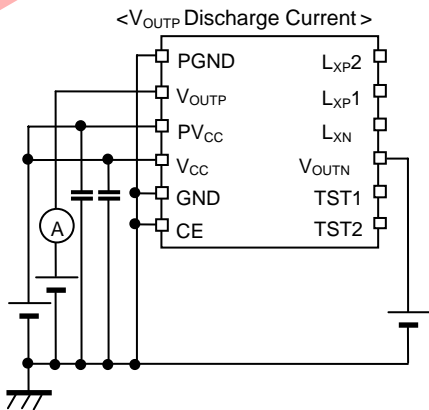
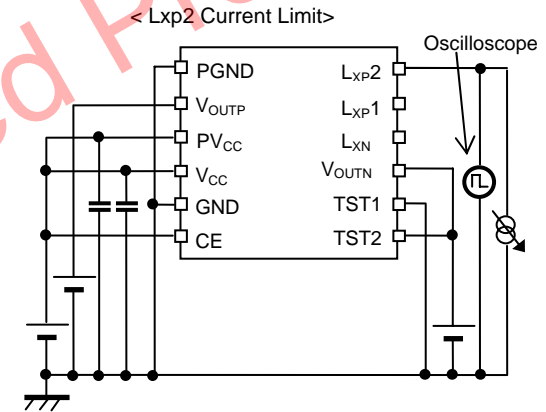
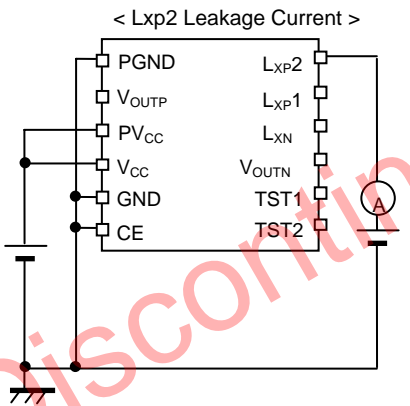
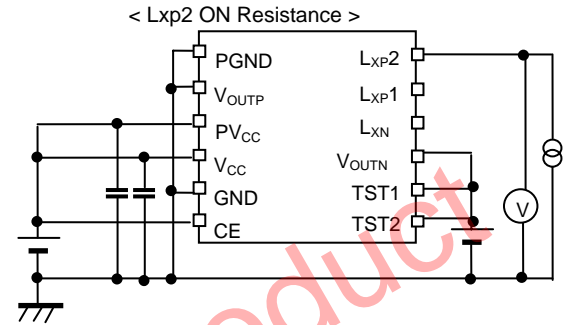
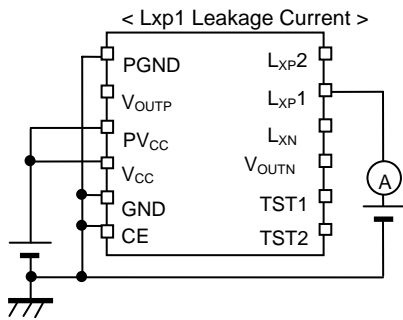
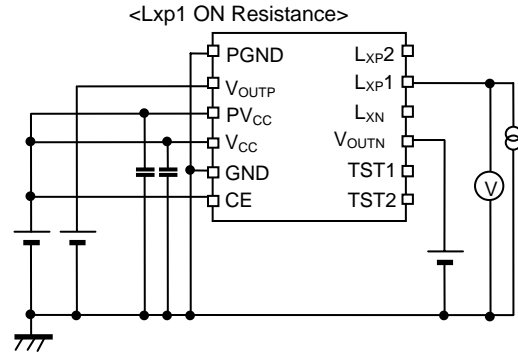
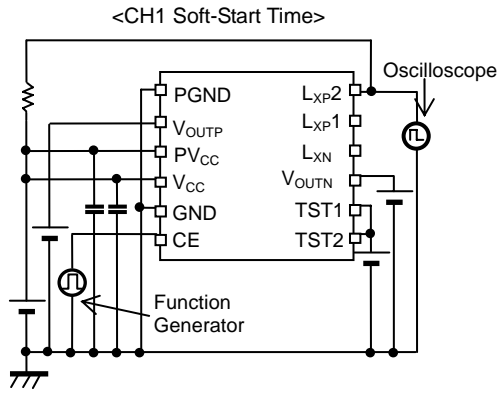
*In case of the R1285L00xB, the pin name is changed from TST1 to V_{FBN} and TST2 to V_{REF}.



■ Step-up DC/DC

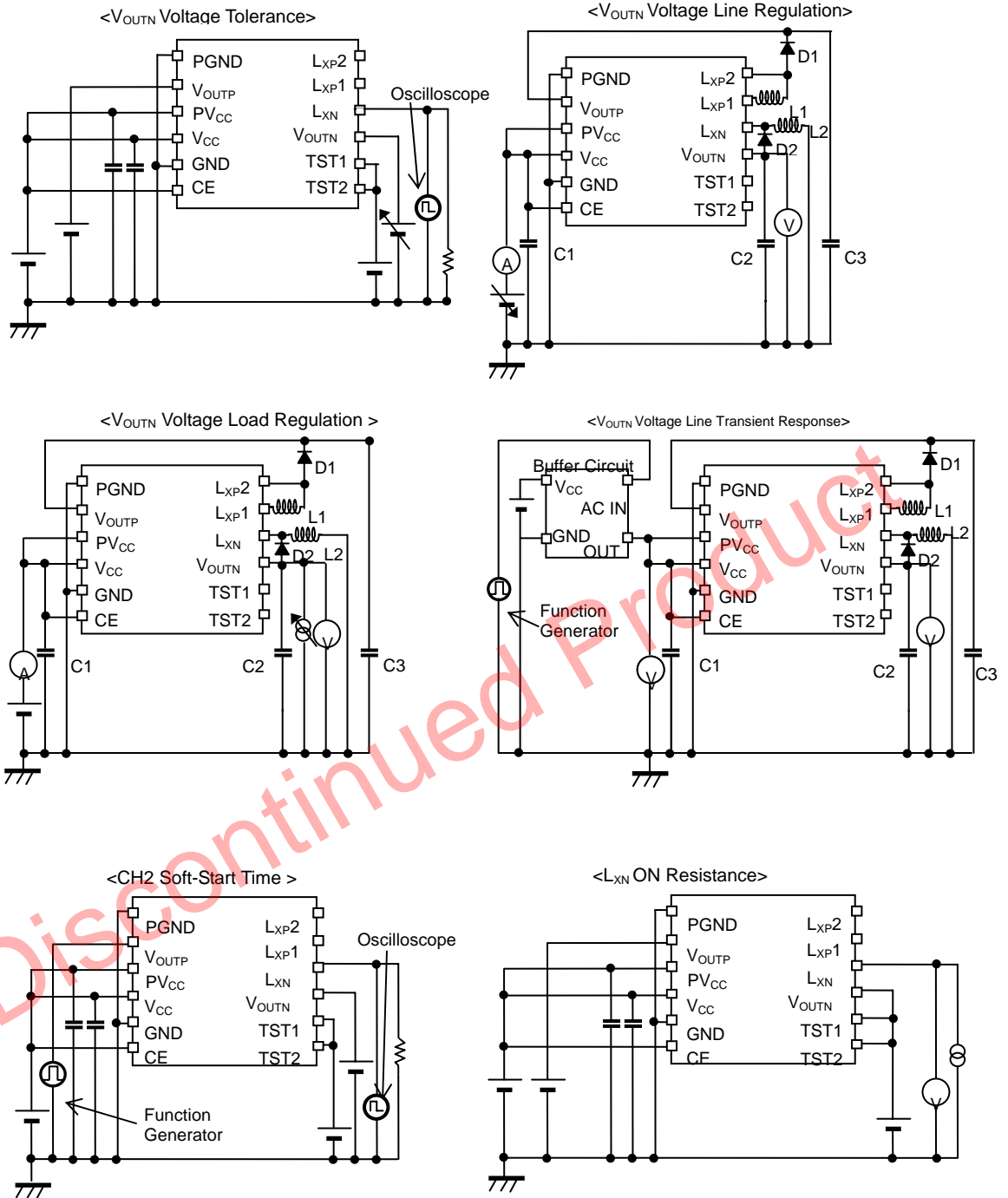


*In case of the R1285L00xB, the pin name is changed from TST1 to V_{FBN} and TST2 to V_{REF}.

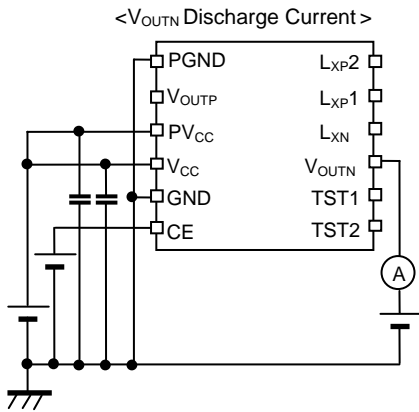
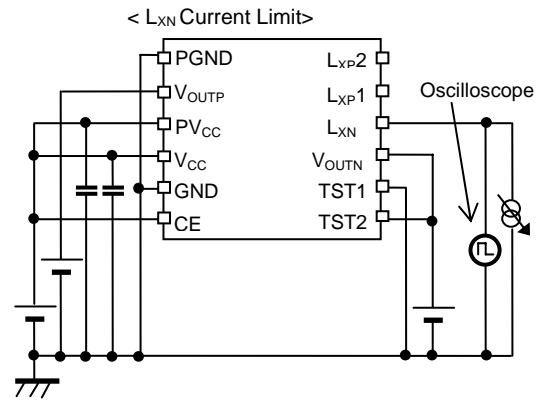
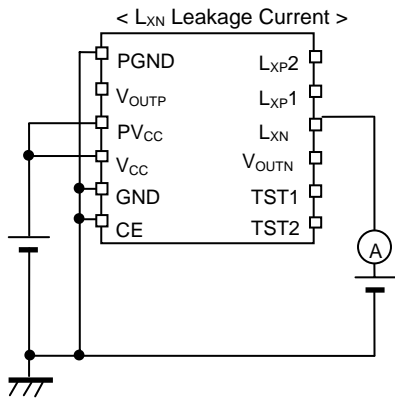


*In case of the R1285L00xB, the pin name is changed from TST1 to V_{FBN} and TST2 to V_{REF}.

■ Inverting DC/DC



*In case of the R1285L00xB, the pin name is changed from TST1 to V_{FBN} and TST2 to V_{REF}.

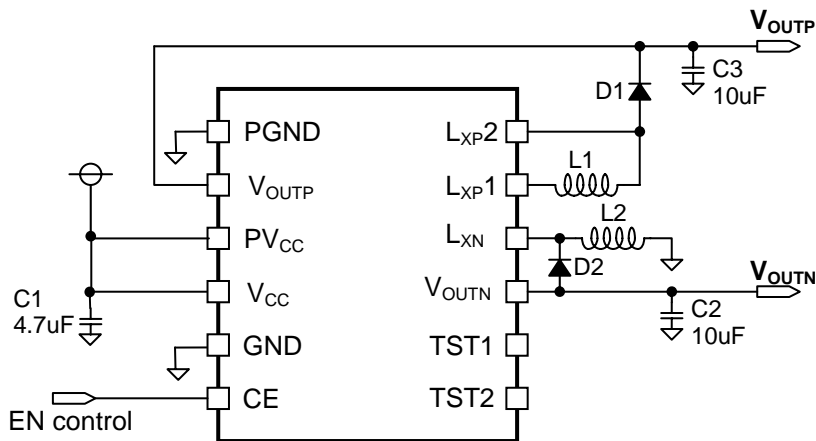


*In case of the R1285L00xB, the pin name is changed from TST1 to V_{FBN} and TST2 to V_{REF}.

Discontinued Product

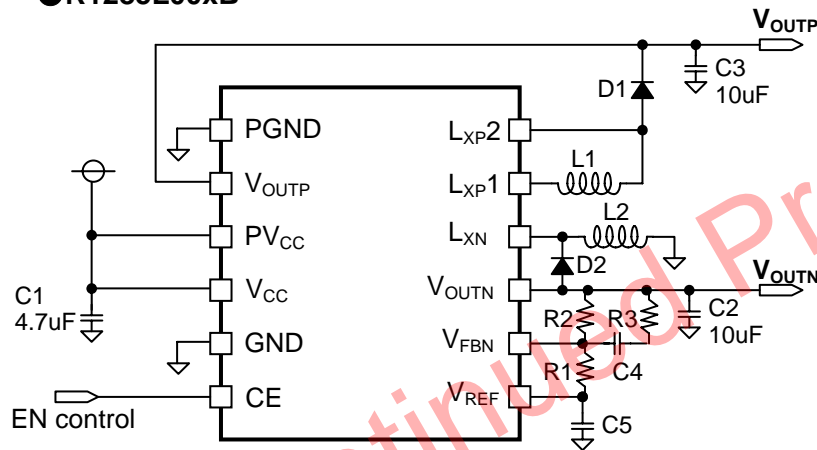
TYPICAL APPLICATION AND TECHNICAL NOTES

●R1285LxxxA



| | |
|----|--------------------------------|
| L1 | VLS252010T-4R7M (TDK) |
| L2 | VLS252010T-4R7M (TDK) |
| D1 | RSX051VA-30 (Rohm) |
| D2 | RSX051VA-30 (Rohm) |
| C1 | 4.7µF 1608size |
| C2 | CT21X5R106K10A095 (Kyocera) |
| C3 | CT21X5R106K10A095 (Kyocera) |

●R1285L00xB

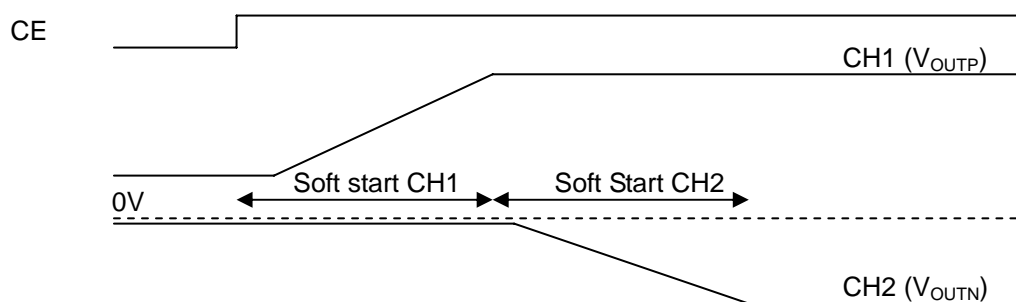


●Set a ceramic 4.7µF or more capacitor between Vcc and GND as C1.

●Set a ceramic 10µF or more capacitor between V_{OUTP} and GND, and between V_{OUTN} and GND for each as C2 and C3.

●Start up Sequence

When CE level turns from 'L' to 'H' level, the softstart of CH1 starts the operation. After detecting output voltage of CH1 (V_{OUTP}) as the nominal level, the soft start of CH2 starts the operation.

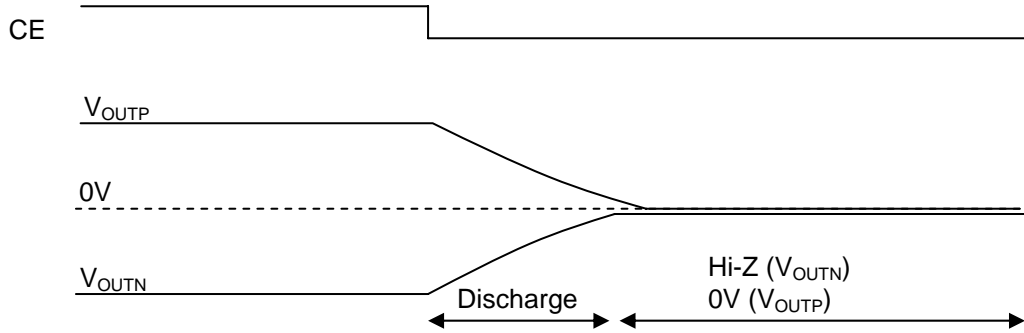


●Auto Discharge Function

When CE level turns from 'H' to 'L' level, the R1285 goes into standby mode and switching of the outputs of L_{XP2} and L_{XN} will stop. Then discharge switch between V_{OUTN} and PV_{CC} and switch between V_{OUTP} and GND turn on and discharge the negative output voltage and positive output voltage. When the negative output voltage is discharged to 0V, the switch between V_{OUTN} and PV_{CC} turns off and the negative output will be Hi-Z. Positive output voltage is discharged to 0V In standby mode.

If V_{CC} voltage became lower than UVLO detect voltage , discharge switches also turn on and discharge output voltage(V_{OUTN} and V_{OUTP}) .

In case of timer latch protection,discharge switches will keep off .

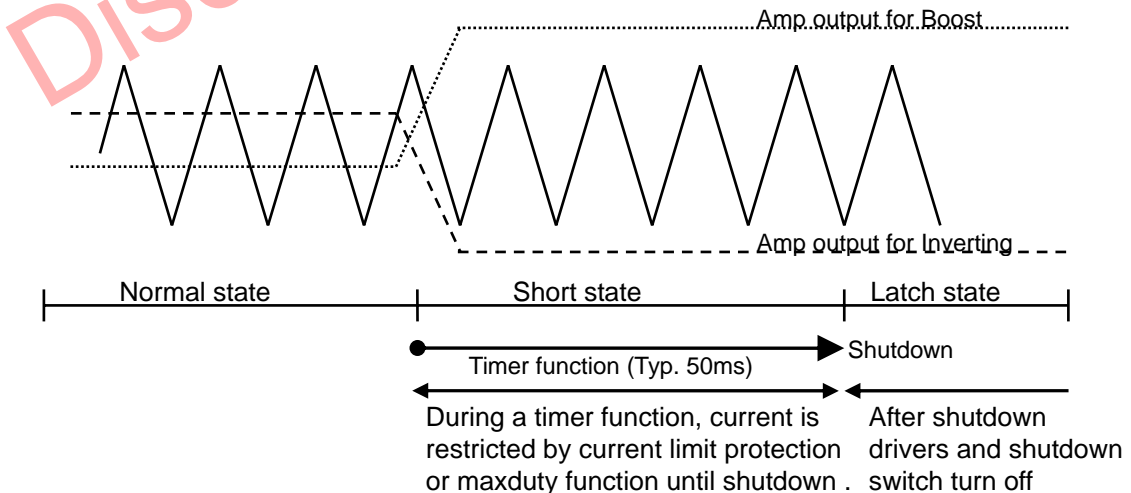


●Short protection circuit timer

In case that the voltage of V_{OUTP} drops, the error amplifier of CH1 outputs "H". In case that the voltage of V_{OUTN} rises, the error amplifier of CH2 outputs "L". The built-in short protection circuit makes the internal timer operate with detecting the output of the error amplifier of CH1 as "H", or the output of the error amplifier of CH2 as "L". After the setting time will pass, the switching of L_{XP2} and L_{XN} will stop and shutdown switch will turn off and both of discharge switches will keep off .

To release the latch operation, make the V_{CC} set equal or less than UVLO level and restart or set the CE pin as "L" and make it "H" again.

During the softstart operation of CH1and CH2, the timer operates independently from the outputs of the error amplifiers. Therefore, even if the softstart cannot finish correctly because of the short circuit, the protection timer function will be able to work correctly.



●Inverting DC/DC converter output voltage setting [R1285L00xB]

The output voltage V_{OUTN} of the inverting DC/DC converter is controlled with maintaining the V_{FBN} as 0V. V_{OUTN} can be set with adjusting the values of R1 and R2 as in the next formula.

$$V_{OUTN} = V_{FBN} - (V_{REF} - V_{FBN}) \times R2 / R1$$

DC/DC converter's phase may lose 180 degree by external components of L and C and load current. Because of this, the phase margin of the system will be less and the stability will be worse. Therefore, the phase must be gained.

A pole will be formed by external components, L and C.

$$F_{pole} \sim 1 / \{2 \times \pi \times \sqrt{(L2 \times C2)}\}$$

Zero will be formed with R2 and C4.

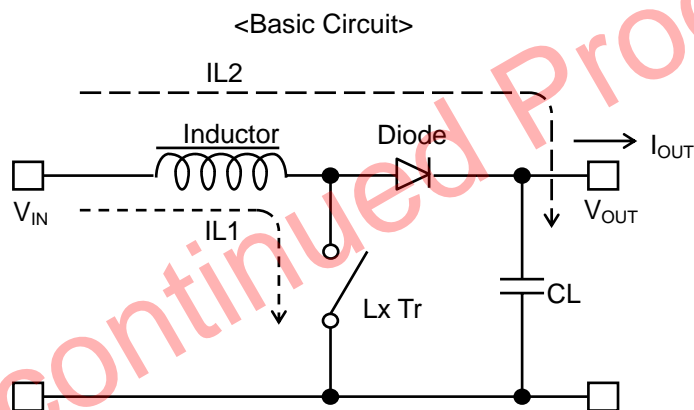
$$F_{zero} \sim 1 / (2 \times \pi \times R2 \times C4)$$

Set the cut-off frequency of the Zero close to the cut-off frequency of the pole by L and C.

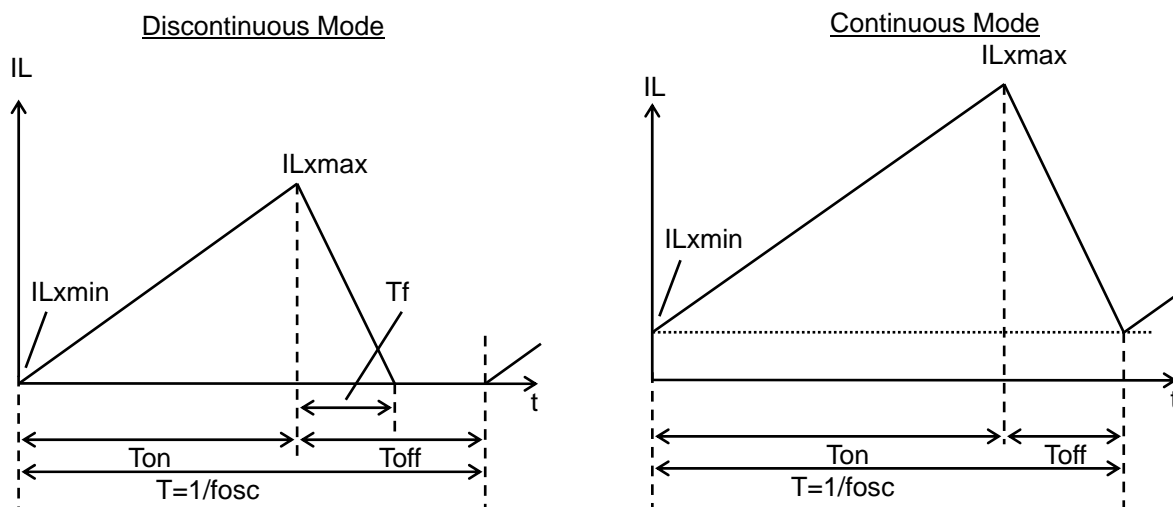
If the noise of the system is large, the output noise affects the feedback and the operation may be unstable. In that case, another resistor R3 will be set. The appropriate value range is from 1kΩ to 5kΩ.

●Set a ceramic 1μF to 2.2μF capacitor between V_{REF} and GND as C5. [R1285L00xB]

Operation of Step-up DC/DC Converter and Output Current



<Current through L>



There are two operation modes for the PWM control step-up switching regulator, that is the continuous mode and the discontinuous mode.

When the LX Tr. is on, the voltage for the inductor L will be V_{IN} . The inductor current ($IL1$) will be;
 $IL1 = V_{IN} \times T_{on} / L$ Formula1

When the Lx transistor turns off, power will supply continuously. The inductor current at off ($IL2$) will be;
 $IL2 = (V_{OUT}-V_{IN}) \times T_{f} / L$ Formula2

In terms of the PWM control, when the $T_f=T_{off}$, the inductor current will be continuous, the operation of the switching regulator will be continuous mode.

In the continuous mode, the current variation of $IL1$ and $IL2$ are same, therefore
 $V_{IN} \times T_{on} / L = (V_{OUT}-V_{IN}) \times T_{off} / L$ Formula3

In the continuous mode, the duty cycle will be
 $DUTY = T_{on} / (T_{on}+T_{off}) = (V_{OUT}-V_{IN}) / V_{OUT}$ Formula4

If the input power equals to output power,
 $I_{OUT} = V_{IN}^2 \times T_{on} / (2 \times L \times V_{OUT})$ Formula5

When I_{OUT} becomes more then Formula5, it will be continuous mode.

In this moment, the peak current, ILx_{max} flowing through the inductor is described as follows:

$ILx_{max} = I_{OUT} \times V_{OUT} / V_{IN} + V_{IN} \times T_{on} / (2 \times L)$ Formula6

$ILx_{max} = I_{OUT} \times V_{OUT} / V_{IN} + V_{IN} \times T_x (V_{OUT}-V_{IN}) / (2 \times L \times V_{OUT})$ Formula7

Therefore, peak current is more than I_{OUT} . Considering the value of ILx_{max} , the condition of input and output, and external components should be selected.

The explanation above is based on the ideal calculation, and the loss caused by Lx switch and external components is not included.

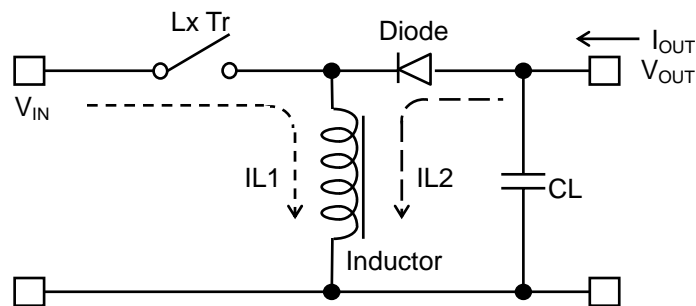
The actual maximum output current is between 50% and 80% of the calculation.

Especially, when the IL is large, or V_{IN} is low, the loss of V_{IN} is generated with on resistance of the switch.

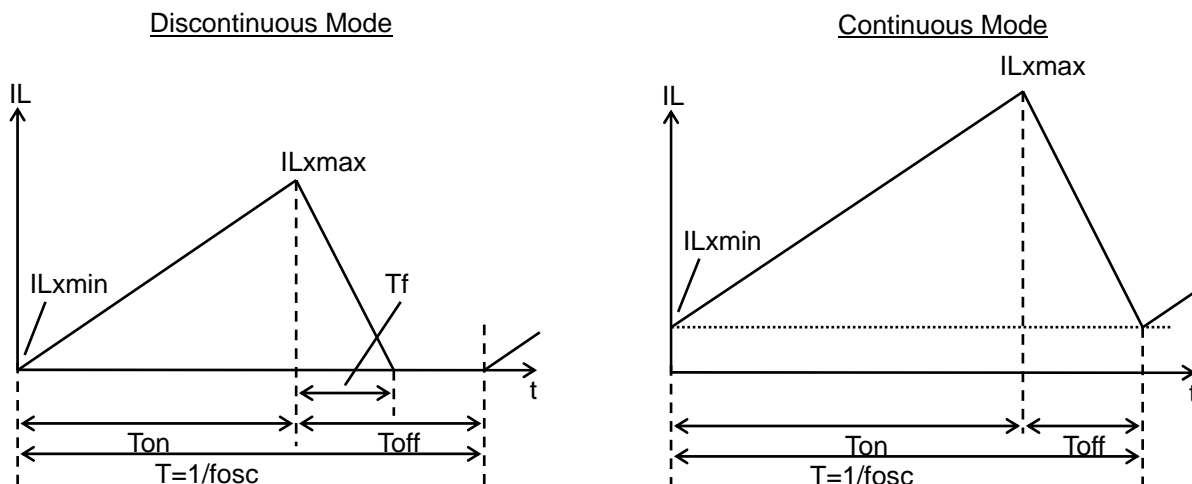
As for V_{OUT} , V_F (as much as 0.3V)of the diode should be considered.

Operation of Inverting DC/DC Converter and Output Current

<Basic Circuit>



<Current through L>



There are also two operation modes for the PWM control inverting switching regulator, that is the continuous mode and the discontinuous mode.

When the LX Tr. is on, the voltage for the inductor L will be VIN. The inductor current (IL1) will be;

$$IL1 = V_{IN} \times T_{on} / L \dots \dots \dots \text{Formula8}$$

Inverting circuit saves energy during on time of Lx Tr, and supplies the energy to output during off time, output voltage opposed to input voltage is obtained. The inductor current at off (IL2) will be;

$$IL2 = V_{OUT} \times T_f / L \dots \dots \dots \text{Formula9}$$

(The above formula and after, the absolute value of the negative output voltage is assumed to be VOUT. : Output voltage= -10V, VOUT=10)

In terms of the PWM control, when the Tf=Toff, the inductor current will be continuous, the operation of the switching regulator will be continuous mode.

In the continuous mode, the current variation of IL1 and IL2 are same, therefore

$$V_{IN} \times T_{on} / L = V_{OUT} \times T_{off} / L \dots \dots \dots \text{Formula10}$$

In the continuous mode, the duty cycle will be:

$$\text{DUTY} = T_{on} / (T_{on} + T_{off}) = V_{OUT} / (V_{OUT} + V_{IN}) \dots \dots \dots \text{Formula11}$$

If the input power equals to output power,

$$I_{OUT} = V_{IN}^2 \times T_{on} / (2 \times L \times V_{OUT}) \dots \dots \dots \text{Formula12}$$

When IOUT becomes more then Formula12 , it will be continuous mode.

In this moment ,the peak current, ILxmax flowing through the inductor is described as follows:

$$IL_{x\text{max}} = I_{OUT} \times V_{OUT} / V_{IN} + V_{IN} \times T_{on} / (2 \times L) \dots \dots \dots \text{Formula13}$$

$$IL_{x\text{max}} = I_{OUT} \times V_{OUT} / V_{IN} + V_{IN} \times V_{OUT} \times T / \{ 2 \times L \times (V_{OUT} + V_{IN}) \} \dots \dots \dots \text{Formula14}$$

Therefore, peak current is more than IOUT. Considering the value of ILxmax, the condition of input and output, and external components should be selected.

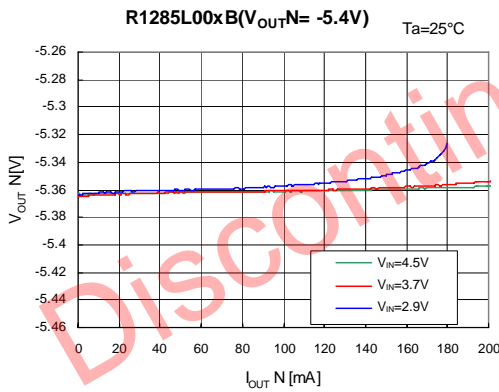
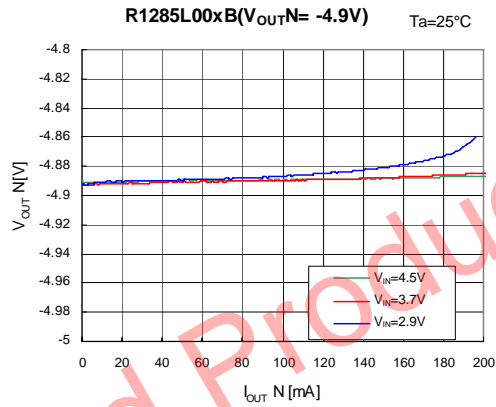
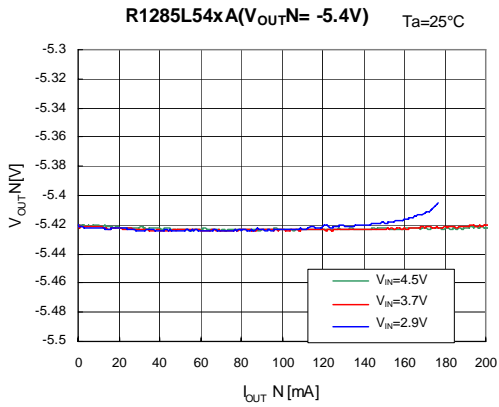
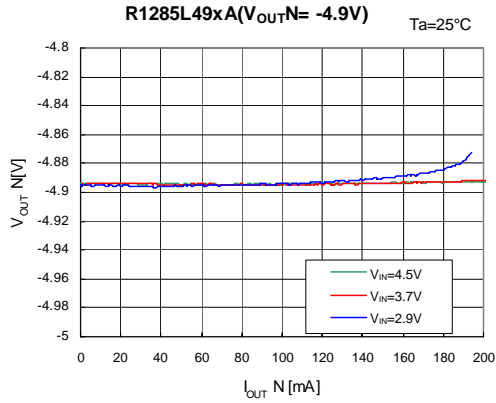
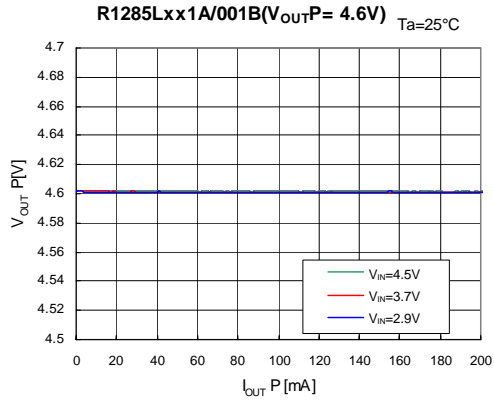
The explanation above is based on the ideal calculation, and the loss caused by Lx switch and external components is not included.

The actual maximum output current is between 50% and 80% of the calculation.

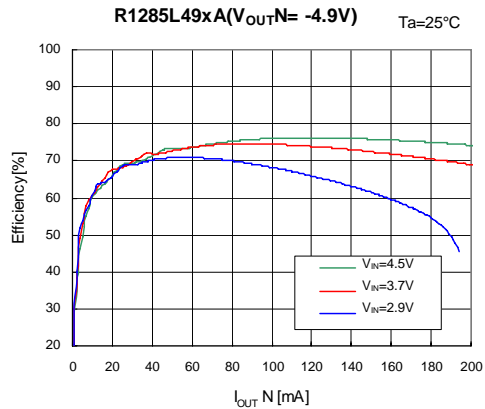
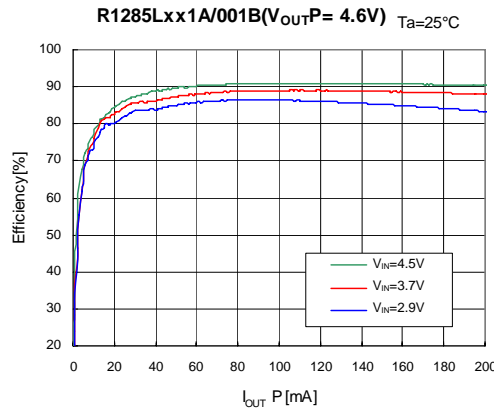
Especially, when the IL is large, or VIN is low, the loss of VIN is generated with on resistance of the switch. As for VOUT, VF(as much as 0.3V)of the diode should be considered.

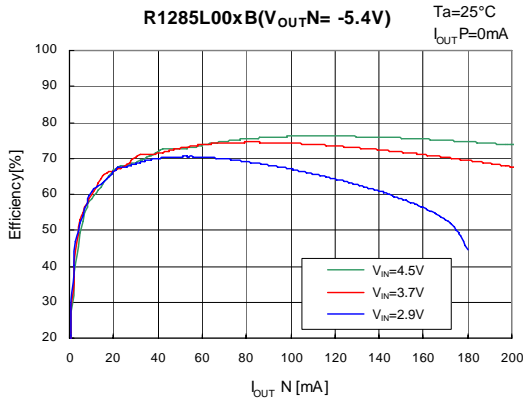
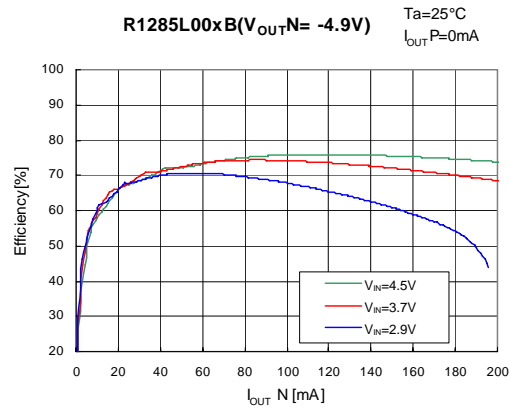
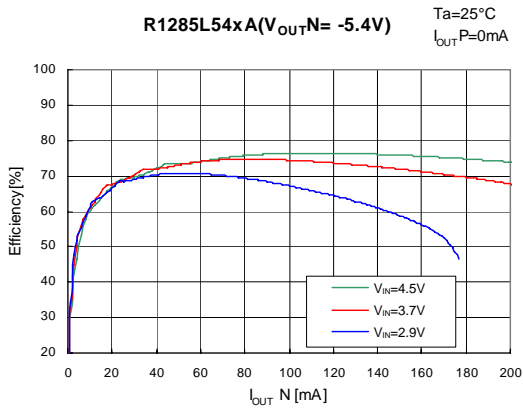
R1285LxxxX Typical Characteristics

1) Output voltage vs. Output Current

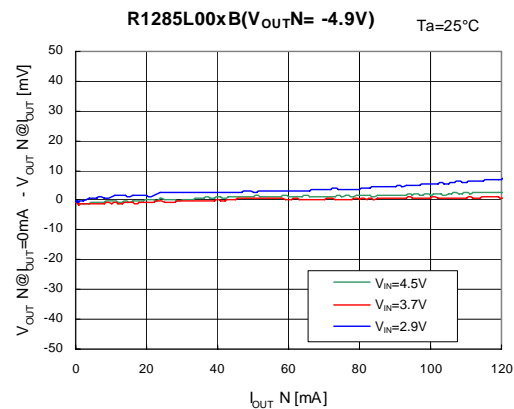
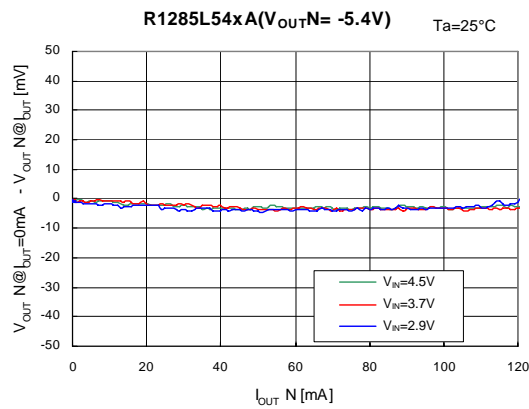
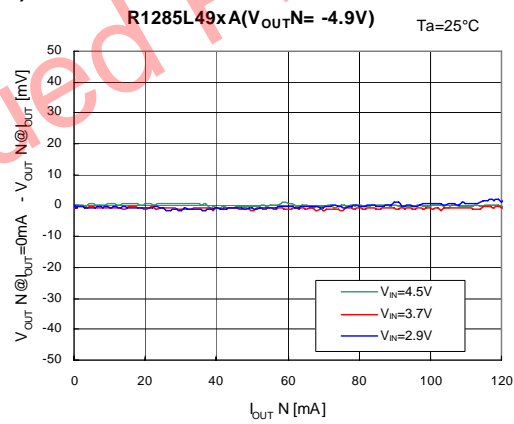
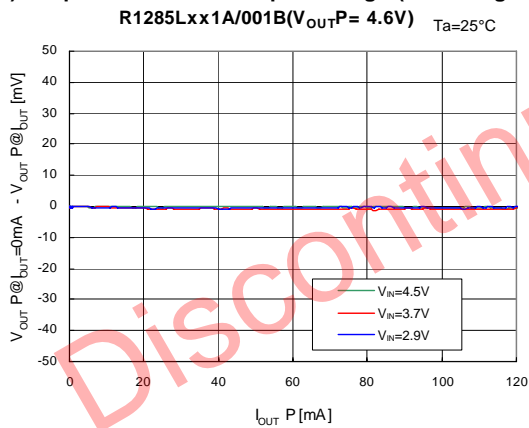


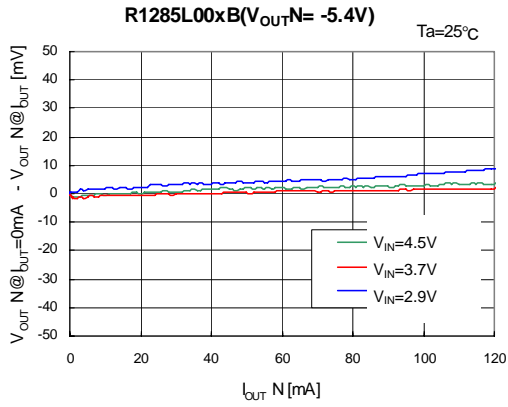
2) Efficiency vs. Output Current



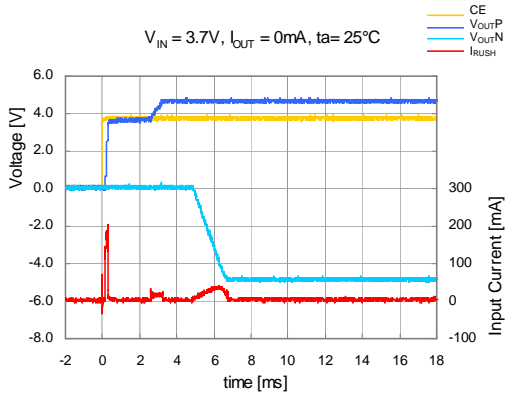


3) Output Current vs. Output Voltage (Load Regulation)

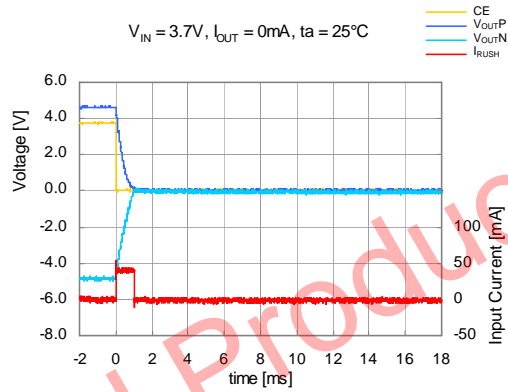




4) Turn-on/Turn-off Speed by CE signal
R1285L491A

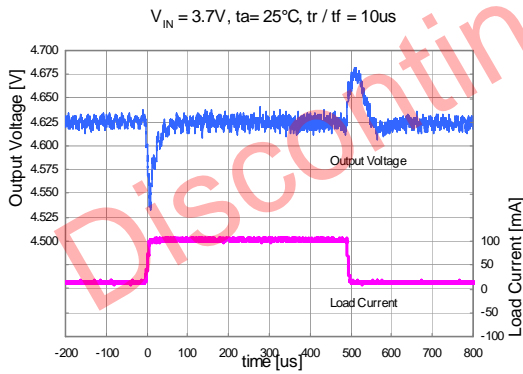


R1285L001B(V_{OUTN}= -4.9V)

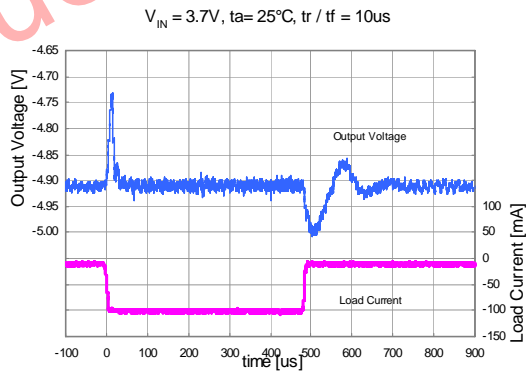


5) Load Transient Response

R1285Lxx1A(V_{OUTP}= 4.6V)

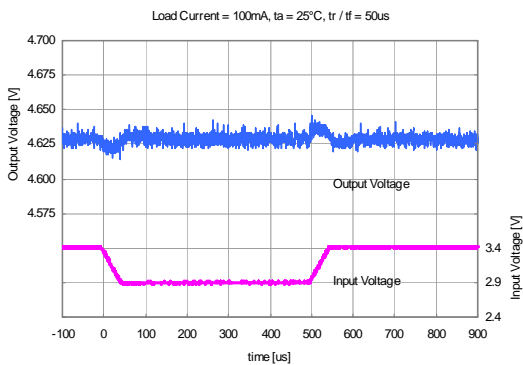


R1285L49xA(V_{OUTN}= -4.9V)

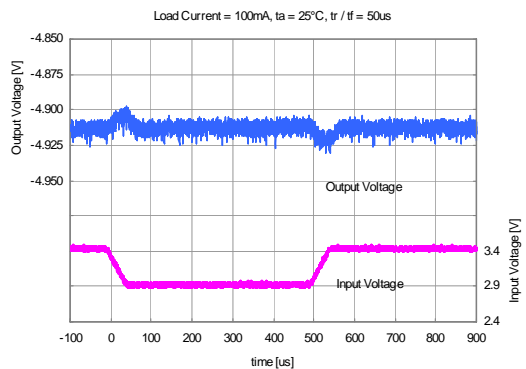


6) Line Transient Response

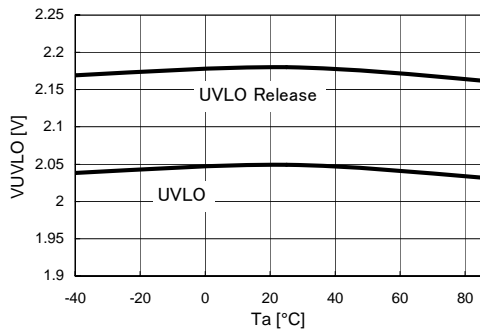
R1285Lxx1A(V_{OUTP}= 4.6V)



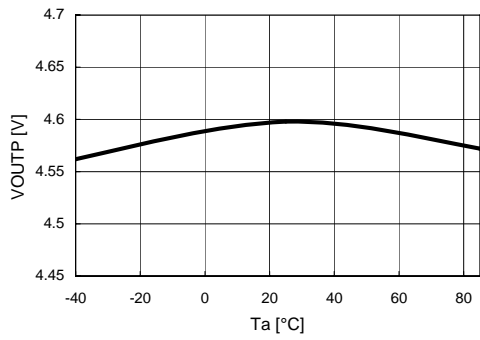
R1285L49xA(V_{OUTN}= -4.9V)



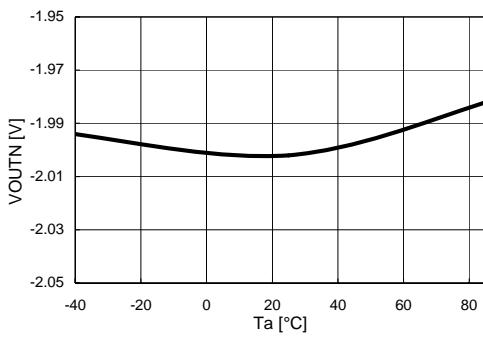
7) UVLO Voltage VS. Temperature
R1285Lxxxx



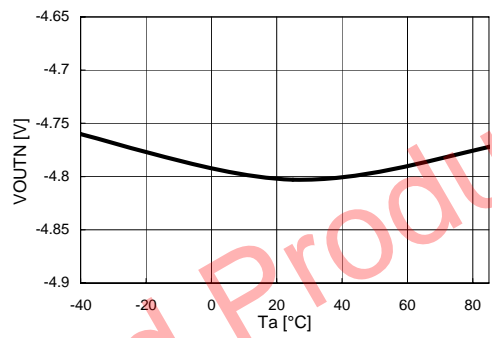
8) VOUTP Voltage VS. Temperature
R1285Lxx1A



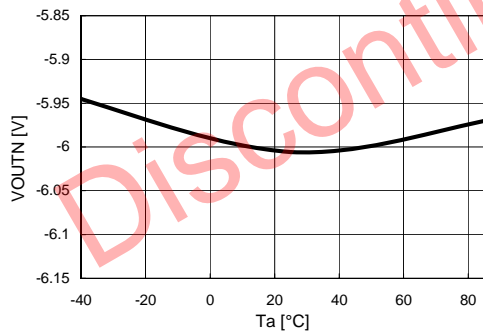
9) VOUTN Voltage VS. Temperature
R1285L20xA



R1285L48xA

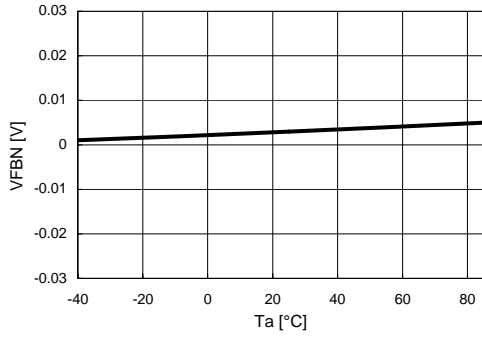


R1285L60xA

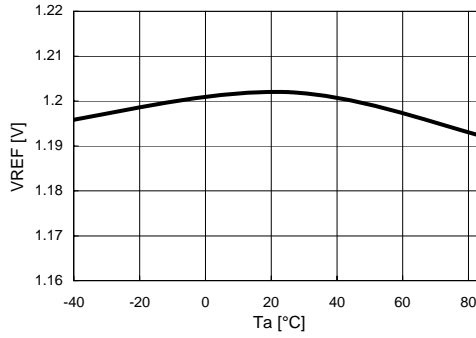


Discontinued Product

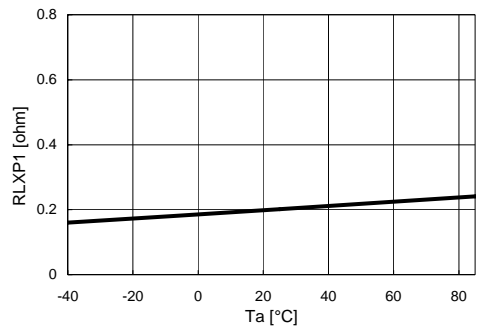
10) VFBN Voltage VS. Temperature
R1285L00xB



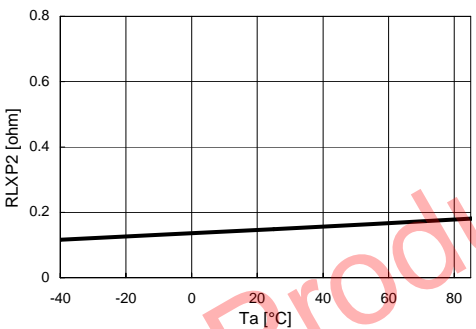
11) VREF Voltage VS. Temperature
R1285L00xB



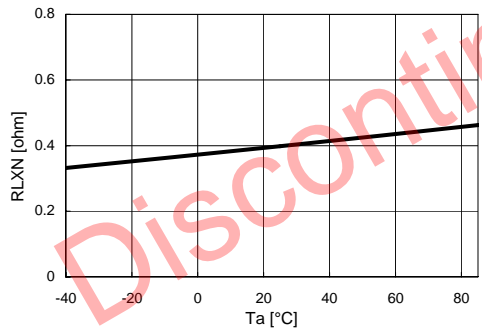
12) LXP1 ON Resistance VS. Temperature
R1285Lxxxx



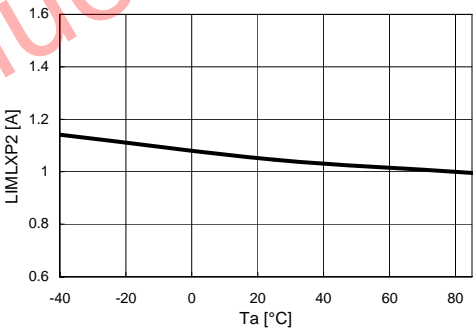
13) LXP2 ON Resistance VS. Temperature
R1285Lxxxx



14) LXN ON Resistance VS. Temperature
R1285Lxxxx

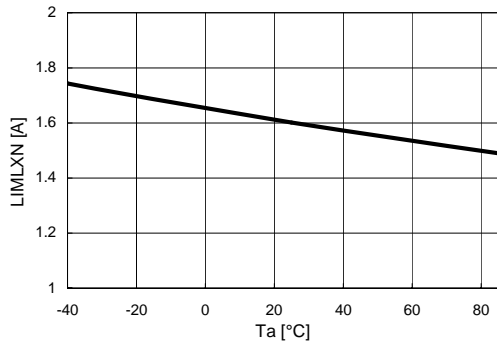


15) LXP2 Current Limit VS. Temperature
R1285Lxxxx

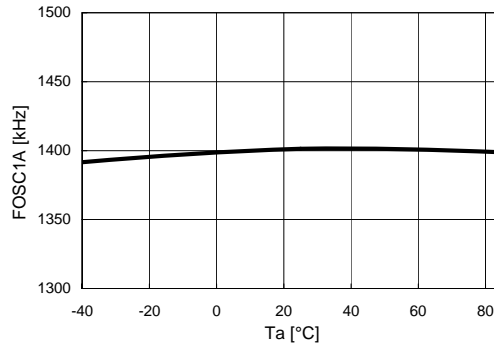


Discontinued Product

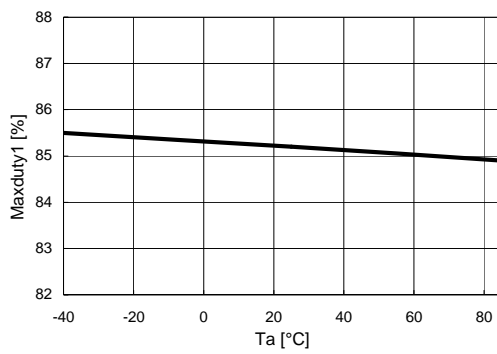
16) LXN Current Limit VS. Temperature
R1285Lxxxx



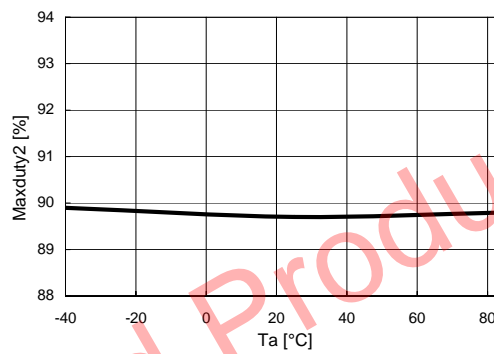
17) Oscillator Frequency VS. Temperature
R1285Lxxxx



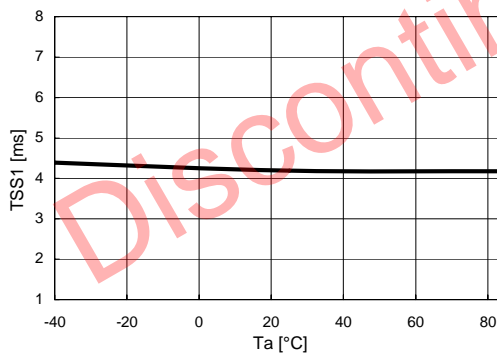
18) Maxduty1 VS. Temperature
R1285Lxxxx



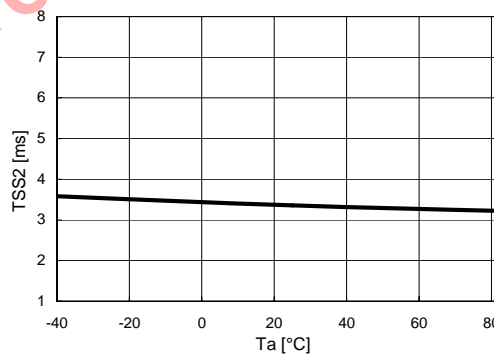
19) Maxduty2 VS. Temperature
R1285Lxxxx



20) CH1 Soft-Start Time VS. Temperature
R1285Lxxxx



21) CH2 Soft-Start Time VS. Temperature
R1285Lxxxx





1. The products and the product specifications described in this document are subject to change or discontinuation of production without notice for reasons such as improvement. Therefore, before deciding to use the products, please refer to Ricoh sales representatives for the latest information thereon.
2. The materials in this document may not be copied or otherwise reproduced in whole or in part without prior written consent of Ricoh.
3. Please be sure to take any necessary formalities under relevant laws or regulations before exporting or otherwise taking out of your country the products or the technical information described herein.
4. The technical information described in this document shows typical characteristics of and example application circuits for the products. The release of such information is not to be construed as a warranty of or a grant of license under Ricoh's or any third party's intellectual property rights or any other rights.
5. The products listed in this document are intended and designed for use as general electronic components in standard applications (office equipment, telecommunication equipment, measuring instruments, consumer electronic products, amusement equipment etc.). Those customers intending to use a product in an application requiring extreme quality and reliability, for example, in a highly specific application where the failure or misoperation of the product could result in human injury or death (aircraft, spacevehicle, nuclear reactor control system, traffic control system, automotive and transportation equipment, combustion equipment, safety devices, life support system etc.) should first contact us.
6. We are making our continuous effort to improve the quality and reliability of our products, but semiconductor products are likely to fail with certain probability. In order to prevent any injury to persons or damages to property resulting from such failure, customers should be careful enough to incorporate safety measures in their design, such as redundancy feature, fire containment feature and fail-safe feature. We do not assume any liability or responsibility for any loss or damage arising from misuse or inappropriate use of the products.
7. Anti-radiation design is not implemented in the products described in this document.
8. The X-ray exposure can influence functions and characteristics of the products. Confirm the product functions and characteristics in the evaluation stage.
9. WLCSP products should be used in light shielded environments. The light exposure can influence functions and characteristics of the products under operation or storage.
10. There can be variation in the marking when different AOI (Automated Optical Inspection) equipment is used. In the case of recognizing the marking characteristic with AOI, please contact Ricoh sales or our distributor before attempting to use AOI.
11. Please contact Ricoh sales representatives should you have any questions or comments concerning the products or the technical information.



Ricoh is committed to reducing the environmental loading materials in electrical devices with a view to contributing to the protection of human health and the environment.

Ricoh has been providing RoHS compliant products since April 1, 2006 and Halogen-free products since April 1, 2012.

RICOH RICOH ELECTRONIC DEVICES CO., LTD.

<http://www.e-devices.ricoh.co.jp/en/>

Sales & Support Offices

RICOH ELECTRONIC DEVICES CO., LTD.

Higashi-Shinagawa Office (International Sales)
3-32-3, Higashi-Shinagawa, Shinagawa-ku, Tokyo 140-8655, Japan
Phone: +81-3-5479-2857 Fax: +81-3-5479-0502

RICOH EUROPE (NETHERLANDS) B.V.

Semiconductor Support Centre
Prof. W.H. Keesomlaan 1, 1183 DJ Amstelveen, The Netherlands
Phone: +31-20-5474-309

RICOH INTERNATIONAL B.V. - German Branch

Semiconductor Sales and Support Centre
Oberrather Strasse 6, 40472 Düsseldorf, Germany
Phone: +49-211-6546-0

RICOH ELECTRONIC DEVICES KOREA CO., LTD.

3F, Haesung Bldg, 504, Teheran-ro, Gangnam-gu, Seoul, 135-725, Korea
Phone: +82-2-2135-5700 Fax: +82-2-2051-5713

RICOH ELECTRONIC DEVICES SHANGHAI CO., LTD.

Room 403, No.2 Building, No.690 Bibo Road, Pu Dong New District, Shanghai 201203, People's Republic of China
Phone: +86-21-5027-3200 Fax: +86-21-5027-3299

RICOH ELECTRONIC DEVICES CO., LTD.

Taipei office
Room 109, 10F-1, No.51, Hengyang Rd., Taipei City, Taiwan (R.O.C.)
Phone: +886-2-2313-1621/1622 Fax: +886-2-2313-1623