

## OUTLINE

The RN5RY202 Series are CMOS-based VFM (chopper) Control ICs for step-up DC/DC converter with an external power transistor featuring high output voltage accuracy and low supply current. Each of the RN5RY202 Series ICs consists of a voltage reference unit, an error amplifier, an oscillator, a VFM control circuit and feed back resistors. Output voltage is fixed at 2V in the IC.

A low ripple, high efficiency step-up DC/DC converter can be constructed by simply adding an inductor, a diode, a capacitor, and a drive transistor and feed back resistors.

Although the series have no CE pins unlike RN5RYxx1A, high voltage ( $V_{OUT}=30V$ ) can be also output by using external feed back resistors.

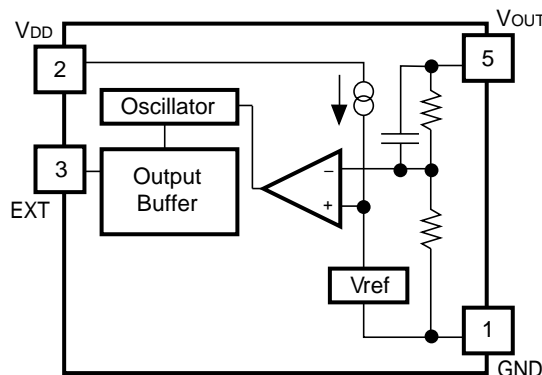
## FEATURES

- Low Supply Current.....Typ. 3 $\mu$ A
- Low Temperature-Drift Coefficient of Output Voltage .....Typ.  $\pm 50$ ppm/ $^{\circ}$ C
- High Accuracy Output Voltage ..... $\pm 2.5\%$
- Low Oscillation Start-up Voltage (no load) .....Max. 0.8V
- Any output voltage can be set with external resistors
- Small Package SOT-23-5 (Mini-Mold)

## APPLICATIONS

- Constant voltage power source for battery-powered instruments.
- Constant power source for cameras, camcorders, pagers, and other hand-held communication tools.
- Constant power source for devices that require higher voltages than battery voltages.

## BLOCK DIAGRAM



## SELECTION GUIDE

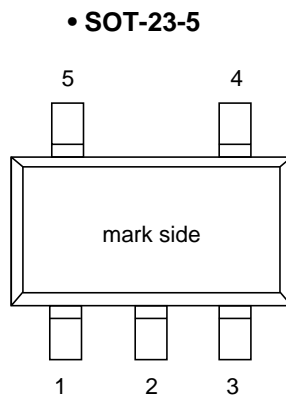
In the RN5RY202 Series, the taping type for the ICs can be selected at the user's request. These selections can be made by designating the part number as shown below:

RN5RY202 x-xx ←Part Number  
 ↑↑↑ ↑  
 a b c d

Code	Contents
a	20. Designation of Output Voltage (V <sub>OUT</sub> ) V <sub>OUT</sub> is fixed at 2.0V.
b	2
c	Designation of Packing Type : A : Taping C : Antistatic bag (for Samples only)
d	Designation of Taping Type : Ex. TR, TL (refer to Taping Specifications ; TR type is prescribed as a standard.)

For example, Taping Type TR, is designated by Part Number RN5RY202A-TR.

## PIN CONFIGURATION



## PIN DESCRIPTION

Pin No.	Symbol	Description
1	GND	Ground Pin
2	V <sub>DD</sub>	Input Pin
3	EXT	External Transistor Drive Pin (CMOS Output)
4	NC	No Connection
5	V <sub>OUT</sub>	Internal Voltage Output Pin (fixed at 2V)

## ABSOLUTE MAXIMUM RATINGS

Symbol	Item	Ratings	Unit
V <sub>DD</sub>	Input Voltage	12	V
V <sub>OUT</sub>	Output Pin Voltage	12	V
V <sub>EXT</sub>	EXT Pin Output Voltage	-0.3 to V <sub>DD</sub> +0.3	V
I <sub>EXT</sub>	EXT Pin Output Current	±50	mA
P <sub>D</sub>	Power Dissipation	150	mW
T <sub>opt</sub>	Operating Temperature	-40 to +85	°C
T <sub>stg</sub>	Storage Temperature	-55 to +125	°C
T <sub>solder</sub>	Lead Temperature (Soldering)	260°C 10s (Lead part)	

### ABSOLUTE MAXIMUM RATINGS

Absolute Maximum ratings are threshold limit values that must not be exceeded even for an instant under any conditions. Moreover, such values for any two items must not be reached simultaneously. Operation above these absolute maximum ratings may cause degradation or permanent damage to the device. These are stress ratings only and do not necessarily imply functional operation below these limits.

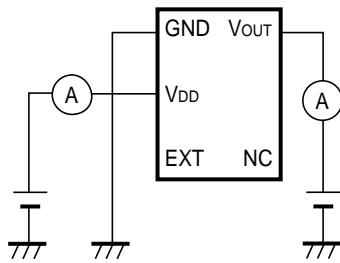
## ELECTRICAL CHARACTERISTICS

## • RN5RY202

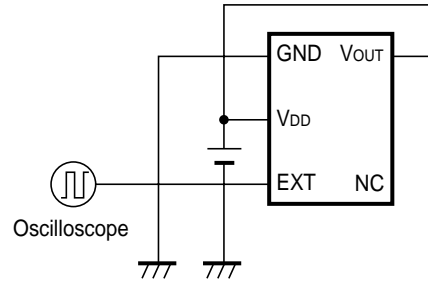
T<sub>opt</sub>=25°C

Symbol	Item	Conditions	Min.	Typ.	Max.	Unit
V <sub>OUT</sub>	Output Voltage	V <sub>IN</sub> =V <sub>DD</sub> =1.9V	1.950	2.000	2.050	V
V <sub>IN</sub>	Input Voltage				10	V
I <sub>DD1</sub>	Supply Current 1	EXT No load, V <sub>DD</sub> =1.9V V <sub>OUT</sub> =1.9V, Test circuit1		15	25	μA
I <sub>DD2</sub>	Supply Curren 2	EXT No load, V <sub>DD</sub> =1.9V V <sub>OUT</sub> =2.1V, Test circuit1		3	5	μA
f <sub>osc</sub>	Maximum Oscillator Frequency	V <sub>DD</sub> =1.9V, V <sub>OUT</sub> =1.9V Test circuit2		180		kHz
Duty	Oscillator Duty Cycle	V <sub>DD</sub> =1.9V, V <sub>OUT</sub> =1.9V EXT "H" side, Test circuit2	65	75		%
V <sub>start</sub>	Oscillator Start-up Voltage	EXT No load, Test circuit2		0.7	0.8	V
$\frac{\Delta V_{OUT}}{\Delta T_{opt}}$	Output Voltage Temperature Coefficient	I <sub>OUT</sub> =10mA -40°C ≤ T <sub>opt</sub> ≤ 85°C		±50		ppm/°C
I <sub>EXTH</sub>	EXT "H" Output Current	V <sub>DD</sub> =1.9V, V <sub>OUT</sub> =1.9V V <sub>EXT</sub> =GND, Test circuit3			-1.5	mA
I <sub>EXTL</sub>	EXT "L" Output Current	V <sub>DD</sub> =1.9V, V <sub>OUT</sub> =1.9V V <sub>EXT</sub> =1.9V, Test circuit4	1.5			mA
R <sub>VSET</sub>	Voltage Set Resistor	V <sub>DD</sub> =2V, V <sub>OUT</sub> =10V Test circuit5	2			MΩ

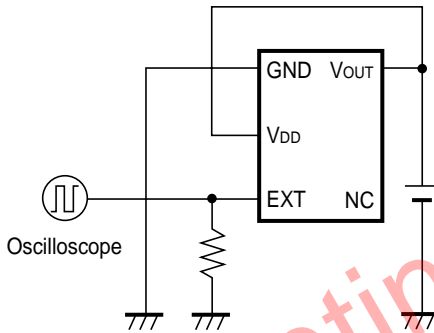
# TEST CIRCUIT



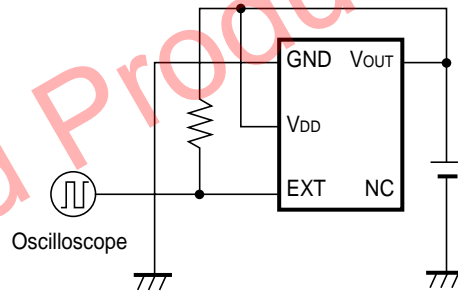
Test Circuit 1



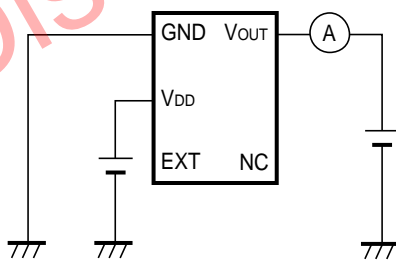
Test Circuit 2



Test Circuit 3



Test Circuit 4

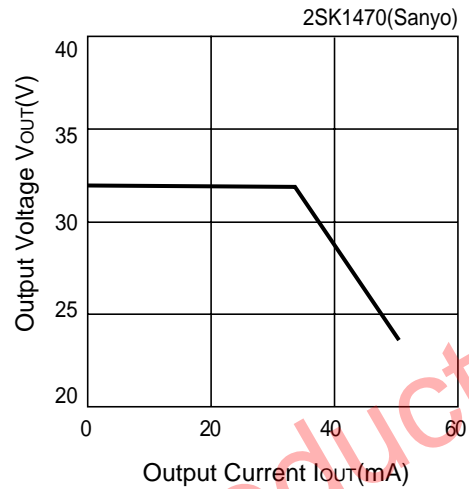
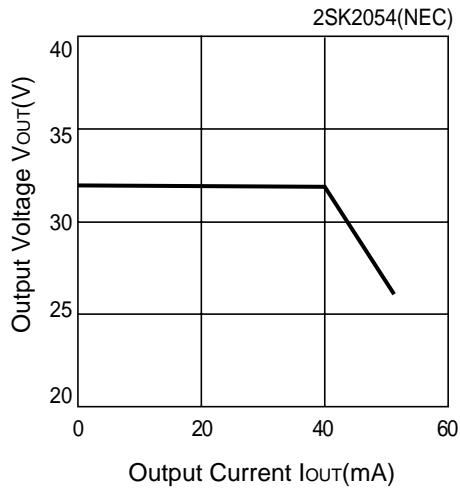


Test Circuit 5

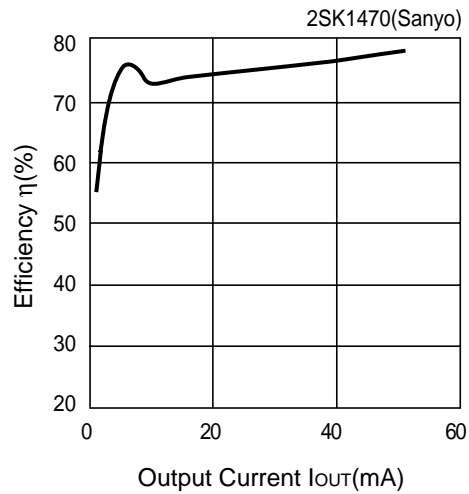
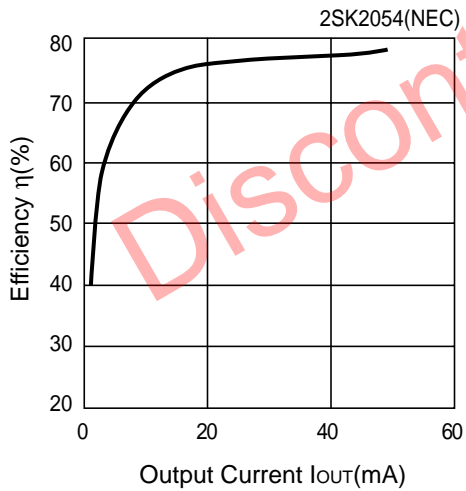
Discontinued Product

## TYPICAL CHARACTERISTICS

### 1) Output Voltage vs. Output Current



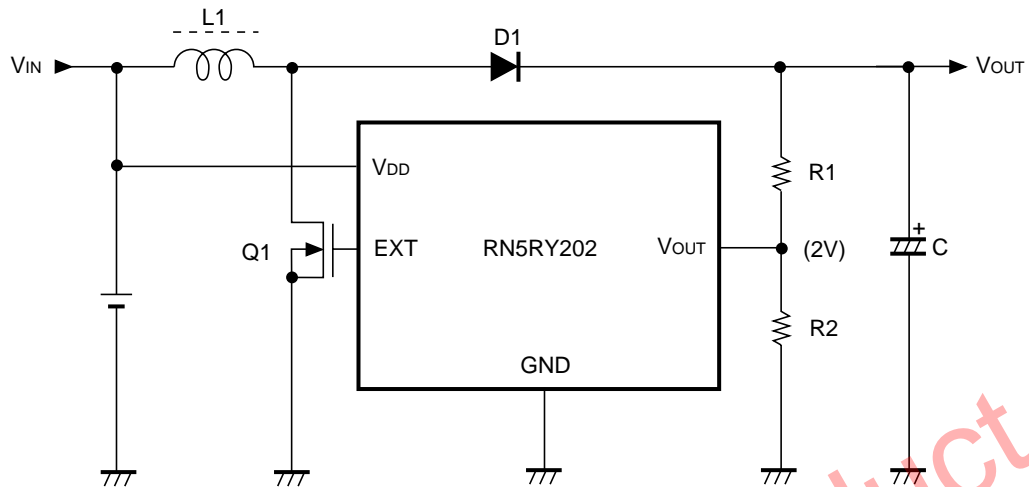
### 2) Efficiency vs. Output Current



\*)  $V_{IN}=3.6V$

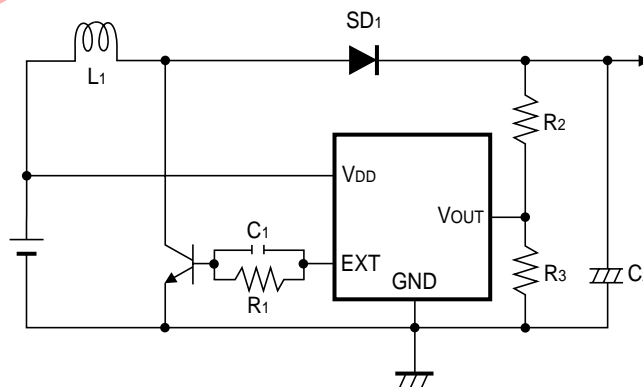
\*\*) For test circuit details, see "TYPICAL APPLICATIONS".

## TEST CIRCUIT



Components : Inductor (L1)	: CD54 (15 $\mu$ H)
Diode (D1)	: RB111C (Rohm)
Capacitor (C)	: 47 $\mu$ F (Tantalum type)
Transistor (Q1)	: 2SK2054 (NEC) or 2SK1470 (Sanyo)
Output voltage setting resistor (R1)	: 150k $\Omega$
Output voltage setting resistor (R2)	: 10k $\Omega$

## TYPICAL APPLICATIONS



**NOTES ON EXTERNAL COMPONENTS**

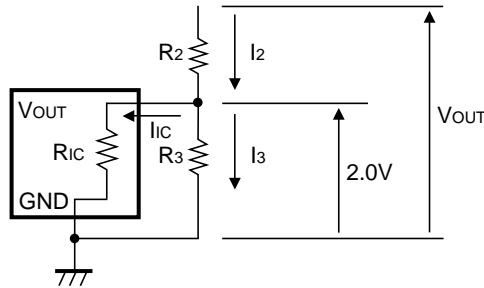
- If input voltage is high enough, higher efficiency may be obtained by using MOSFET in the driver transistor, in which case no resistors and condensers are necessary.
- Always keep the absolute maximum ratings ( $V_{DS}$  and  $V_{CE}$ ) since spike voltage higher than output voltage may be applied to the driver transistor. We recommend that you use transistors with absolute maximum ratings more than twice of the output setting voltage.
- Use capacitor with an allowable voltage which is at least one and a half times as much as the setting output voltage.
- Use output voltage setting resistors with resistance much smaller than IC internal resistor (Min.  $2M\Omega$ ). Be careful not to allow larger resistance, which will result in larger error in setting voltage. We recommend resistors up to several tens of  $k\Omega$ .
- Select an inductor with small DC resistance and enough permissible current and less tendency to magnetic saturation.
- Select a diode of a Schottky type with a faster switching speed. Also pay attention to current capacity.

## (External components) Reference

- Inductors  
CD54, CD73, CD104 (Sumida)
- Driver transistors  
2SD1628 (Sanyo)  
2SK1470 (Sanyo)  
2SK1959 (NEC)  
2SK2054 (NEC)
- Diodes  
RB111C (Rohm)  
D1FS4A (Shindengen)
- Output capacitor  
Tantalum type



NOTES ON OUTPUT VOLTAGE SETTINGS



Output setting voltage is determined using the following formulas :

$$I_2 = I_{1C} + I_3 \dots\dots\dots (1)$$

$$I_3 = 2.0 / R_3 \dots\dots\dots (2)$$

From (1) and (2) above,

$$I_2 = I_{1C} + 2.0 / R_3 \dots\dots\dots (3)$$

$$V_{OUT} = 2.0 + R_2 \times I_2 \dots\dots\dots (4)$$

By substituting (3) into the above formula

$$\begin{aligned} V_{OUT} &= 2.0 + R_2 \times (I_{1C} + 2.0 / R_3) \\ &= 2.0 \times (1 + R_2 / R_3) + R_2 \times I_{1C} \dots\dots\dots (5) \end{aligned}$$

The second term,  $R_2 \times I_{1C}$  in the formula (5) above may cause a voltage setting error.

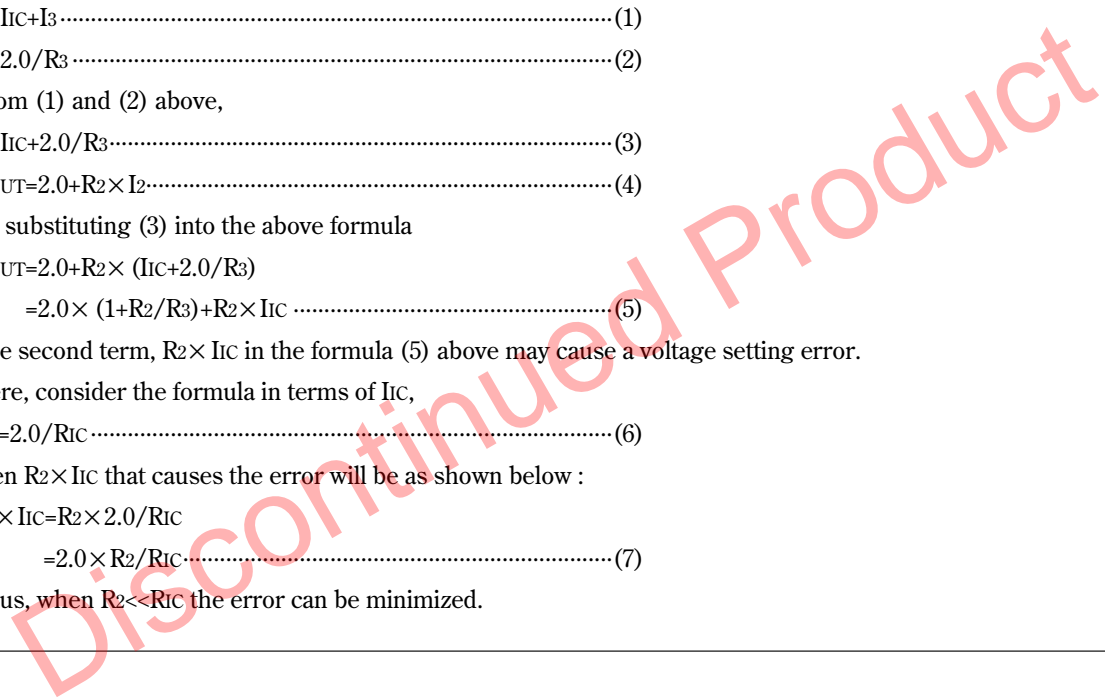
Here, consider the formula in terms of  $I_{1C}$ ,

$$I_{1C} = 2.0 / R_{1C} \dots\dots\dots (6)$$

then  $R_2 \times I_{1C}$  that causes the error will be as shown below :

$$\begin{aligned} R_2 \times I_{1C} &= R_2 \times 2.0 / R_{1C} \\ &= 2.0 \times R_2 / R_{1C} \dots\dots\dots (7) \end{aligned}$$

Thus, when  $R_2 \ll R_{1C}$  the error can be minimized.





1. The products and the product specifications described in this document are subject to change or discontinuation of production without notice for reasons such as improvement. Therefore, before deciding to use the products, please refer to Ricoh sales representatives for the latest information thereon.
2. The materials in this document may not be copied or otherwise reproduced in whole or in part without prior written consent of Ricoh.
3. Please be sure to take any necessary formalities under relevant laws or regulations before exporting or otherwise taking out of your country the products or the technical information described herein.
4. The technical information described in this document shows typical characteristics of and example application circuits for the products. The release of such information is not to be construed as a warranty of or a grant of license under Ricoh's or any third party's intellectual property rights or any other rights.
5. The products listed in this document are intended and designed for use as general electronic components in standard applications (office equipment, telecommunication equipment, measuring instruments, consumer electronic products, amusement equipment etc.). Those customers intending to use a product in an application requiring extreme quality and reliability, for example, in a highly specific application where the failure or misoperation of the product could result in human injury or death (aircraft, spacevehicle, nuclear reactor control system, traffic control system, automotive and transportation equipment, combustion equipment, safety devices, life support system etc.) should first contact us.
6. We are making our continuous effort to improve the quality and reliability of our products, but semiconductor products are likely to fail with certain probability. In order to prevent any injury to persons or damages to property resulting from such failure, customers should be careful enough to incorporate safety measures in their design, such as redundancy feature, fire containment feature and fail-safe feature. We do not assume any liability or responsibility for any loss or damage arising from misuse or inappropriate use of the products.
7. Anti-radiation design is not implemented in the products described in this document.
8. The X-ray exposure can influence functions and characteristics of the products. Confirm the product functions and characteristics in the evaluation stage.
9. WLCSP products should be used in light shielded environments. The light exposure can influence functions and characteristics of the products under operation or storage.
10. There can be variation in the marking when different AOI (Automated Optical Inspection) equipment is used. In the case of recognizing the marking characteristic with AOI, please contact Ricoh sales or our distributor before attempting to use AOI.
11. Please contact Ricoh sales representatives should you have any questions or comments concerning the products or the technical information.



**Ricoh is committed to reducing the environmental loading materials in electrical devices with a view to contributing to the protection of human health and the environment.**

Ricoh has been providing RoHS compliant products since April 1, 2006 and Halogen-free products since April 1, 2012.

**RICOH** RICOH ELECTRONIC DEVICES CO., LTD.

<http://www.e-devices.ricoh.co.jp/en/>

#### Sales & Support Offices

##### **RICOH ELECTRONIC DEVICES CO., LTD.**

###### **Higashi-Shinagawa Office (International Sales)**

3-32-3, Higashi-Shinagawa, Shinagawa-ku, Tokyo 140-8655, Japan  
Phone: +81-3-5479-2857 Fax: +81-3-5479-0502

##### **RICOH EUROPE (NETHERLANDS) B.V.**

###### **Semiconductor Support Centre**

Prof. W.H. Keesomlaan 1, 1183 DJ Amstelveen, The Netherlands  
Phone: +31-20-5474-309

##### **RICOH INTERNATIONAL B.V. - German Branch**

###### **Semiconductor Sales and Support Centre**

Oberrather Strasse 6, 40472 Düsseldorf, Germany  
Phone: +49-211-6546-0

##### **RICOH ELECTRONIC DEVICES KOREA CO., LTD.**

3F, Haesung Bldg, 504, Teheran-ro, Gangnam-gu, Seoul, 135-725, Korea  
Phone: +82-2-2135-5700 Fax: +82-2-2051-5713

##### **RICOH ELECTRONIC DEVICES SHANGHAI CO., LTD.**

Room 403, No.2 Building, No.690 Bibo Road, Pu Dong New District, Shanghai 201203, People's Republic of China  
Phone: +86-21-5027-3200 Fax: +86-21-5027-3299

##### **RICOH ELECTRONIC DEVICES CO., LTD.**

###### **Taipei office**

Room 109, 10F-1, No.51, Hengyang Rd., Taipei City, Taiwan (R.O.C.)  
Phone: +886-2-2313-1621/1622 Fax: +886-2-2313-1623