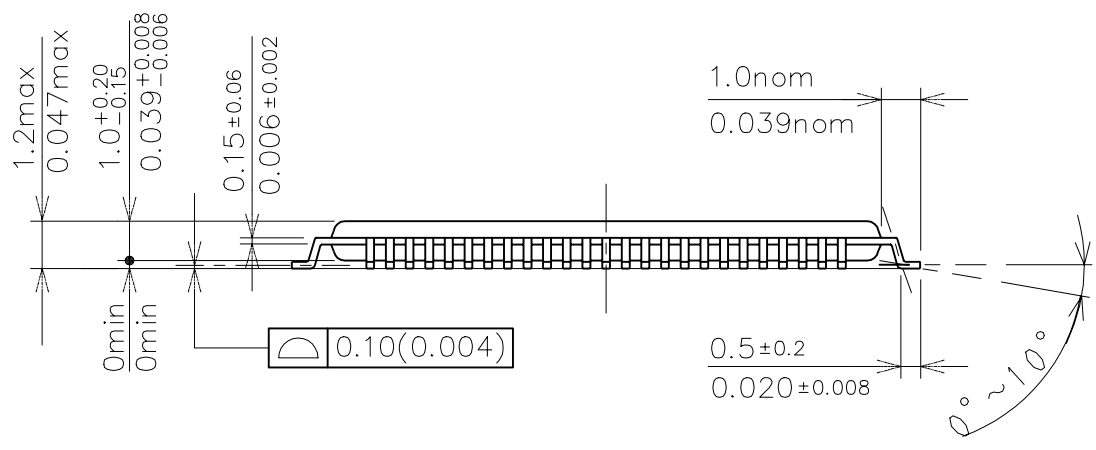
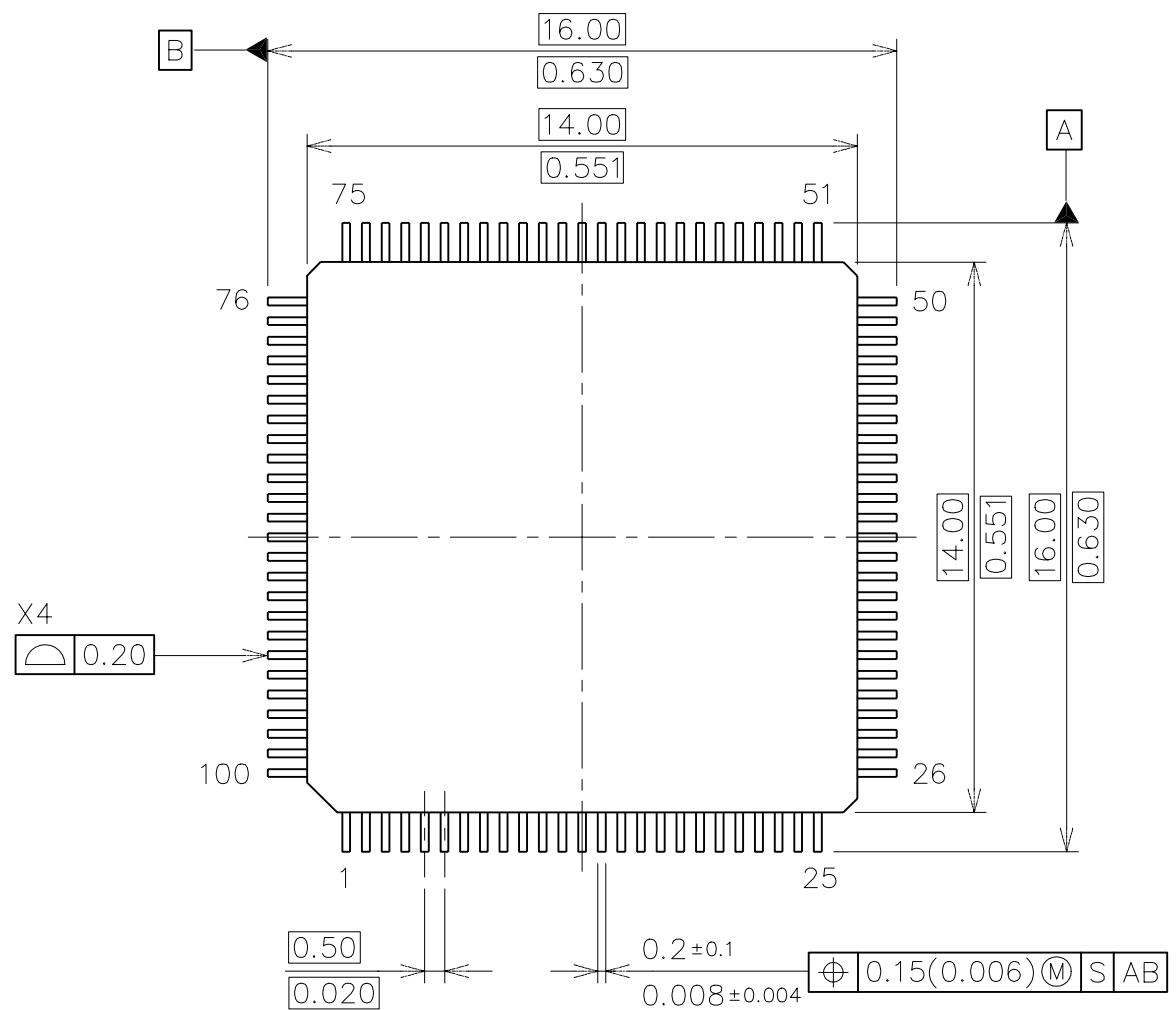


**TQFP-100-P1 (size=14x14, pitch=0.5, t=1.2max unit:mm)**



UNIT:  $\frac{\text{MM}}{\text{INCH}}$