
ULTRA SMALL PACKAGE VOLTAGE REGULATOR

NO.EA-048-111020

OUTLINE

The Rx5RW Series are CMOS-based voltage regulator ICs with high accuracy output voltage and ultra-low supply current developed. Each of these ICs consists of a driver transistor, a voltage reference unit, an error amplifier, resistors for setting output voltage and a current limit circuit.

The output voltage of these ICs is fixed with high accuracy.

Even if V_{OUT} is shorted to GND, the included current limit circuit protects the ICs from the destruction. Furthermore, Rx5RWxxA/B have a chip enable function, so that the supply current on standby can be minimized.

Since the packages for these ICs are SC-82AB and SON1612-6, high density mounting of the ICs on boards is possible.

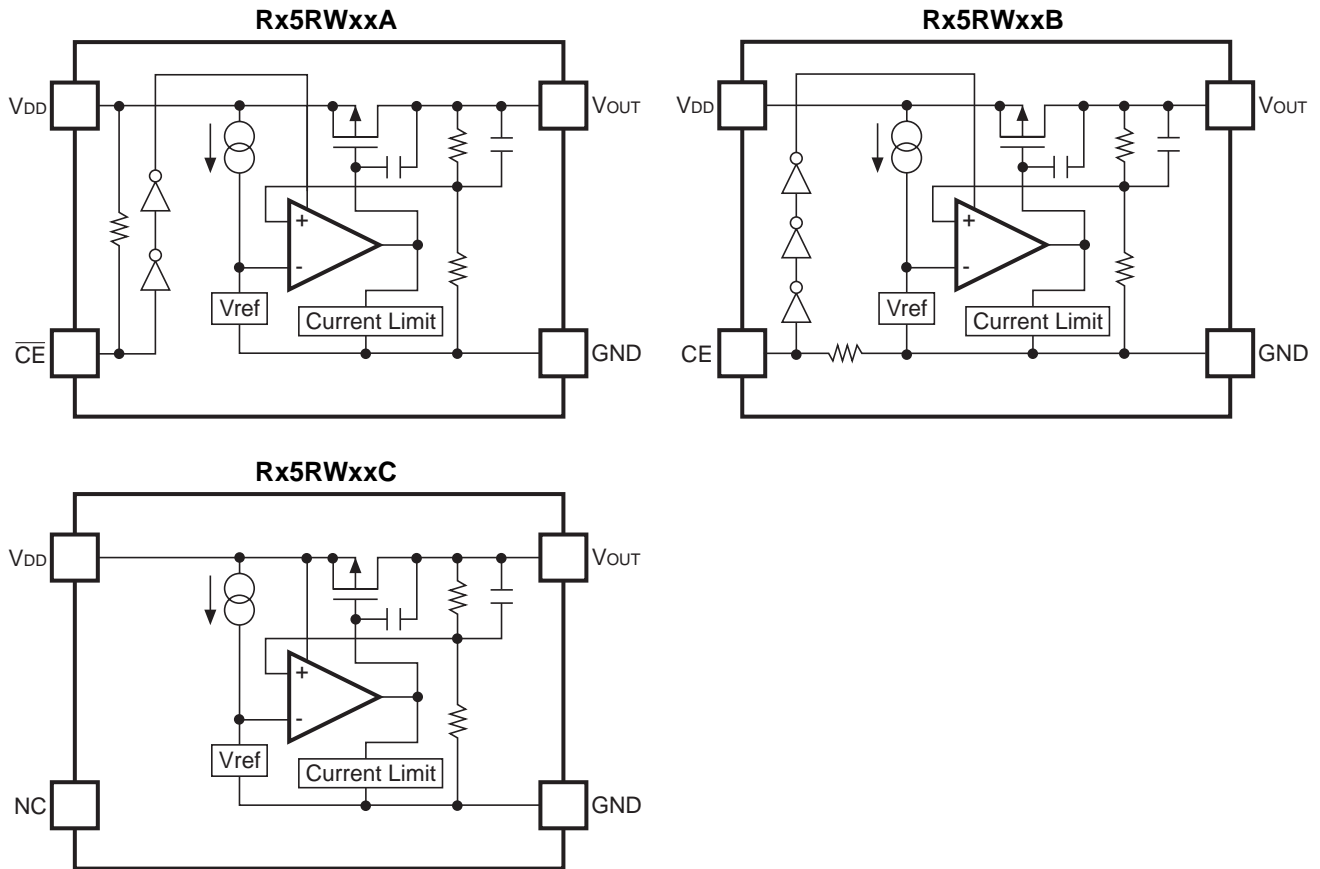
FEATURES

- Supply Current Typ. 1.5 μ A
(except pull-up/pull-down current for \overline{CE} /CE pin)
- Standby Current Typ. 0.1 μ A (applied to A/B version)
- Dropout Voltage Typ. 40mV ($I_{OUT}=1$ mA, Rx5RW30A/B/C)
- Temperature-Drift Coefficient of Output Voltage Typ. ± 100 ppm/ $^{\circ}$ C
- Line Regulation Typ. 0.05%/V
- Input Voltage Range Max. 8.0V
- Output Voltage Range 1.5V to 6.0V (0.1V steps)
- Output Voltage Accuracy $\pm 2.0\%$
- Packages SC-82AB, SON1612-6
- Built-in Current Limit Circuits

APPLICATIONS

- Power source for battery-powered equipment.
- Power source for cameras, VCRs, camcorders, hand-held audio instruments and hand-held communication equipment.
- Precision voltage references.

BLOCK DIAGRAMS



SELECTION GUIDE

The output voltage, chip enable polarity, and package, etc. for the ICs can be selected at the user's request.

| Product Name | Package | Quantity per Reel | Pb Free | Halogen Free |
|-----------------|-----------|-------------------|---------|--------------|
| RD5RWxx*A-TR-FE | SON1612-6 | 4,000 pcs | Yes | Yes |
| RQ5RWxx*A-TR-FE | SC-82AB | 3,000 pcs | Yes | Yes |

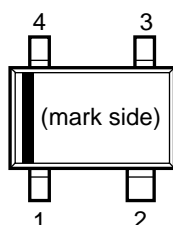
xx: The output voltage can be designated in the range from 1.5V(15) to 6.0V(60) in 0.1V steps.

* : CE pin polarity are options as follows.

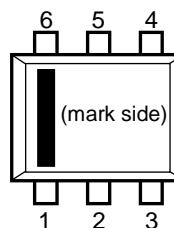
- (A) "L" active
- (B) "H" active
- (C) without chip enable

PIN CONFIGURATION

● SC-82AB



● SON1612-6



PIN DESCRIPTION

● SC-82AB

| Pin No | Symbol | Pin Description |
|--------|------------------------------------|--|
| 1 | GND | Ground Pin |
| 2 | V _{DD} | Input Pin |
| 3 | V _{OUT} | Output Pin |
| 4 | $\overline{\text{CE}}$ or CE or NC | Chip Enable Pin ("L" active/"H" active) or No Connection |

● SON1612-6

| Pin No | Symbol | Pin Description |
|--------|------------------------------------|--|
| 1 | $\overline{\text{CE}}$ or CE or NC | Chip Enable Pin ("L" active/"H" active) or No Connection |
| 2 | V _{DD} | Input Pin |
| 3 | V _{OUT} | Output Pin |
| 4 | NC | No Connection |
| 5 | V _{DD} | Input Pin |
| 6 | GND | Ground Pin |

ABSOLUTE MAXIMUM RATINGS

| Symbol | Item | Rating | Unit |
|-----------|--|------------------------|------|
| V_{IN} | Input Voltage | 9.0 | V |
| V_{CE} | Input Voltage for \overline{CE} /CE Pin (applied to A/B version) | -0.3 to $V_{IN} + 0.3$ | V |
| V_{OUT} | Output Voltage | -0.3 to $V_{IN} + 0.3$ | V |
| I_{OUT} | Output Current | 150 | mA |
| P_D | Power Dissipation (SC-82AB) * | 380 | mW |
| | Power Dissipation (SON1612-6) * | 500 | |
| T_{opt} | Operating Temperature | -40 to +85 | °C |
| T_{stg} | Storage Temperature | -55 to +125 | °C |

*) For Power Dissipation, please refer to PACKAGE INFORMATION.

ABSOLUTE MAXIMUM RATINGS

Electronic and mechanical stress momentarily exceeded absolute maximum ratings may cause the permanent damages and may degrade the life time and safety for both device and system using the device in the field.

The functional operation at or over these absolute maximum ratings is not assured.

ELECTRICAL CHARACTERISTICS

• Rx5RW30A

T_{opt}=25°C

| Symbol | Item | Conditions | Min. | Typ. | Max. | Unit |
|--------------------------------------|--|---|-------|-------|-------|------------|
| V _{OUT} | Output Voltage | V _{IN} =5.0V 10μA≤I _{OUT} ≤10mA | 2.940 | 3.000 | 3.060 | V |
| I _{OUT} | Output Current | V _{IN} =5.0V | 50 | | | mA |
| ΔV _{OUT} /ΔI _{OUT} | Load Regulation | V _{IN} =5.0V, 1mA≤I _{OUT} ≤50mA | | 40 | 60 | mV |
| V _{DIF} | Dropout Voltage | I _{OUT} =1mA | | 40 | 60 | mV |
| I _{SS} | Supply Current | V _{IN} =5.0V | | 1.5 | 3.0 | μA |
| I _{standby} | Standby Current | V _{IN} =5.0V, V _{CE} =5.0V | | 0.1 | 1.0 | μA |
| ΔV _{OUT} /ΔV _{IN} | Line Regulation | I _{OUT} =1mA V _{OUT} +0.5V≤V _{IN} ≤8V | 0 | 0.05 | 0.20 | %/V |
| V _{IN} | Input Voltage | | | | 8.0 | V |
| ΔV _{OUT} /ΔT _{opt} | Output Voltage Temperature Coefficient | I _{OUT} =10mA -40°C≤T _{opt} ≤85°C | | ±100 | | ppm/ °C |
| I _{SC} | Short Current Limit | | | 40 | | mA |
| R _{PU} | Pull up resistance for CE pin | | 1.5 | 4.0 | 12.0 | MΩ |
| V _{CEH} | \overline{CE} Input Voltage "H" | | 1.5 | | | V |
| V _{CEL} | \overline{CE} Input Voltage "L" | | | | 0.25 | V |

• Rx5RW30B

T_{opt}=25°C

| Symbol | Item | Conditions | Min. | Typ. | Max. | Unit |
|--------------------------------------|--|---|-------|-------|-------|------------|
| V _{OUT} | Output Voltage | V _{IN} =5.0V 10μA≤I _{OUT} ≤10mA | 2.940 | 3.000 | 3.060 | V |
| I _{OUT} | Output Current | V _{IN} =5.0V | 50 | | | mA |
| ΔV _{OUT} /ΔI _{OUT} | Load Regulation | V _{IN} =5.0V 1mA≤I _{OUT} ≤50mA | | 40 | 60 | mV |
| V _{DIF} | Dropout Voltage | I _{OUT} =1mA | | 40 | 60 | mV |
| I _{SS} | Supply Current | V _{IN} =5.0V | | 1.5 | 3.0 | μA |
| I _{standby} | Standby Current | V _{IN} =5.0V, V _{CE} =GND | | 0.1 | 1.0 | μA |
| ΔV _{OUT} /ΔV _{IN} | Line Regulation | I _{OUT} =1mA V _{OUT} +0.5V≤V _{IN} ≤8V | 0 | 0.05 | 0.20 | %/V |
| V _{IN} | Input Voltage | | | | 8.0 | V |
| ΔV _{OUT} /ΔT _{opt} | Output Voltage Temperature Coefficient | I _{OUT} =1mA -40°C≤T _{opt} ≤85°C | | ±100 | | ppm/ °C |
| I _{SC} | Short Current Limit | | | 40 | | mA |
| R _{PD} | Pull down resistance for CE pin | | 1.5 | 4.0 | 12.0 | MΩ |
| V _{CEH} | CE Input Voltage "H" | | 1.5 | | | V |
| V _{CEL} | CE Input Voltage "L" | | | | 0.25 | V |

Rx5RW

• Rx5RW30CT_{opt}=25°C

| Symbol | Item | Conditions | Min. | Tyo. | Max. | Unit |
|--------------------------------------|--|--|-------|-------|-------|------------|
| V _{OUT} | Output Voltage | V _{IN} =5.0V 10μA≤I _{OUT} ≤10mA | 2.940 | 3.000 | 3.060 | V |
| I _{OUT} | Output Current | V _{IN} =5.0V | 50 | | | mA |
| ΔV _{OUT} /ΔI _{OUT} | Load Regulation | V _{IN} =5.0V 1mA≤I _{OUT} ≤50mA | | 40 | 60 | mV |
| V _{DIF} | Dropout Voltage | I _{OUT} =1mA | | 40 | 60 | mV |
| I _{SS} | Supply Current | V _{IN} =5.0V | | 1.5 | 3.0 | μA |
| ΔV _{OUT} /ΔV _{IN} | Line Regulation | I _{OUT} =1mA 3.5V≤V _{IN} ≤8.0V | 0 | 0.05 | 0.20 | %/V |
| V _{IN} | Input Voltage | | | | 8.0 | V |
| ΔV _{OUT} /ΔT _{opt} | Output Voltage Temperature Coefficient | I _{OUT} =10mA -40°C≤T _{opt} ≤85°C | | ±100 | | ppm/ °C |
| I _{SC} | Short Current Limit | | | 40 | | mA |

RECOMMENDED OPERATING CONDITIONS (ELECTRICAL CHARACTERISTICS)

All of electronic equipment should be designed that the mounted semiconductor devices operate within the recommended operating conditions. The semiconductor devices cannot operate normally over the recommended operating conditions, even if when they are used over such conditions by momentary electronic noise or surge. And the semiconductor devices may receive serious damage when they continue to operate over the recommended operating conditions.

ELECTRICAL CHARACTERISTICS BY OUTPUT VOLTAGE

Topt=25°C

| Part Number | Output Voltage | | | | Output Current | | Load Regulation | | | Dropout Voltage | | |
|-------------|--|----------------------|-------|-------|--|------|---|------|------|-----------------------|------|------|
| | Conditions | V _{OUT} (V) | | | I _{OUT} (mA) | | ΔV _{OUT} /ΔI _{OUT} (mV) | | | V _{DIF} (mV) | | |
| | | Min. | Typ. | Max. | Conditions | Min. | Conditions | Typ. | Max. | Conditions | Typ. | Max. |
| Rx5RW15 | V _{IN} -V _{OUT} =2.0V 10μA≤I _{OUT} ≤10mA | 1.470 | 1.500 | 1.530 | V _{IN} -V _{OUT} =2.0V | 35 | V _{IN} -V _{OUT} =2.0V 1mA≤I _{OUT} ≤35mA | 30 | 45 | I _{OUT} =1mA | 120 | 200 |
| Rx5RW16 | | 1.568 | 1.600 | 1.632 | | | | | | | 90 | 135 |
| Rx5RW17 | | 1.666 | 1.700 | 1.734 | | | | | | | 60 | 90 |
| Rx5RW18 | | 1.764 | 1.800 | 1.836 | | | | | | | | |
| Rx5RW19 | | 1.862 | 1.900 | 1.938 | | | | | | | | |
| Rx5RW20 | | 1.960 | 2.000 | 2.040 | | | | | | | | |
| Rx5RW21 | | 2.058 | 2.100 | 2.142 | | | | | | | | |
| Rx5RW22 | | 2.156 | 2.200 | 2.244 | | | | | | | | |
| Rx5RW23 | | 2.254 | 2.300 | 2.346 | | | | | | | | |
| Rx5RW24 | | 2.352 | 2.400 | 2.448 | | | | | | | | |
| Rx5RW25 | | 2.450 | 2.500 | 2.550 | | | | | | | | |
| Rx5RW26 | | 2.548 | 2.600 | 2.652 | | | | | | | | |
| Rx5RW27 | | 2.646 | 2.700 | 2.754 | | | | | | | | |
| Rx5RW28 | | 2.744 | 2.800 | 2.856 | | | | | | | | |
| Rx5RW29 | | 2.842 | 2.900 | 2.958 | | | | | | | | |
| Rx5RW30 | | 2.940 | 3.000 | 3.060 | | 50 | V _{IN} -V _{OUT} =2.0V 1mA≤I _{OUT} ≤50mA | 40 | 60 | | | |
| Rx5RW31 | | 3.038 | 3.100 | 3.162 | | | | | | | | |
| Rx5RW32 | | 3.136 | 3.200 | 3.264 | | | | | | | | |
| Rx5RW33 | | 3.234 | 3.300 | 3.366 | | | | | | | | |
| Rx5RW34 | | 3.332 | 3.400 | 3.468 | | | | | | | | |
| Rx5RW35 | | 3.430 | 3.500 | 3.570 | | | | | | | | |
| Rx5RW36 | | 3.528 | 3.600 | 3.672 | | | | | | | | |
| Rx5RW37 | | 3.626 | 3.700 | 3.774 | | | | | | | | |
| Rx5RW38 | | 3.724 | 3.800 | 3.876 | | | | | | | | |
| Rx5RW39 | | 3.822 | 3.900 | 3.978 | | | | | | | | |
| Rx5RW40 | | 3.920 | 4.000 | 4.080 | | 65 | V _{IN} -V _{OUT} =2.0V 1mA≤I _{OUT} ≤65mA | 50 | 70 | | | |
| Rx5RW41 | | 4.018 | 4.100 | 4.182 | | | | | | | | |
| Rx5RW42 | | 4.116 | 4.200 | 4.284 | | | | | | | | |
| Rx5RW43 | | 4.214 | 4.300 | 4.386 | | | | | | | | |
| Rx5RW44 | | 4.312 | 4.400 | 4.488 | | | | | | | | |
| Rx5RW45 | | 4.410 | 4.500 | 4.590 | | | | | | | | |
| Rx5RW46 | | 4.508 | 4.600 | 4.692 | | | | | | | | |
| Rx5RW47 | | 4.606 | 4.700 | 4.794 | | | | | | | | |
| Rx5RW48 | | 4.704 | 4.800 | 4.896 | | | | | | | | |
| Rx5RW49 | | 4.802 | 4.900 | 4.998 | | | | | | | | |
| Rx5RW50 | | 4.900 | 5.000 | 5.100 | | 80 | V _{IN} -V _{OUT} =2.0V 1mA≤I _{OUT} ≤80mA | 60 | 90 | | | |
| Rx5RW51 | | 4.998 | 5.100 | 5.202 | | | | | | | | |
| Rx5RW52 | | 5.096 | 5.200 | 5.304 | | | | | | | | |
| Rx5RW53 | | 5.194 | 5.300 | 5.406 | | | | | | | | |
| Rx5RW54 | | 5.292 | 5.400 | 5.508 | | | | | | | | |
| Rx5RW55 | 5.390 | 5.500 | 5.610 | | | | | | | | | |
| Rx5RW56 | 5.488 | 5.600 | 5.712 | | | | | | | | | |
| Rx5RW57 | 5.586 | 5.700 | 5.814 | | | | | | | | | |
| Rx5RW58 | 5.684 | 5.800 | 5.916 | | | | | | | | | |
| Rx5RW59 | 5.782 | 5.900 | 6.018 | | | | | | | | | |
| Rx5RW60 | 5.880 | 6.000 | 6.120 | 25 | 40 | | | | | | | |

ELECTRICAL CHARACTERISTICS BY OUTPUT VOLTAGE

(common characteristics)

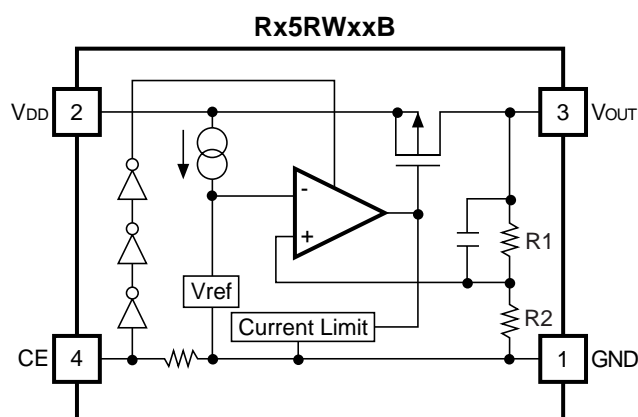
T_{opt}=25°C

| Symbol | Item | Conditions | Min. | Typ. | Max. | Unit |
|--------------------------------------|--|--|------|------|------|--------|
| I _{SS} | Supply Current | V _{IN} =Set V _{OUT} +2.0 | | 1.5 | 3.0 | μA |
| I _{standby} | Standby Current | V _{IN} =Set V _{OUT} +2.0V V _{CE} =V _{IN} (Rx5RWxxA), V _{CE} =GND (Rx5RWxxB) | | 0.1 | 1.0 | μA |
| ΔV _{OUT} /ΔV _{IN} | Line Regulation | I _{OUT} =1mA Set V _{OUT} +0.5V≤V _{IN} ≤8V | 0 | 0.05 | 0.20 | %/V |
| V _{IN} | Input Voltage | | | | 8.0 | V |
| ΔV _{OUT} /ΔT _{opt} | Output Voltage Temperature Coefficient | I _{OUT} =10mA -40°C≤T _{opt} ≤85°C | | ±100 | | ppm/°C |
| I _{SC} | Short Current Limit | | | 40 | | mA |
| R _{PU} /R _{PD} | $\overline{\text{CE}}$ Pull-up / CE Pull-down Resistance | applied to A/B version | 1.5 | 4.0 | 12.0 | MΩ |
| V _{CEH} | $\overline{\text{CE}}$ /CE Input Voltage "H" | applied to A/B version | 1.5 | | | V |
| V _{CEL} | $\overline{\text{CE}}$ /CE Input Voltage "L" | applied to A/B version | | | 0.25 | V |

RECOMMENDED OPERATING CONDITIONS (ELECTRICAL CHARACTERISTICS)

All of electronic equipment should be designed that the mounted semiconductor devices operate within the recommended operating conditions. The semiconductor devices cannot operate normally over the recommended operating conditions, even if when they are used over such conditions by momentary electronic noise or surge. And the semiconductor devices may receive serious damage when they continue to operate over the recommended operating conditions.

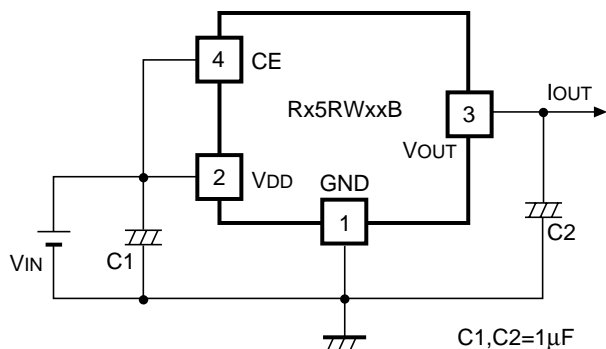
OPERATION



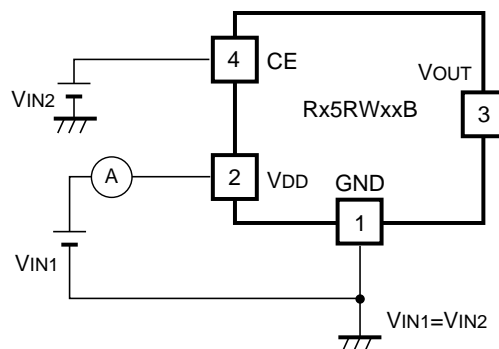
In these ICs, output voltage V_{OUT} is detected by Feedback Registers R1, R2, and the detected output voltage is compared with a reference voltage by the error amplifier, so that a constant voltage is output.

A current limit circuit working for short protect, and a chip enable circuit are included.

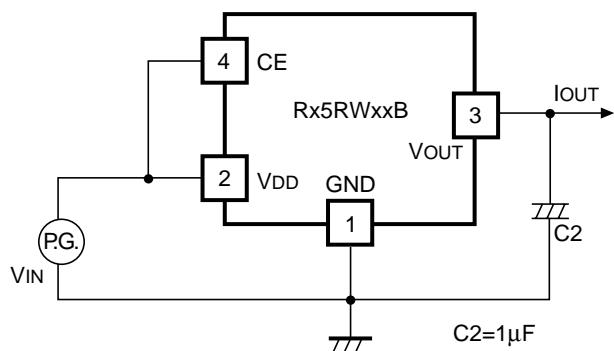
TEST CIRCUITS



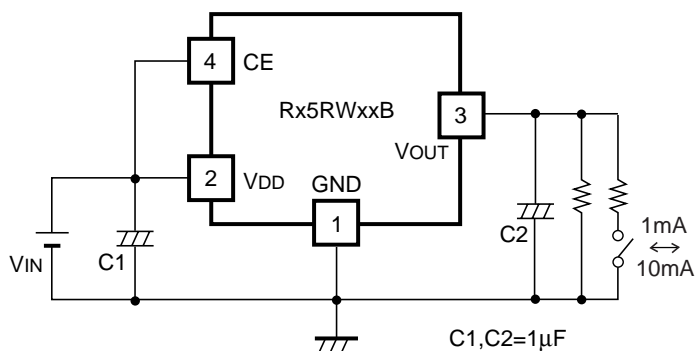
Standard Test Circuit



Supply Current Test Circuit

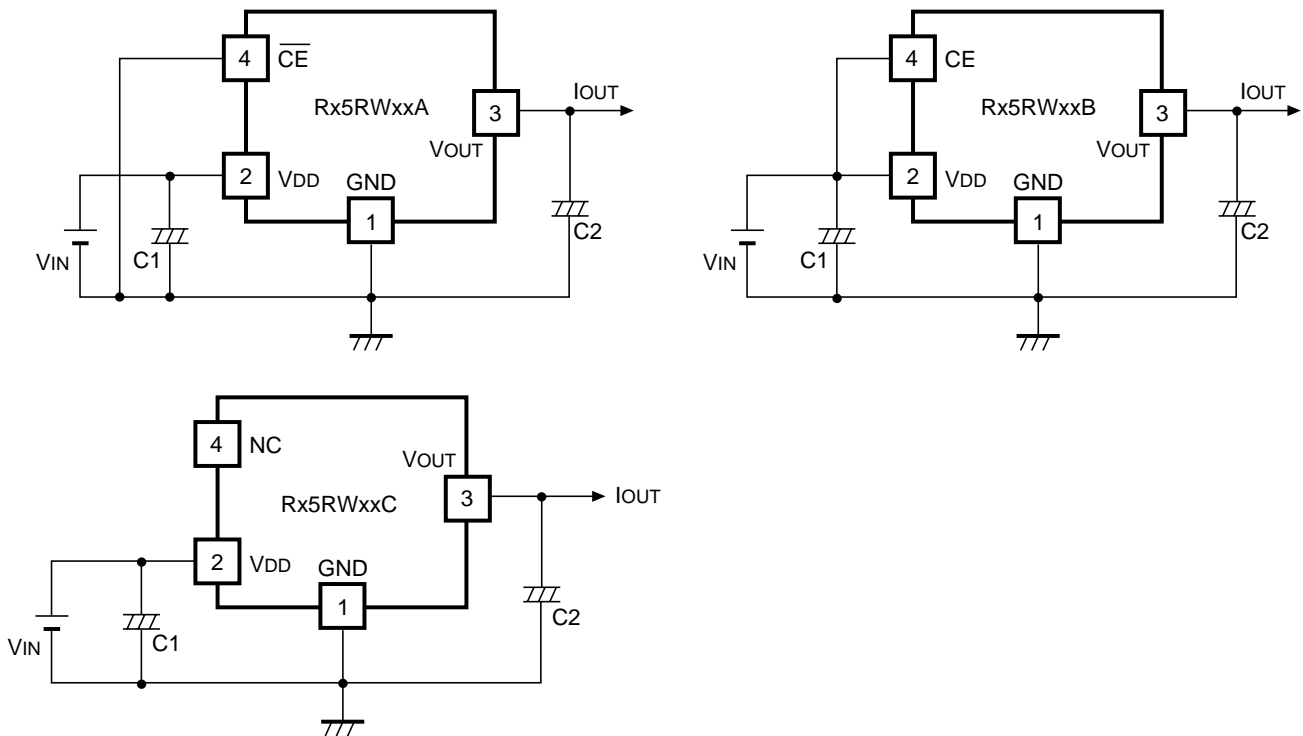


**Ripple Rejection and Line
Transient Response Test Circuit**



Load Transient Response Test Circuit

TYPICAL APPLICATION

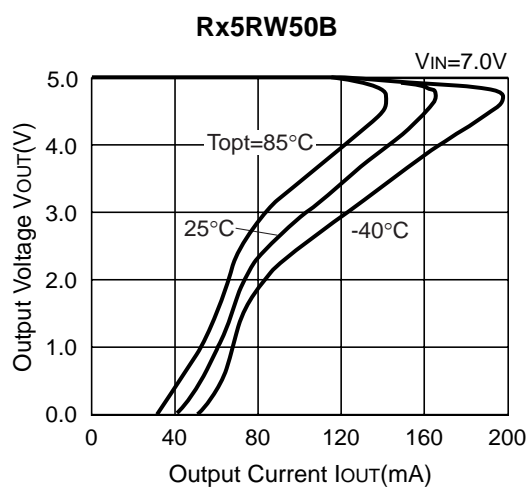
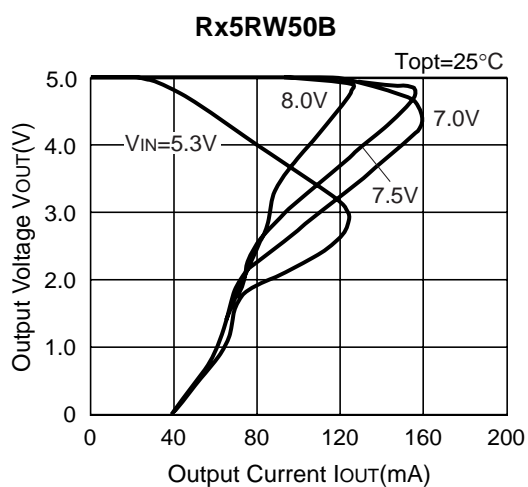
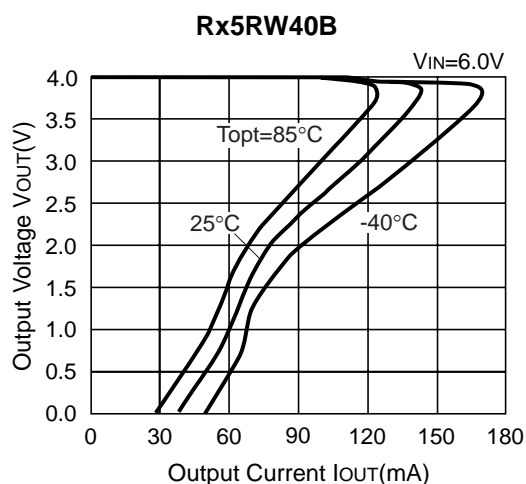
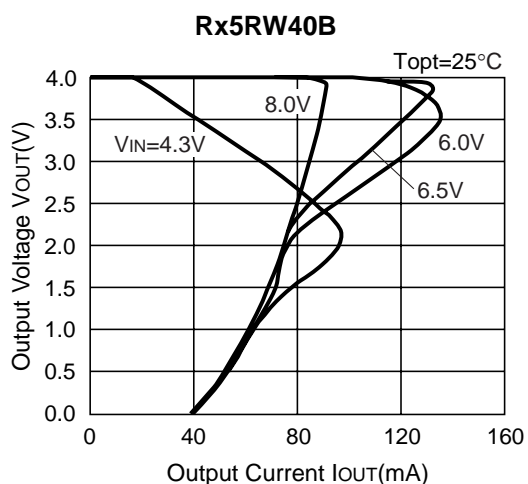
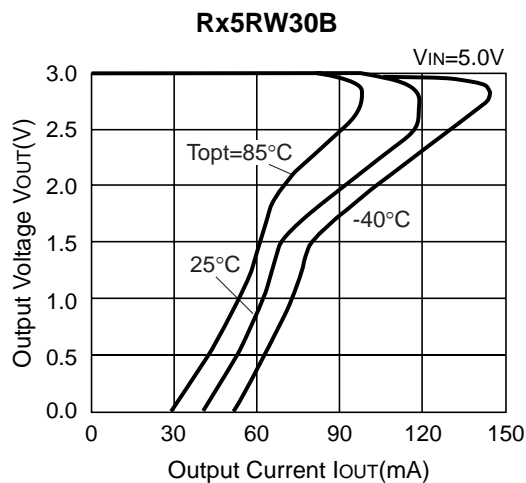
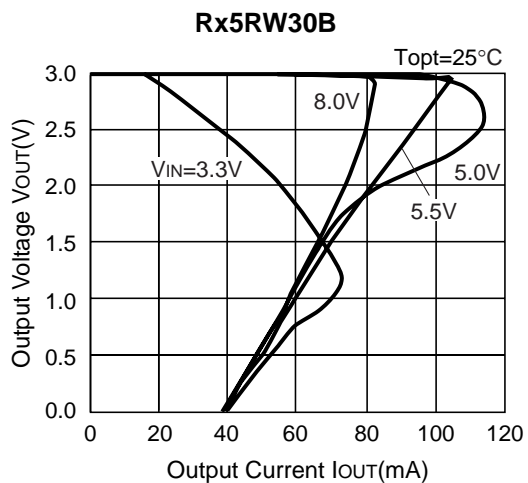


In Rx5RW Series, a constant voltage can be obtained without using capacitors, C1 and C2. However, when the wire connected V_{IN} is long, use capacitor C1. Output noise can be reduced with using capacitor 2.

Insert capacitors C1 and C2 with the capacitance of $0.1\mu\text{F}$ to $2\mu\text{F}$ between input/output pins and GND pin with minimum wiring.

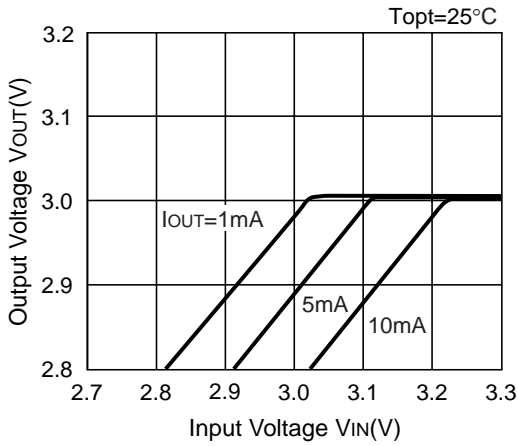
TYPICAL CHARACTERISTICS

1) Output Voltage vs. Output Current

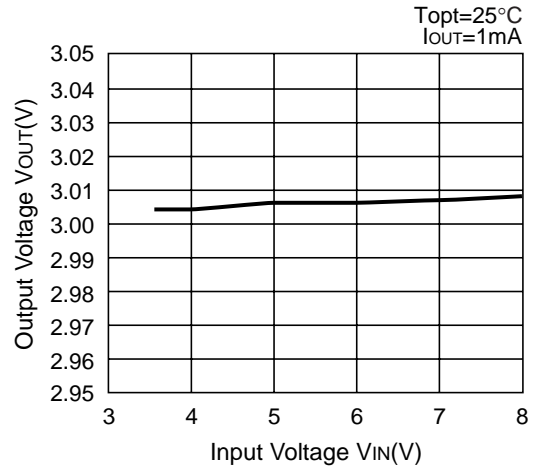


2) Output Voltage vs. Input Voltage

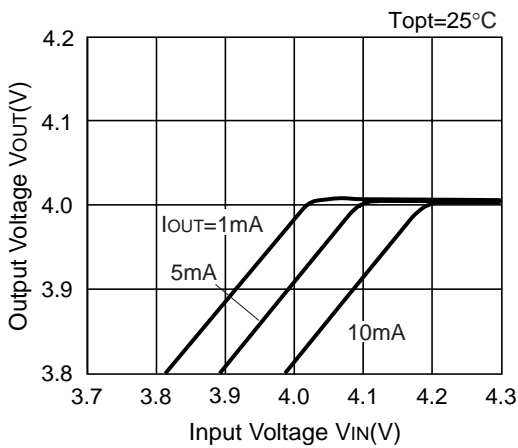
Rx5RW30B



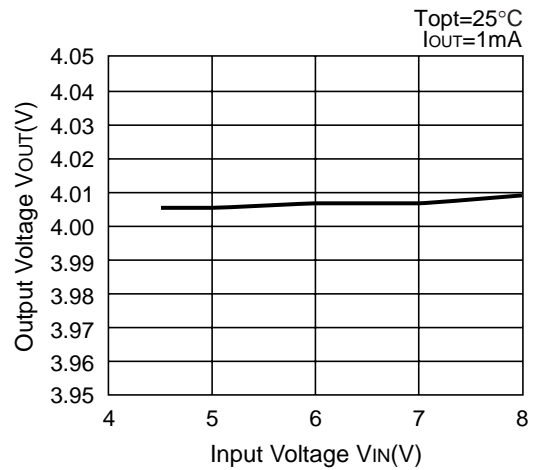
Rx5RW30B



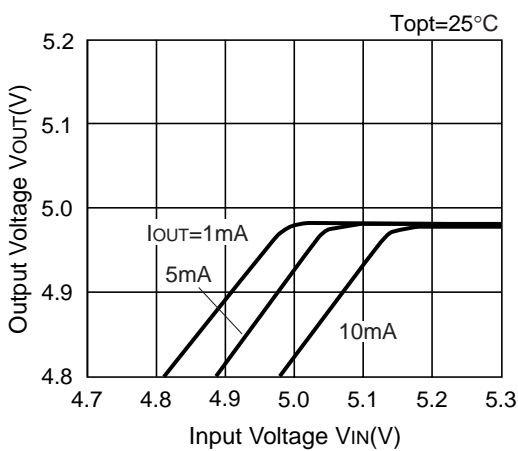
Rx5RW40B



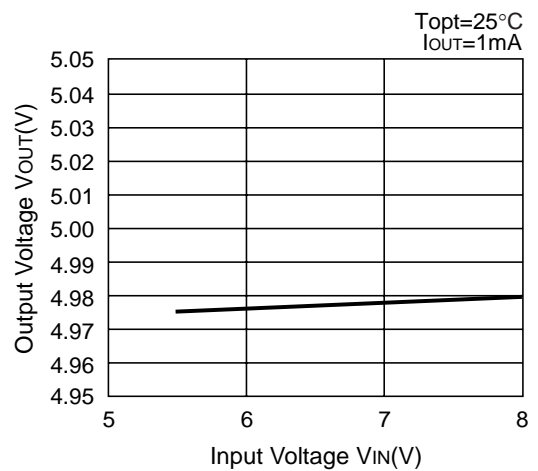
Rx5RW40B



Rx5RW50B

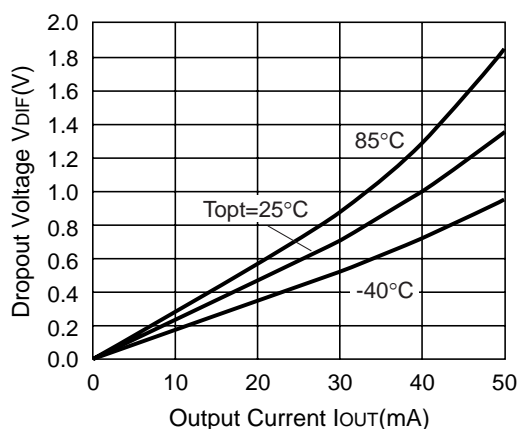


Rx5RW50B

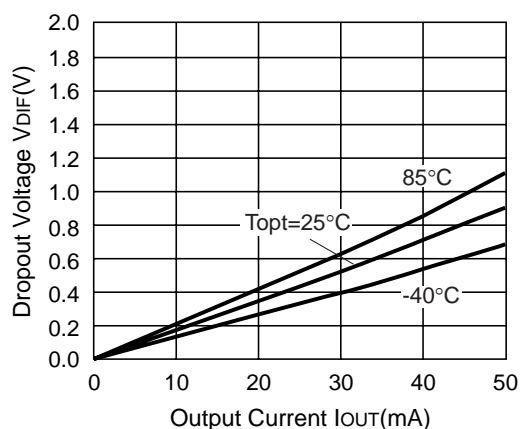


3) Dropout Voltage vs. Output Current

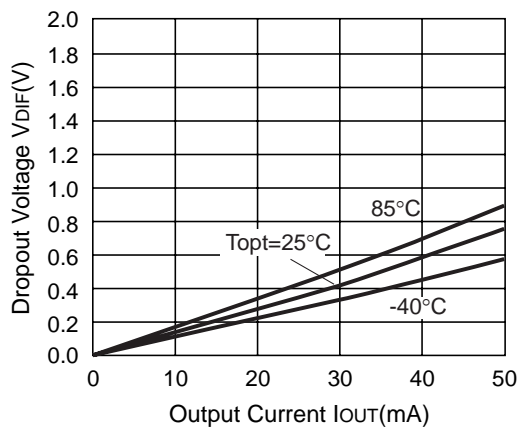
Rx5RW30B



Rx5RW40B

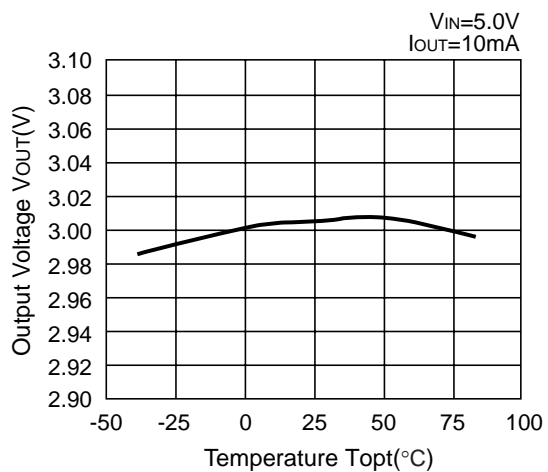


Rx5RW50B

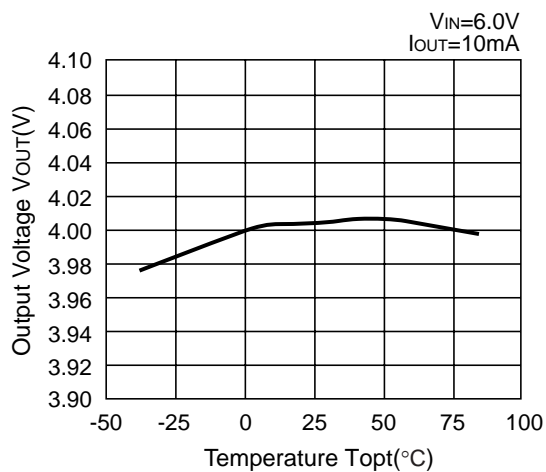


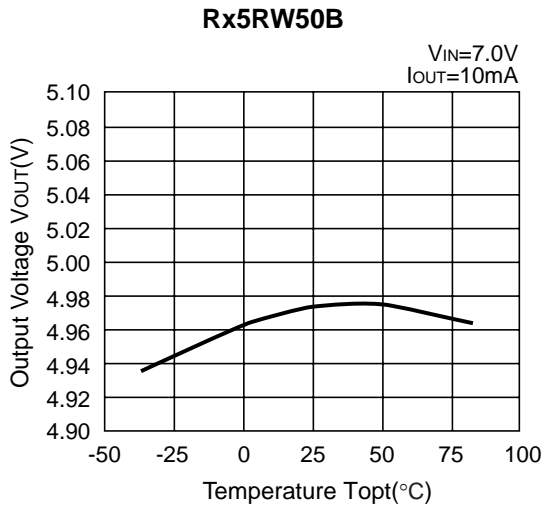
4) Output Voltage vs. Temperature

Rx5RW30B

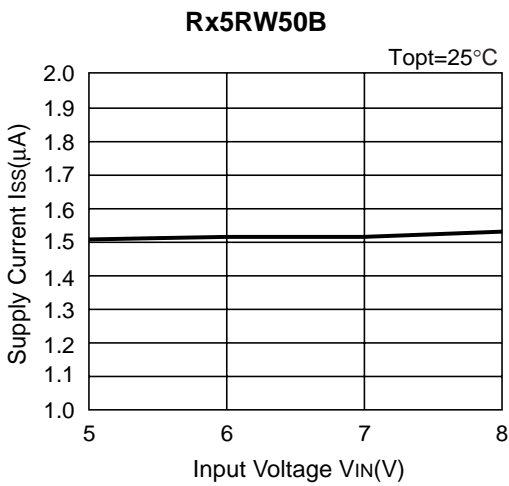
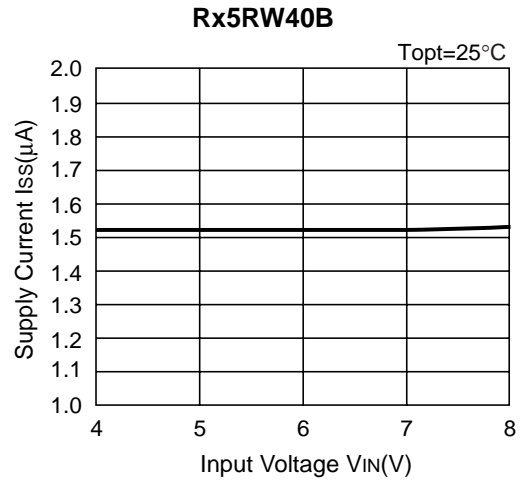
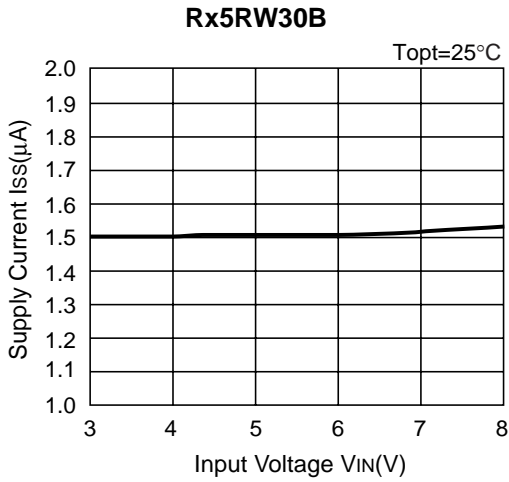


Rx5RW40B



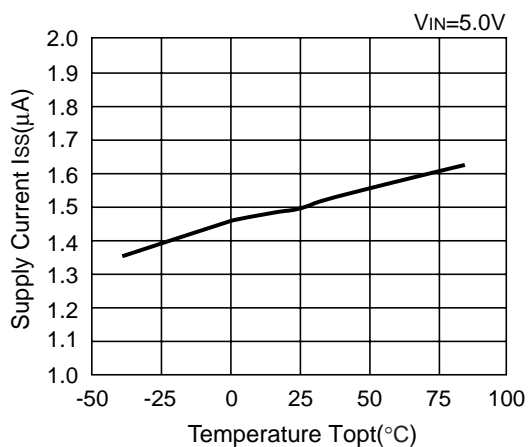


5) Supply Current vs. Input Voltage

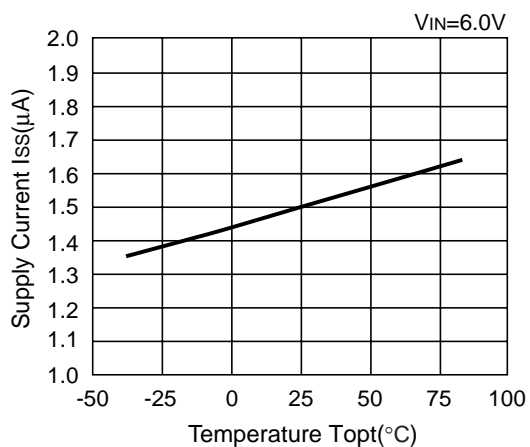


6) Supply Current vs. Temperature

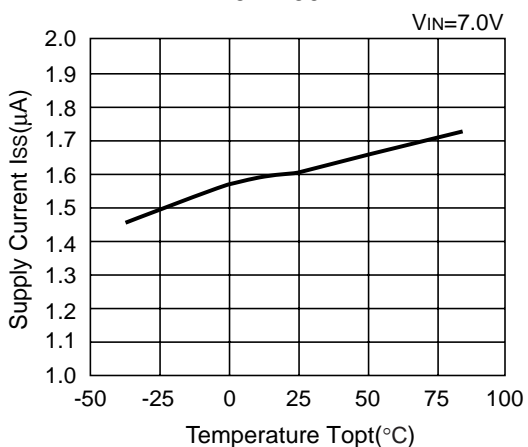
Rx5RW30B



Rx5RW40B

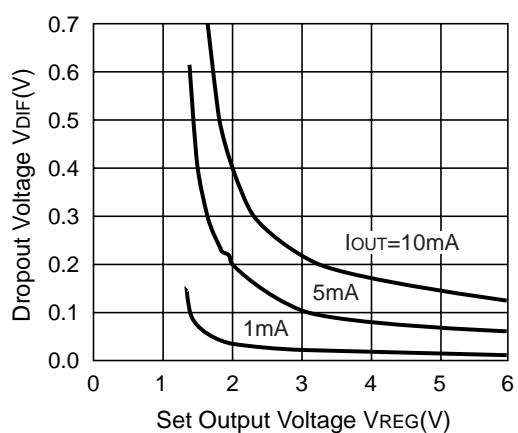


Rx5RW50B

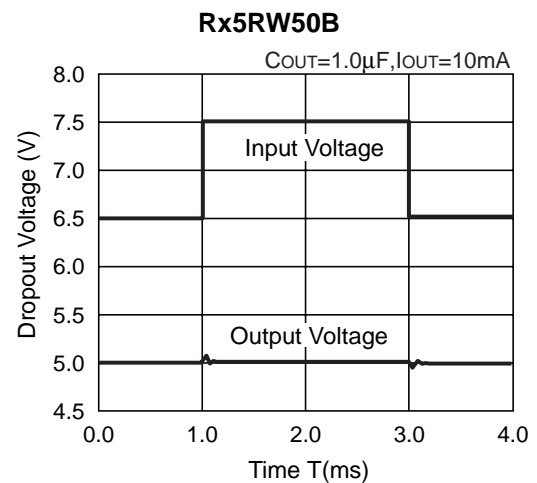
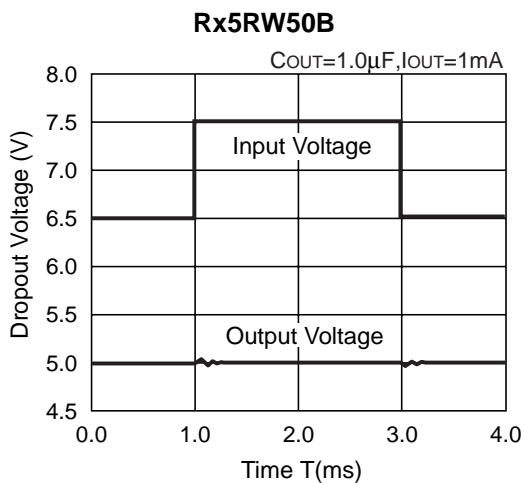
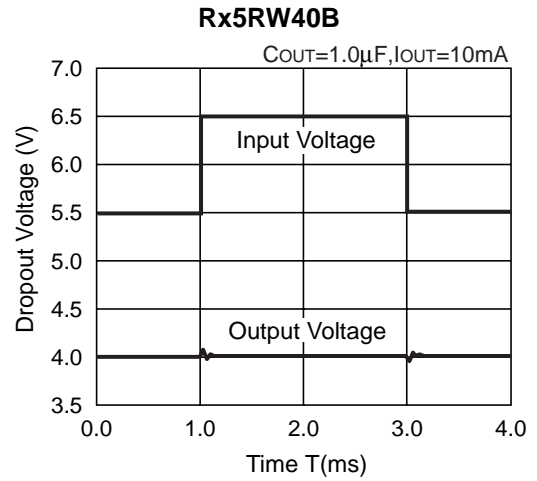
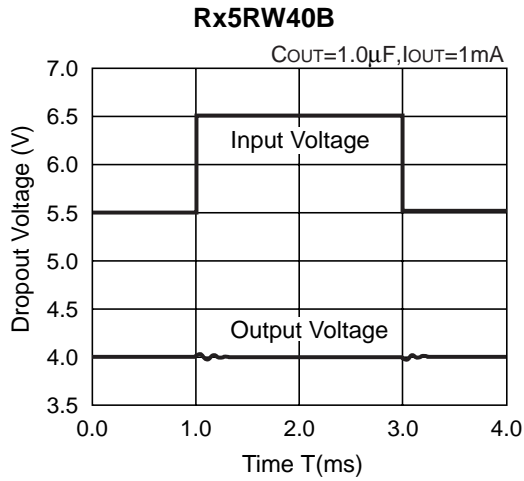
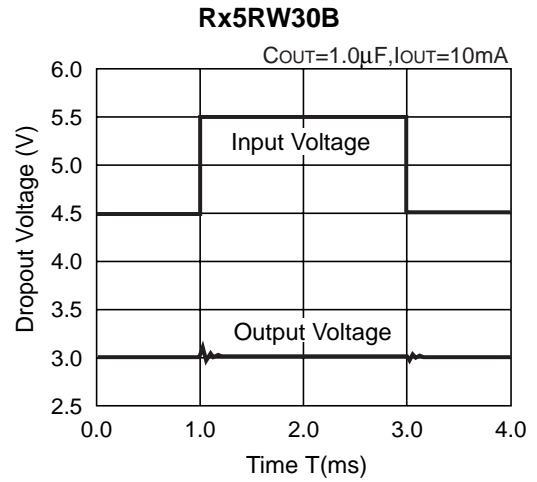
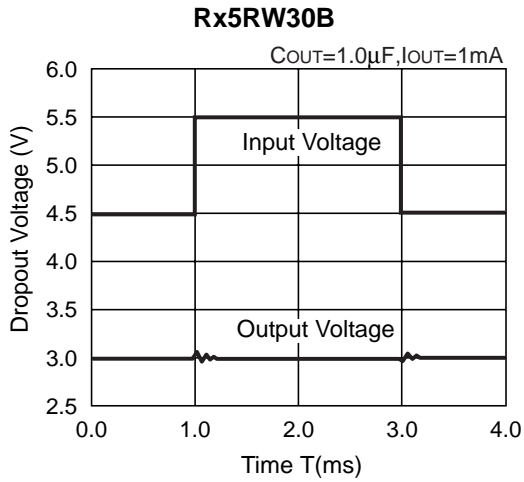


7) Dropout Voltage vs. Set Output Voltage

Rx5RWxxB

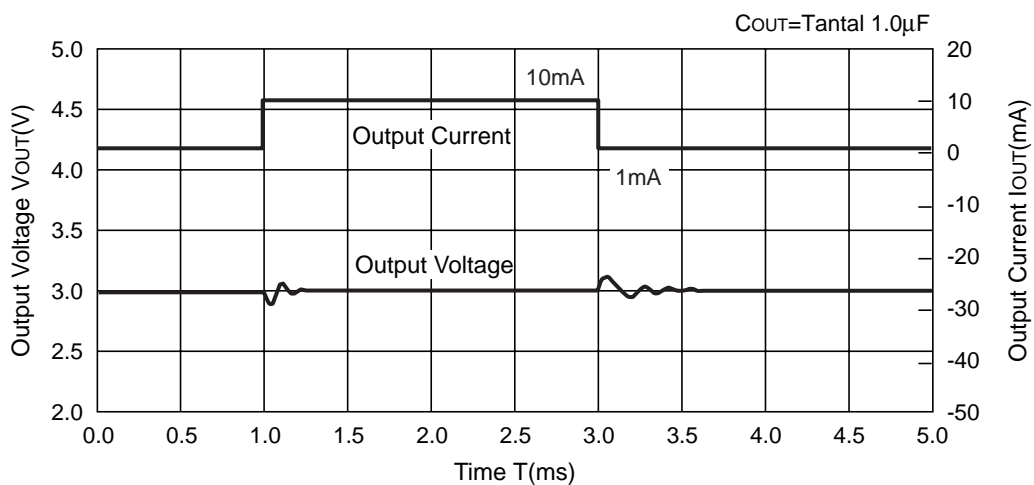


8) Line Transient Response

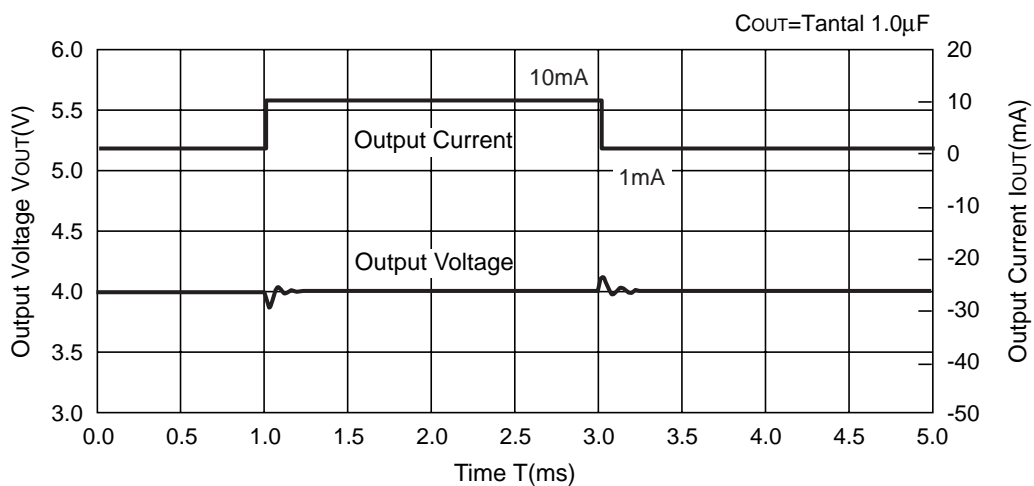


9) Load Transient Response

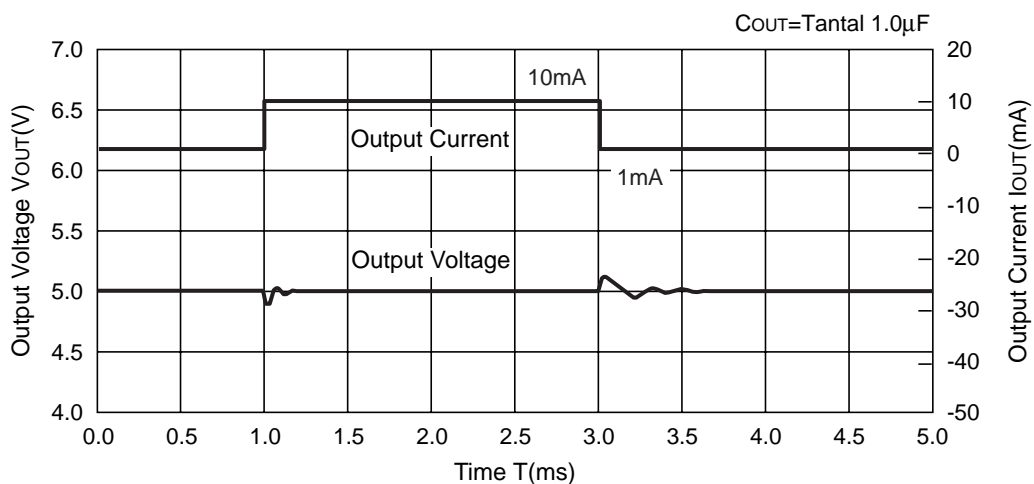
Rx5RW30B

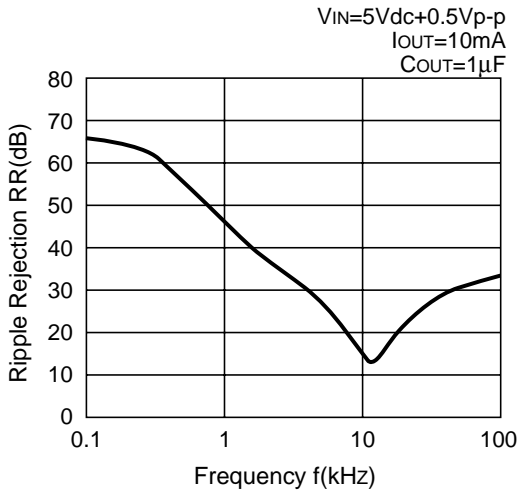
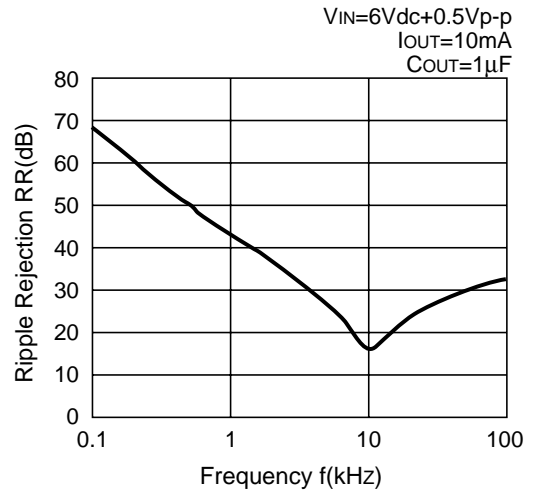
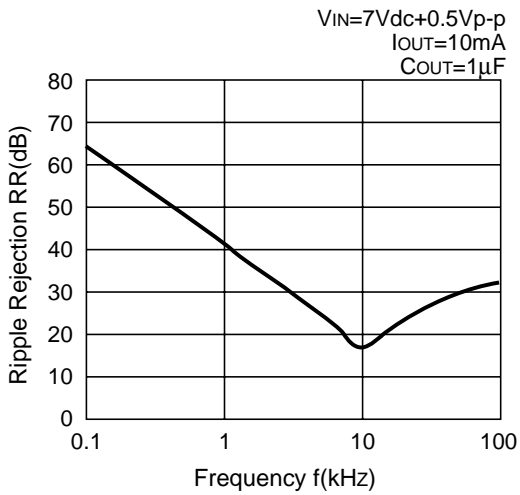


Rx5RW40B



Rx5RW50B



10) Ripple Rejection**Rx5RW30B****Rx5RW40B****Rx5RW50B**



1. The products and the product specifications described in this document are subject to change or discontinuation of production without notice for reasons such as improvement. Therefore, before deciding to use the products, please refer to Ricoh sales representatives for the latest information thereon.
2. The materials in this document may not be copied or otherwise reproduced in whole or in part without prior written consent of Ricoh.
3. Please be sure to take any necessary formalities under relevant laws or regulations before exporting or otherwise taking out of your country the products or the technical information described herein.
4. The technical information described in this document shows typical characteristics of and example application circuits for the products. The release of such information is not to be construed as a warranty of or a grant of license under Ricoh's or any third party's intellectual property rights or any other rights.
5. The products listed in this document are intended and designed for use as general electronic components in standard applications (office equipment, telecommunication equipment, measuring instruments, consumer electronic products, amusement equipment etc.). Those customers intending to use a product in an application requiring extreme quality and reliability, for example, in a highly specific application where the failure or misoperation of the product could result in human injury or death (aircraft, spacevehicle, nuclear reactor control system, traffic control system, automotive and transportation equipment, combustion equipment, safety devices, life support system etc.) should first contact us.
6. We are making our continuous effort to improve the quality and reliability of our products, but semiconductor products are likely to fail with certain probability. In order to prevent any injury to persons or damages to property resulting from such failure, customers should be careful enough to incorporate safety measures in their design, such as redundancy feature, fire containment feature and fail-safe feature. We do not assume any liability or responsibility for any loss or damage arising from misuse or inappropriate use of the products.
7. Anti-radiation design is not implemented in the products described in this document.
8. The X-ray exposure can influence functions and characteristics of the products. Confirm the product functions and characteristics in the evaluation stage.
9. WLCSP products should be used in light shielded environments. The light exposure can influence functions and characteristics of the products under operation or storage.
10. There can be variation in the marking when different AOI (Automated Optical Inspection) equipment is used. In the case of recognizing the marking characteristic with AOI, please contact Ricoh sales or our distributor before attempting to use AOI.
11. Please contact Ricoh sales representatives should you have any questions or comments concerning the products or the technical information.



Ricoh is committed to reducing the environmental loading materials in electrical devices with a view to contributing to the protection of human health and the environment.

Ricoh has been providing RoHS compliant products since April 1, 2006 and Halogen-free products since April 1, 2012.

RICOH RICOH ELECTRONIC DEVICES CO., LTD.

<http://www.e-devices.ricoh.co.jp/en/>

Sales & Support Offices

RICOH ELECTRONIC DEVICES CO., LTD.

Higashi-Shinagawa Office (International Sales)
3-32-3, Higashi-Shinagawa, Shinagawa-ku, Tokyo 140-8655, Japan
Phone: +81-3-5479-2857 Fax: +81-3-5479-0502

RICOH EUROPE (NETHERLANDS) B.V.

Semiconductor Support Centre
Prof. W.H. Keesomlaan 1, 1183 DJ Amstelveen, The Netherlands
Phone: +31-20-5474-309

RICOH INTERNATIONAL B.V. - German Branch

Semiconductor Sales and Support Centre
Oberrather Strasse 6, 40472 Düsseldorf, Germany
Phone: +49-211-6546-0

RICOH ELECTRONIC DEVICES KOREA CO., LTD.

3F, Haesung Bldg, 504, Teheran-ro, Gangnam-gu, Seoul, 135-725, Korea
Phone: +82-2-2135-5700 Fax: +82-2-2051-5713

RICOH ELECTRONIC DEVICES SHANGHAI CO., LTD.

Room 403, No.2 Building, No.690 Bibo Road, Pu Dong New District, Shanghai 201203, People's Republic of China
Phone: +86-21-5027-3200 Fax: +86-21-5027-3299

RICOH ELECTRONIC DEVICES CO., LTD.

Taipei office
Room 109, 10F-1, No.51, Hengyang Rd., Taipei City, Taiwan (R.O.C.)
Phone: +886-2-2313-1621/1622 Fax: +886-2-2313-1623