

---

## USB HIGH-SIDE POWER SWITCH

---

NO.EA-168-120921

### OUTLINE

The R5523N Series is CMOS-based high-side MOSFET switch IC for Universal Serial Bus (USB) applications. Low ON Resistance (Typ.130m $\Omega$ ) and low supply current (Typ.20 $\mu$ A at active mode) are realized in this IC.

An over-current limit circuit, a thermal shutdown circuit, and an under voltage lockout (UVLO) circuit are built-in as protection circuits. Further, a delay circuit for flag signal after detecting over-current, is embedded to prevent miss-operation of error flag because of inrush current. The R5523N Series is ideal for applications of protection for USB power supply. Since the package is small SOT-23-5, high density mounting on board is possible.

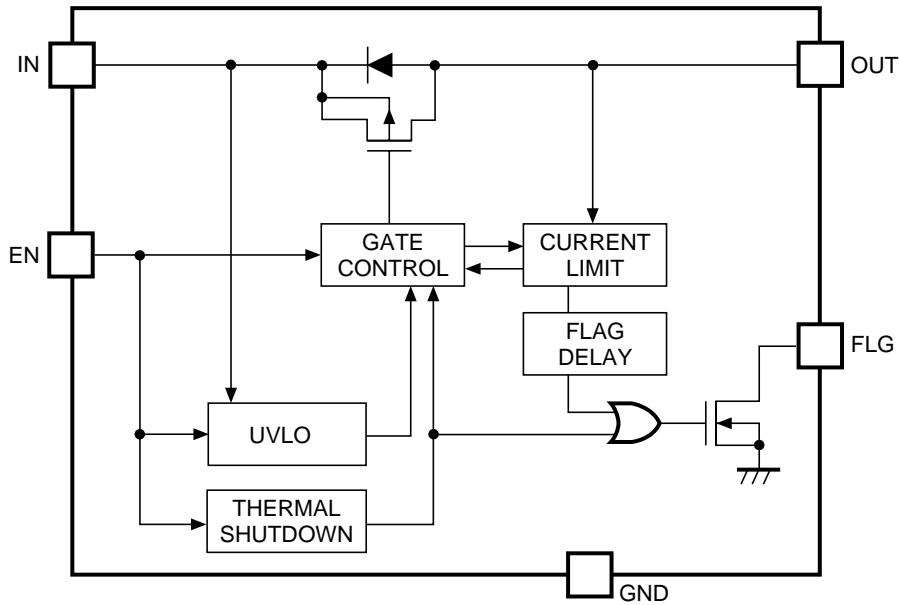
### FEATURES

- Built-in P-channel MOSFET Switch
- Supply Current ..... Typ. 20 $\mu$ A (at Active Mode)
- Switch ON Resistance ..... Typ. 130m $\Omega$
- Output Current ..... Min. 500mA
- Flag Delay Time ..... Typ. 10ms.
- Package ..... SOT-23-5
- Over- Current Limit / Short Circuit Protection
- Built-in Under Voltage Lockout (UVLO) Function
- Built-in Thermal Shutdown Protection
- Built-in Soft-start Function

### APPLICATIONS

- USB Peripherals
- Notebook PCs

## BLOCK DIAGRAM

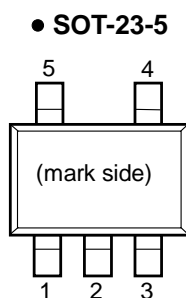


## SELECTION GUIDE

The logic of the enable pin for the ICs can be selected at the user's request.

Product Name	Package	Quantity per Reel	Pb Free	Halogen Free
R5523N001*-TR-FE	SOT-23-5	3,000 pcs	Yes	Yes
* : Designation of the logic of the enable pin. (A) "L" active (B) "H" active				

## PIN CONFIGURATIONS



## PIN DESCRIPTION

Pin No	Symbol	Pin Description
1	EN	Enable Pin
2	GND	Ground Pin
3	FLG	FLG pin (Open Drain Output)
4	V <sub>IN</sub>	Power Supply Pin
5	V <sub>OUT</sub>	Output Pin

## ABSOLUTE MAXIMUM RATINGS

Symbol	Item	Rating	Unit
V <sub>IN</sub>	Input Voltage	6.5	V
V <sub>EN</sub>	Enable Pin Input Voltage	-0.3 to V <sub>IN</sub> +0.3	V
V <sub>FLG</sub>	Flag Voltage	-0.3 to 6.5	V
I <sub>FLG</sub>	Flag Current	14	mA
V <sub>OUT</sub>	Output Voltage	-0.3 to V <sub>IN</sub> +0.3	V
I <sub>OUT</sub>	Output Current	Internal Limited	
P <sub>D</sub>	Power Dissipation (SOT-23-5) *Note1	420	mW
T <sub>opt</sub>	Operating Temperature	-40 to +85	°C
T <sub>stg</sub>	Storage Temperature	-55 to +125	°C

\*Note1) For Power Dissipation please refer to PACKAGE INFORMATION to be described.

### ABSOLUTE MAXIMUM RATINGS

Electronic and mechanical stress momentarily exceeded absolute maximum ratings may cause the permanent damages and may degrade the life time and safety for both device and system using the device in the field.

The functional operation at or over these absolute maximum ratings is not assured.

### POWER DISSIPATION (SOT-23-5)

This specification is at mounted on board. Power Dissipation ( $P_D$ ) depends on conditions of mounting on board. This specification is based on the measurement at the condition below:  
 (Power Dissipation (SOT-23-5) is substitution of SOT-23-6.)

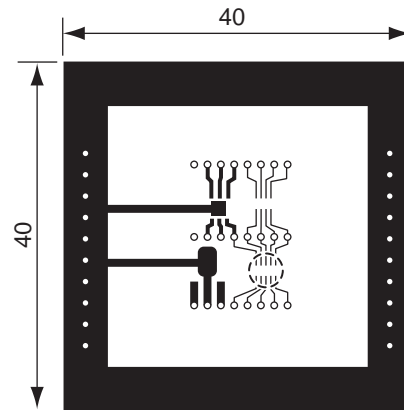
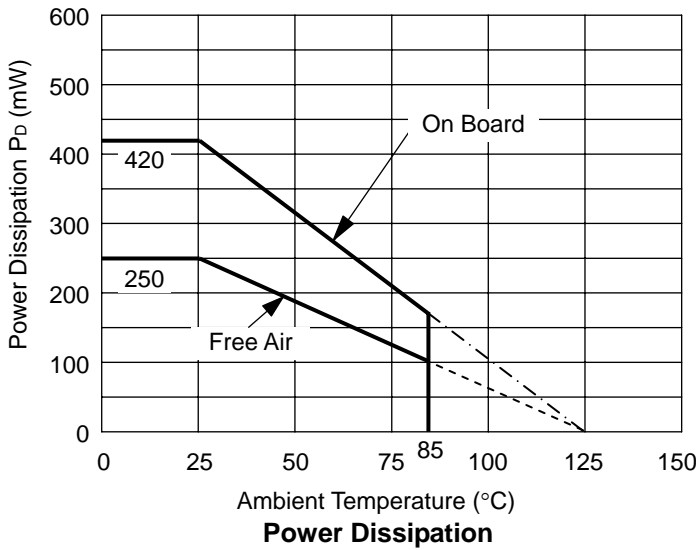
Measurement Conditions

	Standard Land Pattern
Environment	Mounting on Board (Wind velocity=0m/s)
Board Material	Glass cloth epoxy plastic (Double sided)
Board Dimensions	40mm × 40mm × 1.6mm
Copper Ratio	Top side : Approx. 50% , Back side : Approx. 50%
Through-holes	φ0.5mm × 44pcs

Measurement Results

( $T_{opt}=25^{\circ}C$ ,  $T_{jmax}=125^{\circ}C$ )

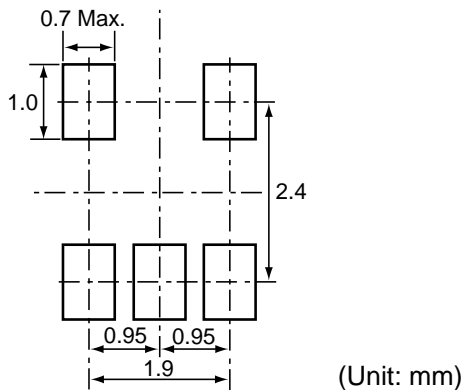
	Standard Land Pattern	Free Air
Power Dissipation	420mW	250mW
Thermal Resistance	$\theta_{ja}=(125-25^{\circ}C)/0.42W=238^{\circ}C/W$	400 $^{\circ}C/W$



Measurement Board Pattern

○ IC Mount Area (Unit: mm)

### RECOMMENDED LAND PATTERN



## ELECTRICAL CHARACTERISTICS

### • R5523N001A/B

(T<sub>opt</sub>=25°C)

Symbol	Item	Conditions	MIN.	TYP.	MAX.	Unit
V <sub>IN</sub>	Input Voltage		2.2		5.5	V
I <sub>DD1</sub>	Supply Current 1 (Enabled)	V <sub>OUT</sub> =open * <sup>1</sup>		20	45	μA
I <sub>DD2</sub>	Supply Current 2 (Disabled)	V <sub>OUT</sub> =open * <sup>2</sup>		0.1	1.0	μA
R <sub>ON</sub>	Switch On Resistance	V <sub>IN</sub> =5V, I <sub>OUT</sub> =500mA		130	180	mΩ
t <sub>on</sub>	Output Turn-on Delay	V <sub>IN</sub> =5V, R <sub>L</sub> =60Ω		1400		μs
t <sub>off</sub>	Output Turn-off Delay	V <sub>IN</sub> =5V, R <sub>L</sub> =60Ω		5		μs
V <sub>UVLO</sub>	UVLO Threshold	V <sub>IN</sub> =increasing	1.6	1.9		V
V <sub>HYS</sub>	UVLO Hysteresis Range	V <sub>IN</sub> =decreasing		0.1		V
I <sub>TH</sub>	Current Limit Threshold			1.0	1.5	A
I <sub>lim</sub>	Short Current Limit	V <sub>IN</sub> =5V, 5ms after V <sub>OUT</sub> =0V	0.5	0.75	1.3	A
t <sub>FD</sub>	Over Current Flag Delay	V <sub>IN</sub> =5V, From Over Current to FLG= "L"	5	10	20	ms
T <sub>TS</sub>	Thermal Shutdown Temperature Threshold	T <sub>J</sub> =increasing		135		°C
		T <sub>J</sub> =decreasing		120		°C
I <sub>EN</sub>	Enable Pin Input Current			0.01	1.0	μA
V <sub>EN1</sub>	Enable Pin Input Voltage 1	V <sub>EN</sub> =increasing	2.0			V
V <sub>EN2</sub>	Enable Pin Input Voltage 2	V <sub>EN</sub> =decreasing			0.8	V
I <sub>LO</sub>	Output Leakage Current			0.1	1.0	μA
V <sub>LF</sub>	Flag "L" Output Voltage	I <sub>SINK</sub> =1mA			0.4	V
I <sub>FOF</sub>	Flag Off Current	V <sub>FLG</sub> =5.5V		0.01	1.0	μA

\*1) EN= "L" (R5523NxxxA), EN= "H" (R5523NxxxB)

\*2) EN= "H" (R5523NxxxA), EN= "L" (R5523NxxxB)

#### RECOMMENDED OPERATING CONDITIONS (ELECTRICAL CHARACTERISTICS)

All of electronic equipment should be designed that the mounted semiconductor devices operate within the recommended operating conditions.

The semiconductor devices cannot operate normally over the recommended operating conditions, even if when they are used over such conditions by momentary electronic noise or surge.

And the semiconductor devices may receive serious damage when they continue to operate over the recommended operating conditions.

## OPERATION

This explanation is based on the typical application.

- There is a parasitic diode between source and drain of the switch transistor. (Refer to the block diagram.) Because of this, in both cases of enable and disable, if the voltage of  $V_{OUT}$  pin is higher than  $V_{IN}$  pin, current flows from  $V_{OUT}$  to  $V_{IN}$ .
- In case that  $V_{OUT}$  pin and GND is short, if over-current would continue, the temperature of the IC would increase drastically. If the temperature of the IC is beyond 135°C, the switch transistor turns off and the FLG pin level becomes "L". Then, when the temperature of the IC decreases equal or lower than 120°C, the switch transistor turns on and FLG becomes "H". Unless the abnormal situation of  $V_{OUT}$  pin is removed, the switch transistor repeats on and off. Refer to the 24) Thermal Shutdown operation in the typical characteristics.
- Over-current level is set internally in the IC. There are three types of response against over-current: Under the condition that  $V_{OUT}$  pin is short or large capacity is loaded, if the IC is enabled, the IC becomes constant current state. After the flag delay time passes, FLG becomes "L", that means over current state. Refer to the 23) current limit transient response of typical characteristics. While the switch transistor is on, if  $V_{OUT}$  pin is short or large capacity is loaded, until the current limit circuit responds, large transient current flows. After the transient current is beyond the over-current detector threshold and delay time of the flag passes, FLG becomes "L", that means over current state. Refer to the 25), 26) over-current limit transient response of typical characteristics. In the case that load current gradually increases, the IC is not into the constant current state until the current is beyond over current limit. Once the level is beyond the over current detector threshold, load current is limited into over current limit level. Note that load current continuously flows until the load current is beyond the over-current detector threshold.
- FLG pin is Nch Open drain output. If the over-current or over-temperature is detected, FLG becomes "L". If over-current is detected, FLG becomes "L" after the flag delay time  $t_{FD}$  passes. Therefore flag signal is not out with inrush current.
- UVLO circuit prevents that the switch transistor turns on until the input voltage is beyond 1.9V. UVLO circuit can operate when the IC is enabled.

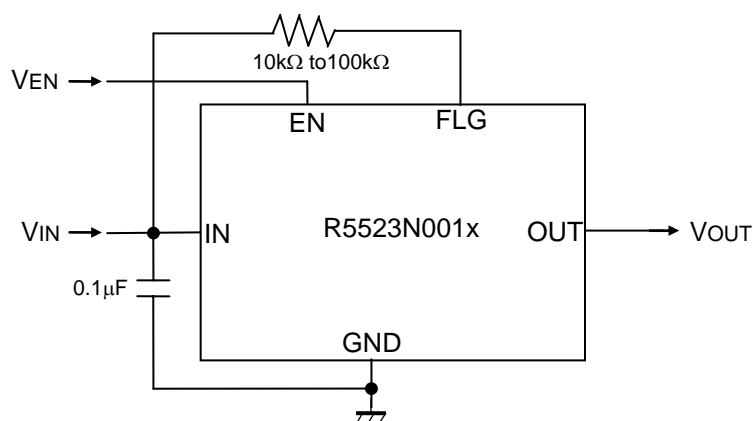
## TYPICAL APPLICATION AND TECHNICAL NOTES

### • Bypass capacitor

- Put a capacitance range from 0.1 $\mu$ F to 1 $\mu$ F bypass capacitor between  $V_{IN}$  pin and GND pin of the IC. Without a bypass capacitor, in case of output short, because of the high side inductance of  $V_{IN}$  pin, the ringing may be generated and it might be a cause of an unstable operation.

### • Pull-up resistance value range of flag pin

- Recommended pull-up resistance value range of flag pin is from 10k $\Omega$  to 100k $\Omega$ .



R5523N001x Typical Application

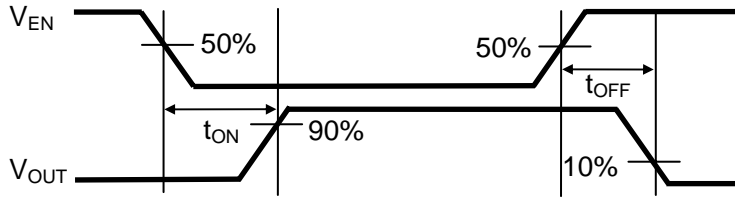
### • Over-current limit Function

In case that  $V_{OUT}$  pin and GND is short, if over-current would continue, the temperature of the IC would increase drastically. If the temperature of the IC is equal or more than 135°C (Typ.), the switch transistor turns off because of thermal shutdown protection. In other words, when the temperature of the IC becomes equal or more than 135°C (Typ.), both the over-current limit circuit and thermal shutdown circuit work for the protection of the IC.

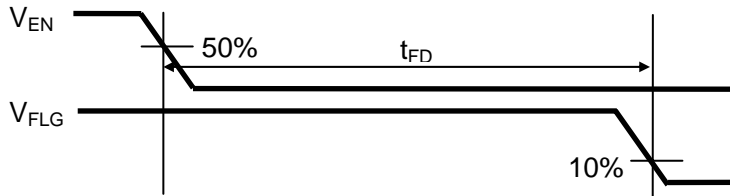
# TIMING CHART

- R5523N001A

Output On time/ Output Off time

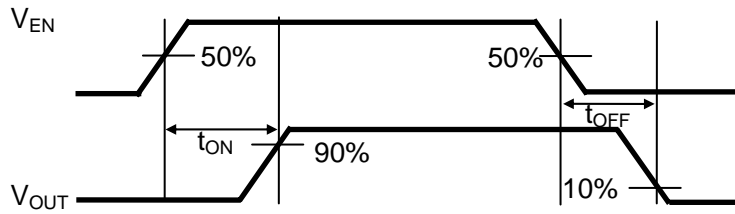


FLG Output Delay Time

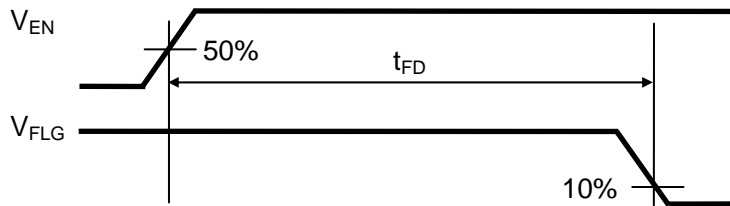


- R5523N001B

Output On time/ Output Off time

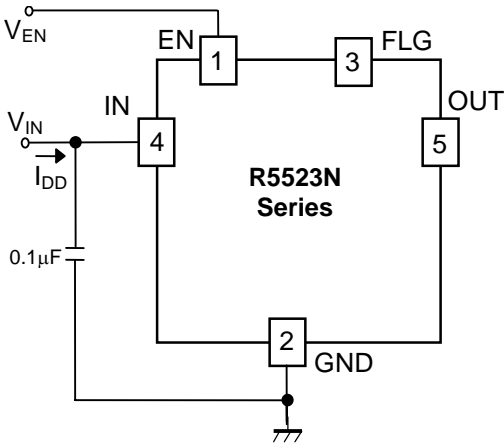


FLG Output Delay Time

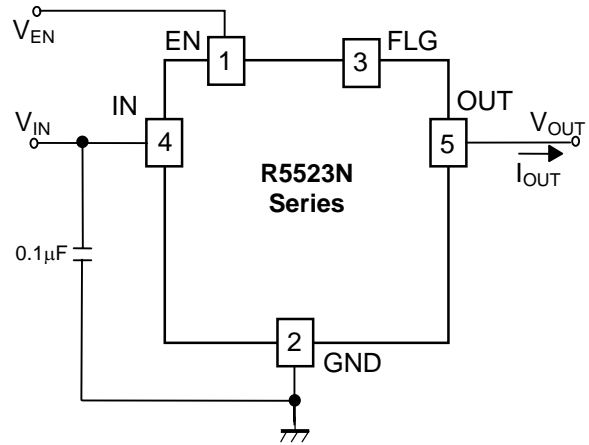




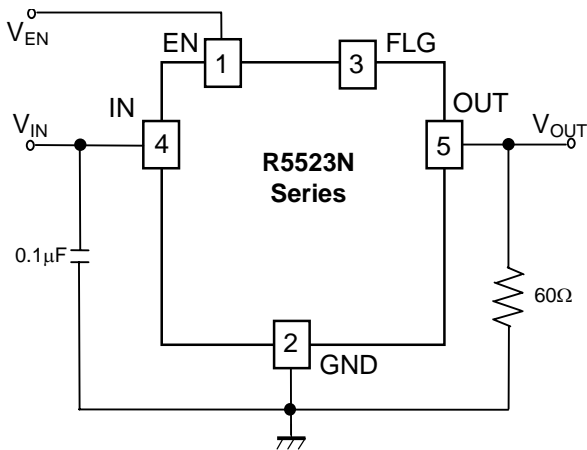
**TEST CIRCUITS**



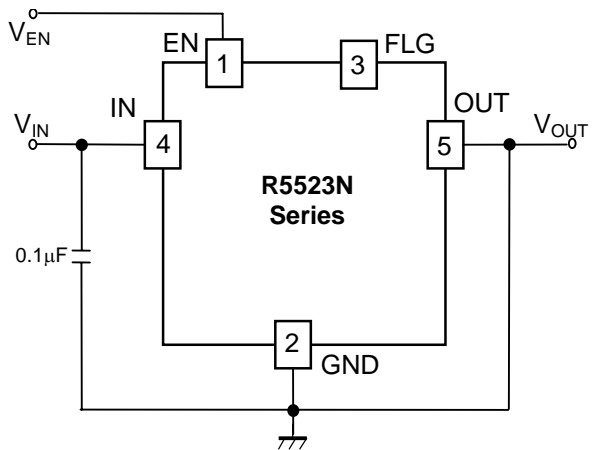
**Supply Current Test Circuit**



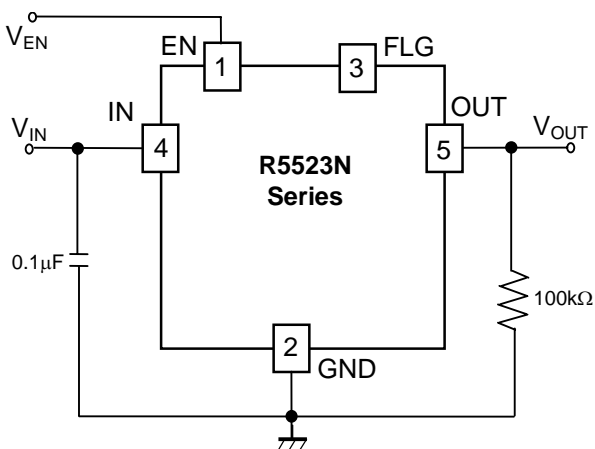
**Switch On Resistance / Over Current Limit Threshold Test Circuit**



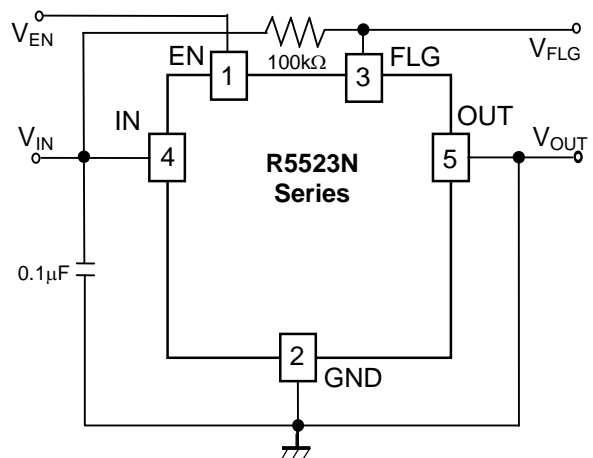
**Turn ON Speed / Turn OFF Speed Test Circuit**



**Short Current Limit Test Circuit**



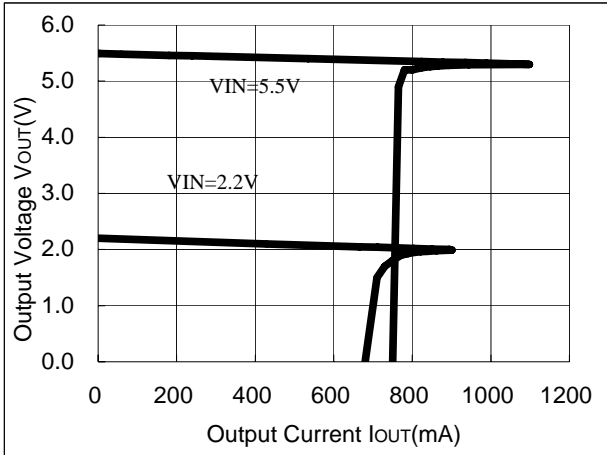
**Enable Input Voltage / UVLO Threshold Test Circuit**



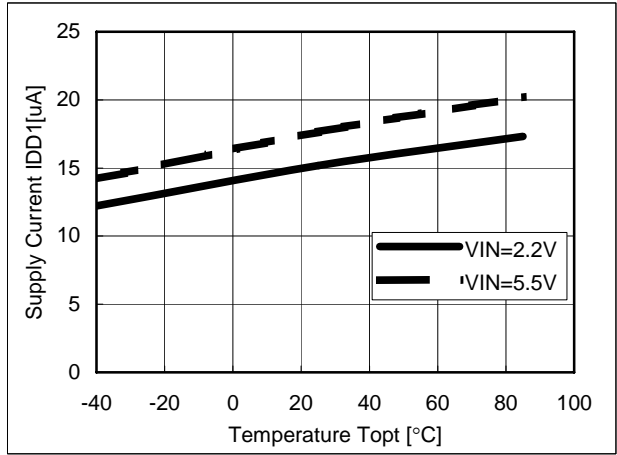
**FLG Delay Time Test Circuit**

## TYPICAL CHARACTERISTICS

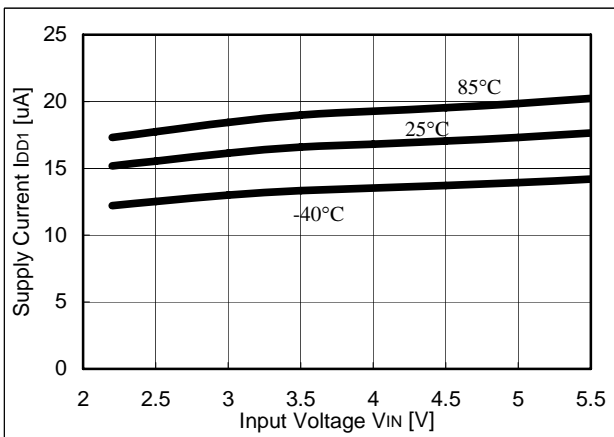
1) Output Voltage vs. Output Current



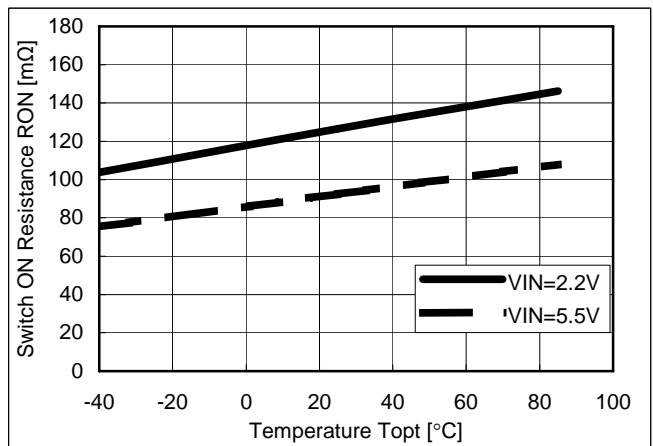
2) Supply Current vs. Temperature



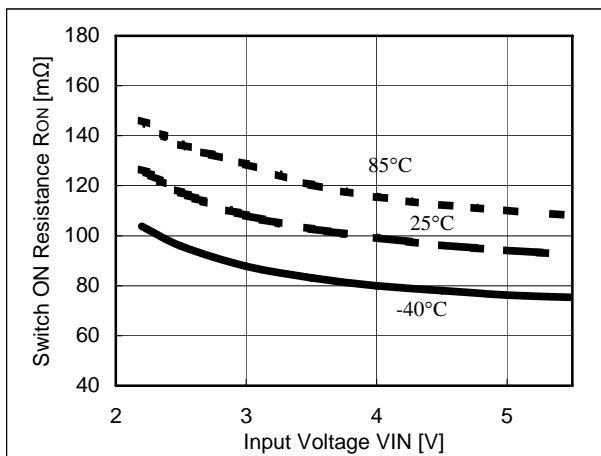
3) Supply Current vs. Input Voltage



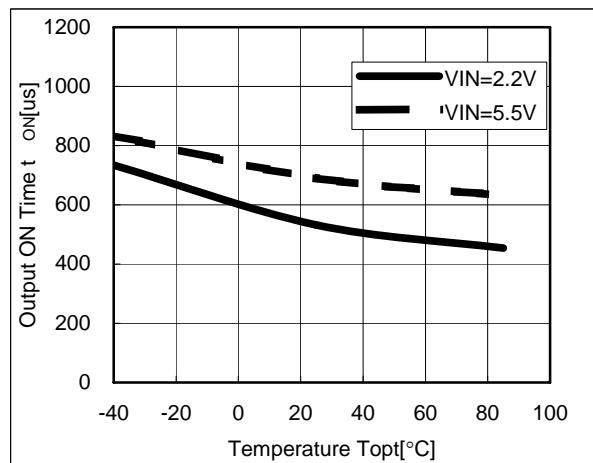
4) On Resistance vs. Temperature



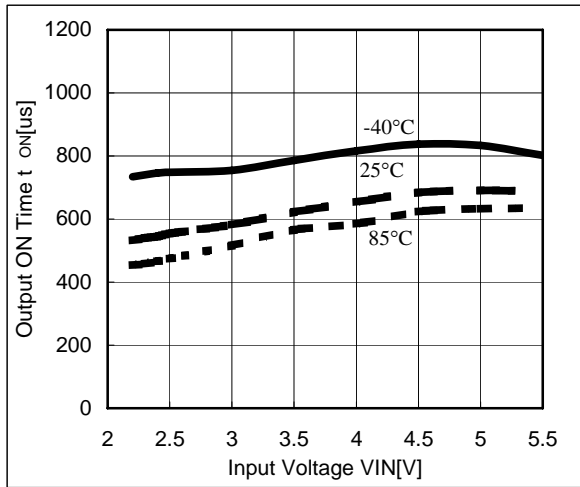
5) On Resistance vs. Input Voltage



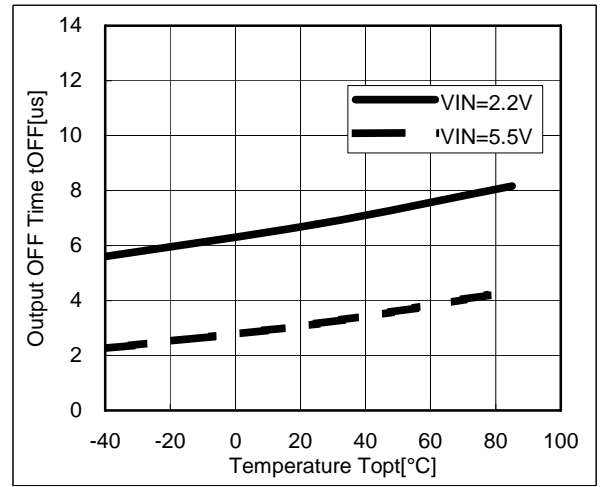
6) Output On Time vs. Temperature



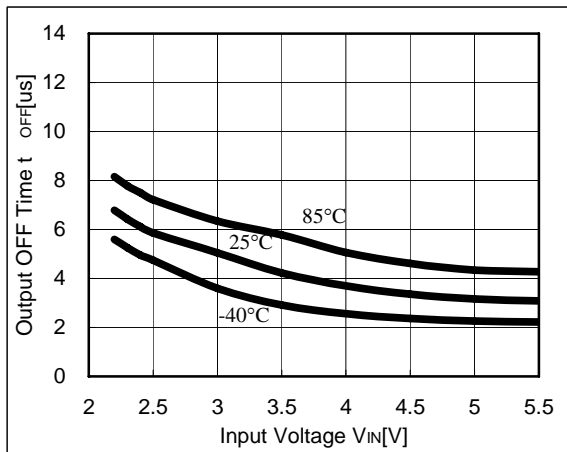
7) Output On Time vs. Input Voltage



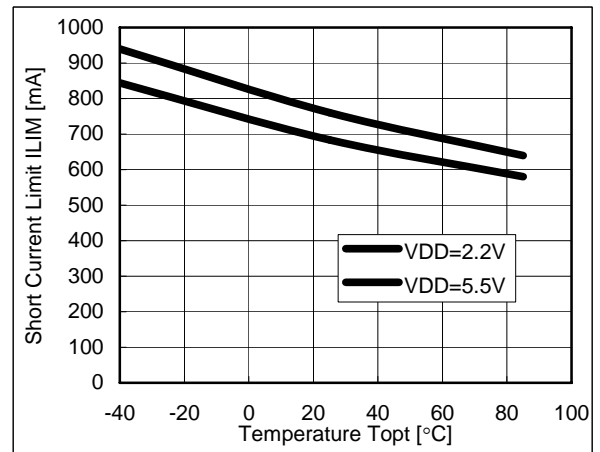
8) Output Off Time vs. Temperature



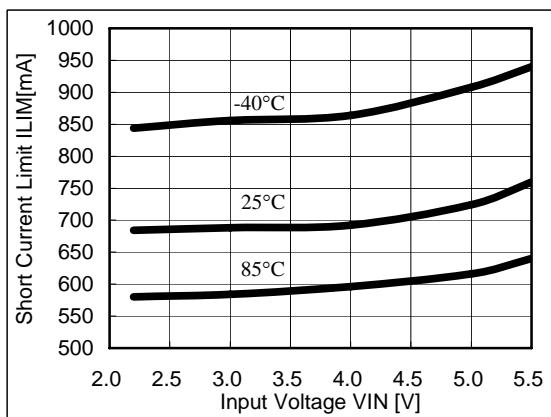
9) Output Off Time vs. Input Voltage



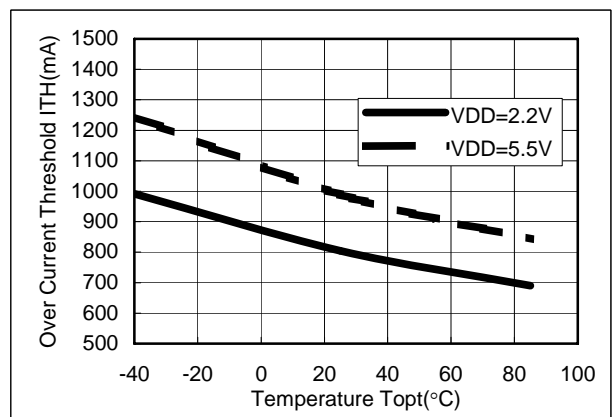
10) Short-current Limit vs. Temperature



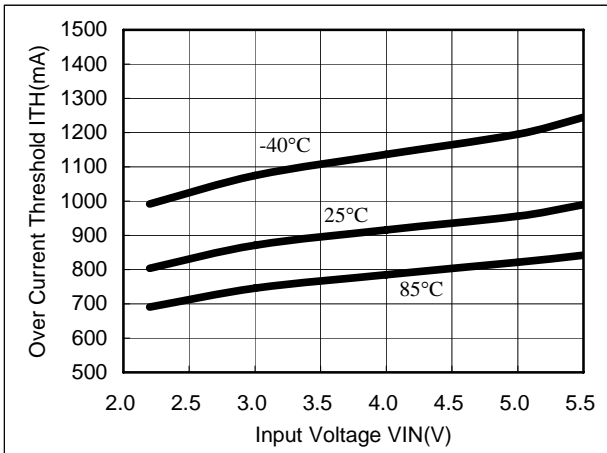
11) Short Current Limit vs. Input Voltage



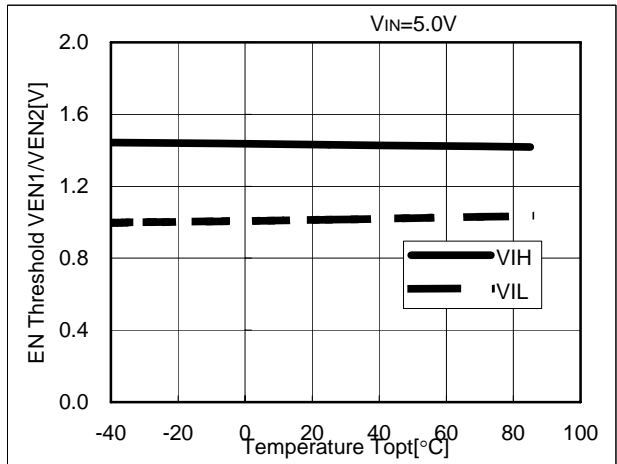
12) Over Current Threshold vs. Temperature



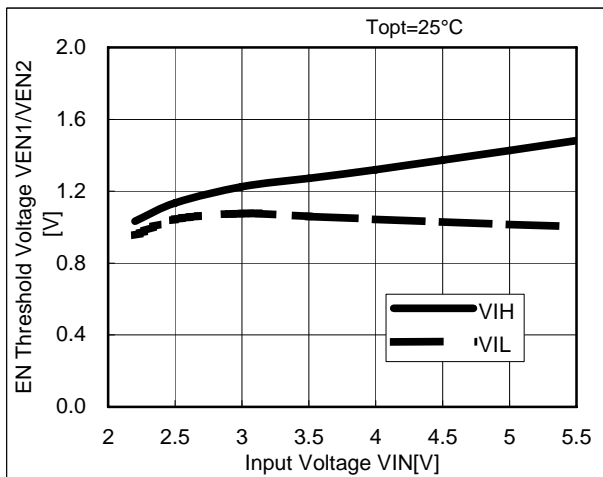
13) Over Current Threshold vs. Input Voltage



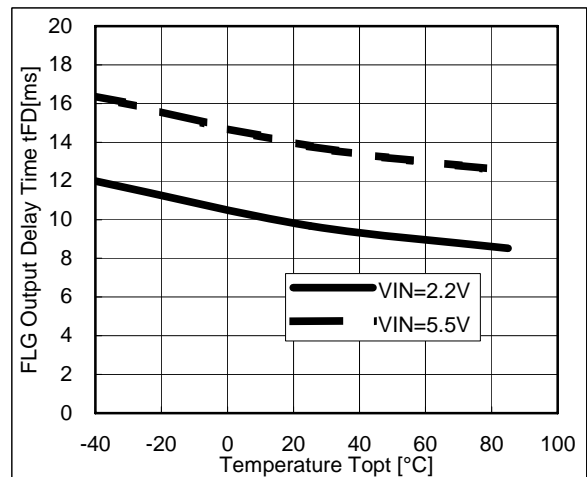
14) Enable Input Voltage vs. Temperature



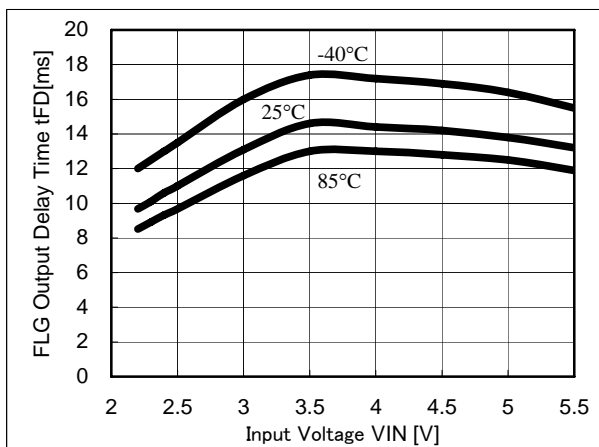
15) Enable Input Voltage vs. VIN Input Voltage



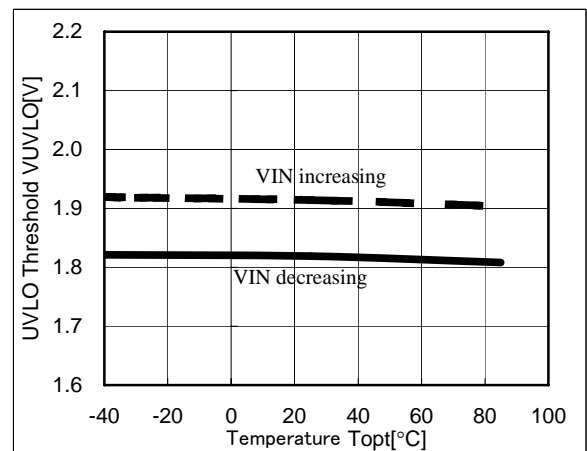
16) Flag Output Delay Time vs. Temperature



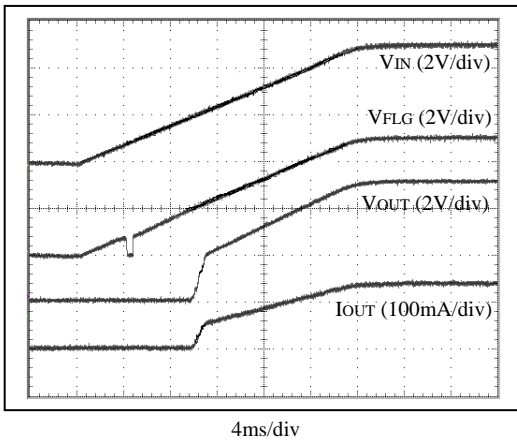
17) Flag Output Delay Time vs. VIN Input Voltage



18) UVLO Threshold vs. Temperature

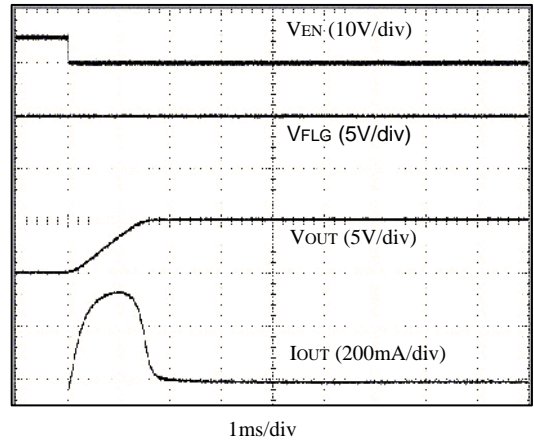


19) UVLO Characteristic at  $V_{IN}$  increasing  
 $V_{EN}=0V, C_L=47\mu F, R_L=35\Omega$



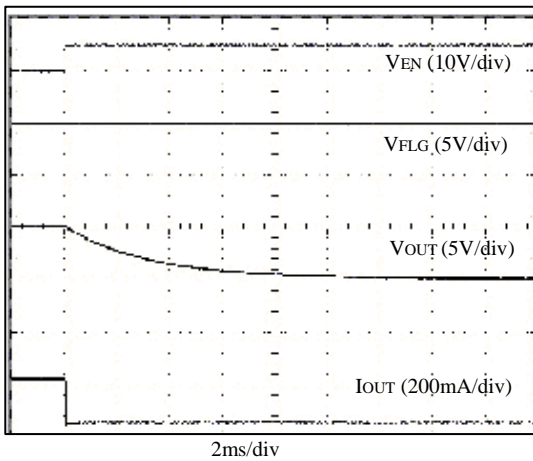
20) Turn on Response

$V_{IN}=5V, C_L=47\mu F, R_L=35\Omega$



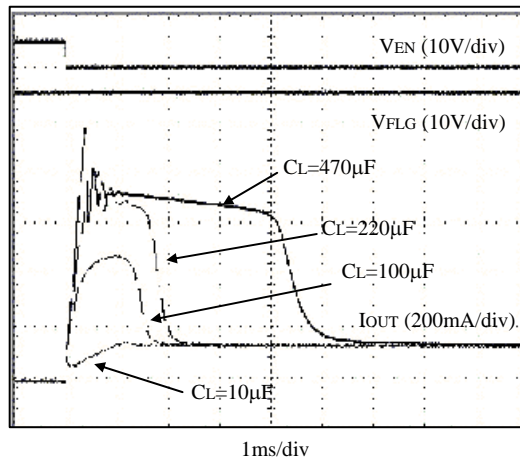
21) Turn off Response

$V_{IN}=5V, C_L=47\mu F, R_L=35\Omega$



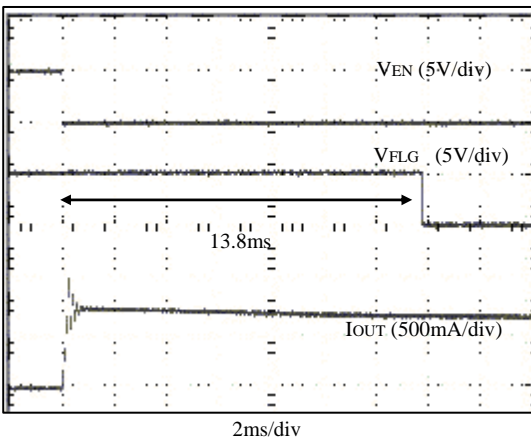
22) Inrush current

$V_{IN}=5V, R_L=35\Omega$



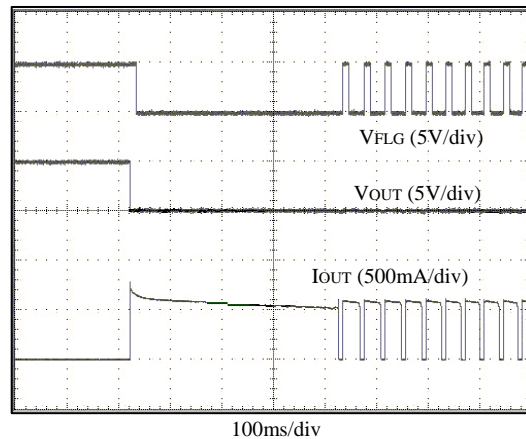
23) Current Limit Transient Response  
 (Case: Enable to Short)

$V_{IN}=5V$

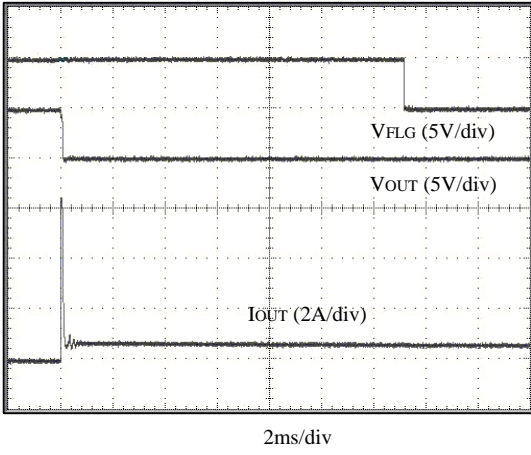


24) Thermal Shutdown Operation

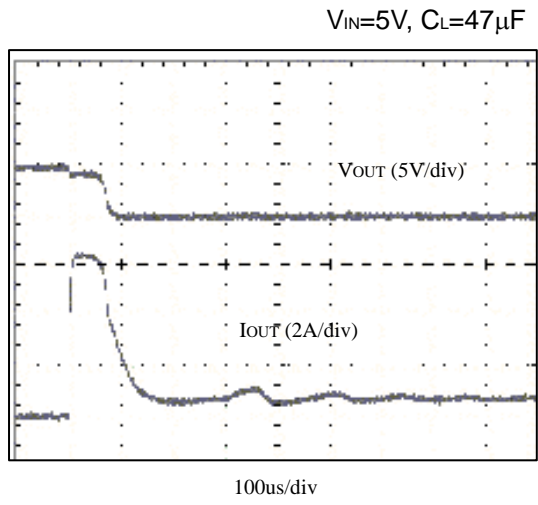
$V_{IN}=5V, C_L=47\mu F$



25) Current Limit Transient Response  
(Case: Output short during enable)  
 $V_{IN}=5V, C_L=47\mu F$



26) Zoomed in 25)





1. The products and the product specifications described in this document are subject to change or discontinuation of production without notice for reasons such as improvement. Therefore, before deciding to use the products, please refer to Ricoh sales representatives for the latest information thereon.
2. The materials in this document may not be copied or otherwise reproduced in whole or in part without prior written consent of Ricoh.
3. Please be sure to take any necessary formalities under relevant laws or regulations before exporting or otherwise taking out of your country the products or the technical information described herein.
4. The technical information described in this document shows typical characteristics of and example application circuits for the products. The release of such information is not to be construed as a warranty of or a grant of license under Ricoh's or any third party's intellectual property rights or any other rights.
5. The products listed in this document are intended and designed for use as general electronic components in standard applications (office equipment, telecommunication equipment, measuring instruments, consumer electronic products, amusement equipment etc.). Those customers intending to use a product in an application requiring extreme quality and reliability, for example, in a highly specific application where the failure or misoperation of the product could result in human injury or death (aircraft, spacevehicle, nuclear reactor control system, traffic control system, automotive and transportation equipment, combustion equipment, safety devices, life support system etc.) should first contact us.
6. We are making our continuous effort to improve the quality and reliability of our products, but semiconductor products are likely to fail with certain probability. In order to prevent any injury to persons or damages to property resulting from such failure, customers should be careful enough to incorporate safety measures in their design, such as redundancy feature, fire containment feature and fail-safe feature. We do not assume any liability or responsibility for any loss or damage arising from misuse or inappropriate use of the products.
7. Anti-radiation design is not implemented in the products described in this document.
8. The X-ray exposure can influence functions and characteristics of the products. Confirm the product functions and characteristics in the evaluation stage.
9. WLCSP products should be used in light shielded environments. The light exposure can influence functions and characteristics of the products under operation or storage.
10. There can be variation in the marking when different AOI (Automated Optical Inspection) equipment is used. In the case of recognizing the marking characteristic with AOI, please contact Ricoh sales or our distributor before attempting to use AOI.
11. Please contact Ricoh sales representatives should you have any questions or comments concerning the products or the technical information.



**Ricoh is committed to reducing the environmental loading materials in electrical devices with a view to contributing to the protection of human health and the environment.**

Ricoh has been providing RoHS compliant products since April 1, 2006 and Halogen-free products since April 1, 2012.

**RICOH** RICOH ELECTRONIC DEVICES CO., LTD.

<http://www.e-devices.ricoh.co.jp/en/>

#### Sales & Support Offices

##### **RICOH ELECTRONIC DEVICES CO., LTD.**

**Higashi-Shinagawa Office (International Sales)**  
3-32-3, Higashi-Shinagawa, Shinagawa-ku, Tokyo 140-8655, Japan  
Phone: +81-3-5479-2857 Fax: +81-3-5479-0502

##### **RICOH EUROPE (NETHERLANDS) B.V.**

**Semiconductor Support Centre**  
Prof. W.H. Keesomlaan 1, 1183 DJ Amstelveen, The Netherlands  
Phone: +31-20-5474-309

##### **RICOH INTERNATIONAL B.V. - German Branch**

**Semiconductor Sales and Support Centre**  
Oberrather Strasse 6, 40472 Düsseldorf, Germany  
Phone: +49-211-6546-0

##### **RICOH ELECTRONIC DEVICES KOREA CO., LTD.**

3F, Haesung Bldg, 504, Teheran-ro, Gangnam-gu, Seoul, 135-725, Korea  
Phone: +82-2-2135-5700 Fax: +82-2-2051-5713

##### **RICOH ELECTRONIC DEVICES SHANGHAI CO., LTD.**

Room 403, No.2 Building, No.690 Bibo Road, Pu Dong New District, Shanghai 201203, People's Republic of China  
Phone: +86-21-5027-3200 Fax: +86-21-5027-3299

##### **RICOH ELECTRONIC DEVICES CO., LTD.**

**Taipei office**  
Room 109, 10F-1, No.51, Hengyang Rd., Taipei City, Taiwan (R.O.C.)  
Phone: +886-2-2313-1621/1622 Fax: +886-2-2313-1623