

Li-Ion/Li-Polymer 1-Cell Protector

NO. EA-339-170112

OUTLINE

The R5486K is an overcharge protection IC for Lithium-ion (Li+)/Lithium polymer secondary battery. This device can detect over-charge, over-discharge, excess discharge and excess charge current of one-cell Li-ion (Li+)/Li-ion polymer battery. The external resistor added to the RSENS pin can enhance a high precision overcurrent detection. The excess discharge current detection has two stages of detections to ensure the detection accuracy. The current consumption after the over-discharge detection is suppressed by stopping the internal circuits.

FEATURES

- Absolute Maximum Rating 30 V
- Supply Current (Normal Mode) Typ. 4.0 μ A
- Supply Current (Standby Mode) Max. 0.1 μ A

Detector Thresholds Accuracy

- Over-charge Detector Threshold ± 20 mV
- Over-discharge Detector Threshold ± 35 mV
- Excess Discharge Current Threshold 1 (V_{DET31}) $\pm 8\%$ ($V_{DET31} \geq 0.038$ V)
- Excess Discharge Current Threshold 1 (V_{DET31}) ± 3.1 mV ($V_{DET31} < 0.038$ V)^(Note1)
- Excess Discharge Current Threshold 2 (V_{DET32}) $\pm 8\%$ ($V_{DET32} \geq 0.038$ V)
- Excess Discharge Current Threshold 2 (V_{DET32}) ± 3.1 mV ($V_{DET32} < 0.038$ V)^(Note2)
- Short Detector Threshold ± 45 mV
- Excess Charge Current Threshold $\pm 15\%$ ($V_{DET4} \leq -0.02$ V)
- Excess Charge Current Threshold ± 3 mV ($V_{DET4} > -0.02$ V)^(Note3)

(Note1)

V_{DET31} Setting Range	Accuracy
0.015 V to 0.037 V	± 3.1 mV Equivalent Range: $\pm 8.4\%$ ($V_{DET31} = 0.037$ V) to $\pm 20.6\%$ ($V_{DET31} = 0.015$ V)

(Note2)

V_{DET32} Setting Range	Accuracy
0.025 V to 0.037 V	± 3.1 mV Equivalent Range: $\pm 8.4\%$ ($V_{DET32} = 0.037$ V) to $\pm 12.4\%$ ($V_{DET32} = 0.025$ V)

(Note3)

V_{DET4} Setting Range	Accuracy
-0.019 V to -0.015 V	± 3.0 mV Equivalent Range: $\pm 15.8\%$ ($V_{DET4} = -0.019$ V) to $\pm 20\%$ ($V_{DET4} = -0.015$ V)

R5486K

NO. EA-339-170112

Detector Thresholds Range

- Over-charge Detector Threshold4.1 V to 4.5 V, 0.005 V step
- Over-discharge Detector Threshold2.1 V to 3.0 V, 0.005 V step
- Short Detector Threshold0.15 V –0.30 V, 0.01 V step
- Excess Charge Current Threshold–0.060 V to –0.015 V, 0.001 V step
- Maximum Operating Voltage for Inhibition of Charger 0.7 V or 1.5 V

Detector Thresholds Range (R5486KxxxCG)

- Excess Discharge Current Threshold 1 (V_{DET31})0.015 V to 0.046 V, 0.001 V step
- Excess Discharge Current Threshold 2 (V_{DET32})0.030 V to 0.080 V, 0.001 V step ^(Note4)

(Note4)

V_{DET31} Setting Range	V_{DET32} Setting Range
$V_{DET31} \leq 0.030$ V	$V_{DET32} \geq V_{DET31} + 0.015$ V
0.031 V $\leq V_{DET31} \leq 0.035$	$V_{DET32} \geq 0.051$ V
$V_{DET31} \geq 0.036$ V	$V_{DET32} \geq V_{DET31} + 0.015$ V

Detector Thresholds Range (R5486KxxxCM)

- Excess Discharge Current Threshold 1 (V_{DET31})disable
- Excess Discharge Current Threshold 2 (V_{DET32})0.025 V to 0.080 V, 0.001 V step

Output Delay Time

- Over-charge Detector Output Delay (t_{VDET1})1.0 s
- Over-discharge Detector Output Delay (t_{VDET2})20 ms
- Excess Discharge Current Detector Output Delay 2 (t_{VDET32})12 ms
- Excess Charge Current Detector Output Delay (t_{VDET4})16 ms
- Short Detector Output Delay (t_{SHORT})250 μ s

Output Delay Time (R5486KxxxCG)

- Excess Discharge Current Detector Output Delay 1selectable from 3 s, 4 s or 5 s

Functions

- 0-V Battery Charge Optionunacceptable
- Output Delay Time Shorting FunctionAt COUT is “H”, if V– level is set at –2.0 V, the output Delay time of detect the over-charge and over-discharge can be reduced. (Delay Time for over-charge becomes about 1/100 of normal state.)
- Release Over-charge DetectorLatch-type
- Release Over-discharge DetectorLatch-type
- PackageDFN(PLP)1414-6

APPLICATIONS

- Li+/Li Polymer Protector of Over-charge, Over-discharge, Excess-current for Battery Pack
- High Precision Protectors for Smartphones and Electronic Gadgets using On-board Li+/Li Polymer Battery

SELECTION GUIDE

The input threshold of over-charge, over-discharge and excess discharge current are user-selectable options.

Selection Guide

Product Name	Package	Quantity per Reel	Pb Free	Halogen Free
R5486Kxxx\$*	DFN(PLP)1414-6	5,000 pcs	Yes	Yes

xxx: Set Voltage Code

Refer to *R5486K Code List*.

\$: Delay Time Version

Version	t _{VDET1} (s)	t _{VDET2} (ms)	t _{VDET32} (ms)	t _{VDET4} (ms)	t _{SHORT} (μs)
C	1	20	12	16	250

*: Function Version

Version	Return from Over-Charge	Return from Over-Discharge	V _{DET31}	0-V Charge
G	Latch-type	Latch-type	Enable	NG
M	Latch-type	Latch-type	Disable	NG

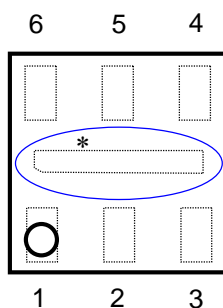
R5486K

NO. EA-339-170112

R5486K Code List

Code	V _{DET1} (V)	V _{DET2} (V)	V _{DET31} (V)	V _{DET32} (V)	V _{DET4} (V)	V _{SHORT} (V)	t _{VDET31} (s)	V _{NOCHG} (V)
R5486K101CG	4.425	2.400	0.015	0.030	-0.015	0.150	5.0	1.500
R5486K102CG	4.200	2.500	0.026	0.051	-0.046	0.150	3.0	0.700
R5486K103CG	4.280	2.600	0.030	0.045	-0.025	0.150	5.0	1.500
R5486K104CG	4.425	2.600	0.030	0.045	-0.025	0.150	5.0	1.500
R5486K105CG	4.425	2.400	0.037	0.052	-0.037	0.250	3.0	1.500
R5486K106CG	4.425	2.400	0.040	0.072	-0.022	0.250	3.0	1.500
R5486K107CG	4.425	2.400	0.040	0.072	-0.022	0.180	3.0	0.700
R5486K108CG	4.390	2.800	0.026	0.051	-0.042	0.150	5.0	0.700
R5486K109CG	4.400	2.600	0.025	0.040	-0.015	0.150	3.0	1.500
R5486K110CG	4.500	2.300	0.035	0.051	-0.043	0.250	3.0	0.700
R5486K111CG	4.450	2.600	0.033	0.055	-0.030	0.250	4.0	0.700
R5486K112CG	4.400	3.000	0.025	0.040	-0.015	0.150	3.0	1.500
R5486K113CG	4.275	2.350	0.030	0.045	-0.020	0.150	5.0	0.700
R5486K114CG	4.425	2.400	0.037	0.052	-0.033	0.250	3.0	1.500
R5486K115CG	4.280	2.900	0.030	0.045	-0.025	0.150	5.0	1.500
R5486K501CM	4.425	2.400	-	0.040	-0.022	0.300	-	1.500
R5486K502CM	4.425	2.600	-	0.052	-0.022	0.150	-	1.500
R5486K503CM	4.475	2.600	-	0.040	-0.025	0.250	-	0.700
R5486K504CM	4.425	2.400	-	0.040	-0.025	0.180	-	0.700
R5486K505CM	4.425	2.800	-	0.040	-0.030	0.150	-	1.500
R5486K506CM	4.425	2.600	-	0.030	-0.031	0.180	-	1.500
R5486K507CM	4.280	2.800	-	0.040	-0.030	0.150	-	1.500
R5486K508CM	4.230	2.800	-	0.050	-0.030	0.150	-	1.500
R5486K509CM	4.425	2.800	-	0.050	-0.030	0.150	-	1.500
R5486K510CM	4.280	2.800	-	0.050	-0.030	0.150	-	1.500
R5486K511CM	4.280	2.400	-	0.033	-0.024	0.150	-	1.500
R5486K512CM	4.405	2.800	-	0.040	-0.030	0.150	-	1.500
R5486K513CM	4.405	2.400	-	0.033	-0.024	0.150	-	1.500
R5486K514CM	4.450	2.600	-	0.040	-0.030	0.150	-	1.500
R5486K515CM	4.280	2.400	-	0.040	-0.030	0.150	-	1.500
R5486K516CM	4.425	2.800	-	0.050	-0.055	0.250	-	1.500
R5486K517CM	4.425	2.800	-	0.065	-0.060	0.180	-	1.500
R5486K518CM	4.425	2.400	-	0.034	-0.023	0.180	-	0.700
R5486K519CM	4.475	2.400	-	0.040	-0.025	0.180	-	0.700
R5486K520CM	4.425	2.400	-	0.030	-0.060	0.180	-	0.700
R5486K521CM	4.420	2.500	-	0.035	-0.030	0.150	-	0.700
R5486K522CM	4.475	2.400	-	0.042	-0.025	0.180	-	0.700
R5486K523CM	4.420	2.500	-	0.028	-0.025	0.150	-	0.700
R5486K524CM	4.425	2.800	-	0.026	-0.026	0.150	-	1.500
R5486K525CM	4.475	2.800	-	0.040	-0.025	0.180	-	0.700
R5486K526CM	4.475	2.600	-	0.040	-0.025	0.180	-	0.700
R5486K527CM	4.475	2.800	-	0.025	-0.021	0.150	-	1.500
R5486K528CM	4.475	2.500	-	0.045	-0.035	0.150	-	0.700
R5486K529CM	4.475	2.500	-	0.045	-0.036	0.150	-	0.700
R5486K530CM	4.475	2.600	-	0.046	-0.031	0.150	-	0.700

PIN DESCRIPTION



DFN(PLP)1414-6 Pin Configuration

* The tab on the bottom of the package shown by blue circle is not connected to the ground plane on the board.

DFN(PLP)1414-5 Pin Description

Pin No.	Symbol	Description
1	VSS	VSS pin. Ground pin for the IC
2	VDD	Power supply pin, the substrate voltage level of the IC.
3	RSENS	Input of overcurrent detection
4	V-	Pin for charger negative input
5	COUT	Output of over-charge detection, CMOS output
6	DOUT	Output of over-discharge detection, CMOS output

R5486K

NO. EA-339-170112

ABSOLUTE MAXIMUM RATINGS**Absolute Maximum Ratings****(Ta = 25°C, V_{SS} = 0 V)**

Symbol	Parameter	Ratings	Unit
V _{DD}	Supply Voltage	-0.3 to 12	V
V-	V- Pin Input Voltage	V _{DD} -30 to V _{DD} +0.3	V
V _{RSENS}	RSENS Pin Input Voltage	V _{SS} -0.3 to V _{DD} +0.3	V
V _{COU}	COU Pin Output Voltage	V _{DD} -30 to V _{DD} +0.3	V
V _{DOU}	DOU Pin Output Voltage	V _{SS} -0.3 to V _{DD} +0.3	V
P _D	Power Dissipation	150	mW
T _j	Junction Temperature Range	-40 to 125	°C
T _{stg}	Storage Temperature Range	-55 to 125	°C

ABSOLUTE MAXIMUM RATINGS

Electronic and mechanical stress momentarily exceeded absolute maximum ratings may cause the permanent damages and may degrade the lifetime and safety for both device and system using the device in the field. The functional operation at or over these absolute maximum ratings is not assured.

RECOMMENDED OPERATING CONDITIONS**Recommended Operating Conditions**

Symbol	Parameter	Rating	Unit
V _{DD1}	Operating Input Voltage	1.5 to 5.0	V
T _a	Operating Temperature Range	-40 to 85	°C

RECOMMENDED OPERATING CONDITIONS

All of electronic equipment should be designed that the mounted semiconductor devices operate within the recommended operating conditions. The semiconductor devices cannot operate normally over the recommended operating conditions, even if when they are used over such conditions by momentary electronic noise or surge. And the semiconductor devices may receive serious damage when they continue to operate over the recommended operating conditions.

ELECTRICAL CHARACTERISTICS

R5486K Electrical Characteristics

(Ta = 25°C)

Symbol	Parameter	Test Conditions/Comments	Min.	Typ.	Max.	Unit
V _{NOCHG}	Maximum Operating Voltage for Inhibition of Charger	Voltage Defined as V _{DD} -V _{SS} , V _{DD} - V ₋ = 4 V	V _{NOCHG} -0.3	V _{NOCHG}	V _{NOCHG} +0.3	V
V _{DET1}	Over-charge Threshold Voltage	R1 = 330 Ω	V _{DET1} -0.020	V _{DET1}	V _{DET1} +0.020	V
t _{VD1}	Output Delay of Over-charge	V _{DD} = 3.6 V → V _{DET1} + 0.05 V	0.7	1.0	1.3	s
t _{VREL1}	Release Delay for VD1	V _{DD} = 3.9 V, V ₋ = 0 V → 1 V	11	16	21	ms
V _{DET2}	Over-discharge Threshold	Detect falling edge of supply voltage	V _{DET2} -0.035	V _{DET2}	V _{DET2} +0.035	V
t _{VD2}	Output Delay of Over-discharge	V _{DD} = V _{DET2} + 0.13 V → V _{DET2} - 0.08 V	14	20	26	ms
t _{VREL2}	Release Delay for VD2	V _{DD} = 1.9 V → V _{DET2} + 0.08 V	0.7	1.2	1.7	ms
V _{DET31}	Excess Discharge-current Threshold (V _{DET31} < 0.038 V)	Detect rising edge of RSENS pin voltage	V _{DET31} -0.0031	V _{DET31}	V _{DET31} +0.0031	V
V _{DET31}	Excess Discharge-current Threshold (V _{DET31} ≥ 0.038 V)	Detect rising edge of RSENS pin voltage	V _{DET31} ×0.92	V _{DET31}	V _{DET31} ×1.08	V
t _{VD31}	Output Delay of Excess Discharge-current 1	V _{DD} = 3.0 V, V _{RSENS} = 0 V to V _{DET31} × 1.18 V ₋ = V _{RSENS}	t _{VD31} ×0.7	t _{VD31}	t _{VD31} ×1.3	s
V _{DET32}	Excess Discharge-current Threshold (V _{DET32} < 0.038 V)	Detect rising edge of RSENS pin voltage, V ₋ = 0 V	V _{DET32} -0.0031	V _{DET32}	V _{DET32} +0.0031	V
V _{DET32}	Excess Discharge-current Threshold (V _{DET32} ≥ 0.038 V)	Detect rising edge of RSENS pin voltage, V ₋ = 0 V	V _{DET32} ×0.92	V _{DET32}	V _{DET32} ×1.08	V
t _{VD32}	Output Delay of Excess Discharge-current 2	V _{DD} = 3.0 V, V _{RSENS} = 0 V to 0.1 V, V ₋ = V _{RSENS}	8	12	16	ms
t _{VREL3}	Output Delay of Release from Excess Discharge-current	V _{DD} = 3.1 V, V ₋ = 3.1 V to 0 V V ₋ = V _{RSENS}	0.7	1.2	1.7	ms
V _{SHORT}	Short Protection Voltage	V _{DD} = 3.1 V, V _{RSENS} = V ₋	V _{SHORT} -0.045	V _{SHORT}	V _{SHORT} +0.045	V
t _{SHORT}	Delay Time for Short Protection ⁽¹⁾	V _{DD} = 3.1 V, V _{RSENS} = 0 V to 3.1 V, V ₋ = V _{RSENS}	180	250	425	μs
R _{SHORT}	Reset Resistance for Excess Current Protection	V _{DD} = 3.6 V, V ₋ = 1.0 V	20	45	70	kΩ
V _{DET4}	Excess Charge-current Threshold (V _{DET4} > -0.02 V)	Detect falling edge of RSENS pin voltage, V ₋ = 0 V	V _{DET4} -0.003	V _{DET4}	V _{DET4} +0.003	V
V _{DET4}	Excess Charge-current Threshold (V _{DET4} ≤ -0.02 V)	Detect falling edge of RSENS pin voltage, V ₋ = 0 V	V _{DET4} ×1.15	V _{DET4}	V _{DET4} ×0.85	V
t _{VD4}	Output Delay of Excess Charge-current	V _{DD} = 3.1 V, V _{RSENS} = 0 V to -0.5 V, V ₋ = V _{RSENS}	11	16	21	ms
t _{VREL4}	Output Delay of Release from Excess Charge-current	V _{DD} = 3.1 V, V ₋ = -0.5 V to 0 V, V ₋ = V _{RSENS}	0.7	1.2	1.7	ms
V _{DS}	Delay Time Shortening Mode Voltage	V _{DD} = 3.6 V	-2.6	-2.0	-1.4	V
V _{OL1}	Nch ON-Voltage of C _{OUT}	I _{ol} = 50 μA, V _{DD} = 4.55 V		0.4	0.5	V
V _{OH1}	Pch ON-Voltage of C _{OUT}	I _{oh} = -50 μA, V _{DD} = 3.9 V	3.4	3.7		V
V _{OL2}	Nch ON-Voltage of D _{OUT}	I _{ol} = 50 μA, V _{DD} = 1.9 V		0.2	0.5	V
V _{OH2}	Pch ON-Voltage of D _{OUT}	I _{oh} = -50 μA, V _{DD} = 3.9 V	3.4	3.7		V
I _{DD}	Supply Current	V _{DD} = 3.9 V, V ₋ = 0 V		4.0	8.0	μA
I _{standby}	Standby Current	V _{DD} = 2.0 V			0.1	μA

⁽¹⁾ Output Delay Time for Release from Short Protection is the same value as t_{VREL3}.

R5486K

NO. EA-339-170112

ELECTRICAL CHARACTERISTICS (continued)

All of these specifications are guaranteed by design, not tested in mass production.

R5486K Electrical Characteristics

(Ta = 20°C to +60°C)

Symbol	Parameter	Test Conditions/Comments	Min.	Typ.	Max.	Unit
V _{NOCHG}	Maximum Operating Voltage for Inhibition of Charger	Voltage Defined as V _{DD} -V _{SS} , V _{DD} - V ₋ = 4 V	V _{NOCHG} -0.43	V _{NOCHG}	V _{NOCHG} +0.4	V
V _{DET1}	Over-charge Threshold Voltage	R1 = 330 Ω	V _{DET1} -0.025	V _{DET1}	V _{DET1} +0.025	V
t _{VDET1}	Output Delay of Over-charge	V _{DD} = 3.6 V → V _{DET1} + 0.05 V	0.67	1.0	1.48	s
t _{VREL1}	Release Delay for VD1	V _{DD} = 3.9 V, V ₋ = 0 V → 1 V	10.2	16	24.4	ms
V _{DET2}	Over-discharge Threshold	Detect falling edge of supply voltage	V _{DET2} -0.040	V _{DET2}	V _{DET2} +0.040	V
t _{VDET2}	Output Delay of Over-discharge	V _{DD} = V _{DET2} + 0.13 V → V _{DET2} - 0.08 V	13.1	20	30	ms
t _{VREL2}	Release Delay for VD2	V _{DD} = 1.9 V → V _{DET2} + 0.08 V	0.65	1.2	1.93	ms
V _{DET31}	Excess Discharge-current Threshold (V _{DET31} < 0.038 V)	Detect rising edge of RSENS pin voltage	V _{DET31} -0.0042	V _{DET31}	V _{DET31} +0.0042	V
V _{DET31}	Excess Discharge-current Threshold (V _{DET31} ≥ 0.038 V)	Detect rising edge of RSENS pin voltage	V _{DET31} ×0.89	V _{DET31}	V _{DET31} ×1.11	V
t _{VDET31}	Output Delay of Excess Discharge-current 1	V _{DD} = 3.0 V, V _{RSENS} = 0 V to V _{DET31} × 1.18 V ₋ = V _{RSENS}	t _{VDET31} ×0.66	t _{VDET31}	t _{VDET31} ×1.47	s
V _{DET32}	Excess Discharge-current Threshold (V _{DET32} < 0.038 V)	Detect rising edge of RSENS pin voltage, V ₋ = 0 V	V _{DET32} -0.0042	V _{DET32}	V _{DET32} +0.0042	V
V _{DET32}	Excess Discharge-current Threshold (V _{DET32} ≥ 0.038 V)	Detect rising edge of RSENS pin voltage, V ₋ = 0 V	V _{DET32} ×0.89	V _{DET32}	V _{DET32} ×1.11	V
t _{VDET32}	Output Delay of Excess Discharge-current 2	V _{DD} = 3.0 V, V _{RSENS} = 0 V to 0.1 V, V ₋ = V _{RSENS}	7.4	12	18.5	ms
t _{VREL3}	Output Delay of Release from Excess Discharge-current	V _{DD} = 3.1 V, V ₋ = 3.1 V to 0 V V ₋ = V _{RSENS}	0.65	1.2	1.9	ms
V _{SHORT}	Short Protection Voltage	V _{DD} = 3.1 V, V _{RSENS} = V ₋	V _{SHORT} -0.050	V _{SHORT}	V _{SHORT} +0.050	V
t _{SHORT}	Delay Time for Short Protection ⁽¹⁾	V _{DD} = 3.1 V, V _{RSENS} = 0 V to 3.1 V, V ₋ = V _{RSENS}	160	250	490	μs
R _{SHORT}	Reset Resistance for Excess Current Protection	V _{DD} = 3.6 V, V ₋ = 1.0 V	17.1	45	71	kΩ
V _{DET4}	Excess Charge-current Threshold (V _{DET4} > -0.02 V)	Detect falling edge of RSENS pin voltage, V ₋ = 0 V	V _{DET4} -0.0040	V _{DET4}	V _{DET4} +0.0040	V
V _{DET4}	Excess Charge-current Threshold (V _{DET4} ≤ -0.02 V)	Detect falling edge of RSENS pin voltage, V ₋ = 0 V	V _{DET4} ×1.17	V _{DET4}	V _{DET4} ×0.83	V
t _{VDET4}	Output Delay of Excess Charge-current	V _{DD} = 3.1 V, V _{RSENS} = 0 V to -0.5 V, V ₋ = V _{RSENS}	10.7	16	23.6	ms
t _{VREL4}	Output Delay of Release from Excess Charge-current	V _{DD} = 3.1 V, V ₋ = -0.5 V to 0 V, V ₋ = V _{RSENS}	0.65	1.2	1.93	ms
V _{DS}	Delay Time Shortening Mode Voltage	V _{DD} = 3.6 V	-2.7	-2.0	-1.2	V
V _{OL1}	Nch ON-Voltage of C _{OUT}	I _{ol} = 50 μA, V _{DD} = 4.55 V		0.4	0.5	V
V _{OH1}	Pch ON-Voltage of C _{OUT}	I _{oh} = -50 μA, V _{DD} = 3.9 V	3.4	3.7		V
V _{OL2}	Nch ON-Voltage of D _{OUT}	I _{ol} = 50 μA, V _{DD} = 1.9 V		0.2	0.5	V
V _{OH2}	Pch ON-Voltage of D _{OUT}	I _{oh} = -50 μA, V _{DD} = 3.9 V	3.4	3.7		V
I _{DD}	Supply Current	V _{DD} = 3.9 V, V ₋ = 0 V		4.0	8.7	μA
I _{standby}	Standby Current	V _{DD} = 2.0 V			0.12	μA

⁽¹⁾ Output Delay Time for Release from Short Protection is the same value as t_{VREL3}.

ELECTRICAL CHARACTERISTICS (continued)

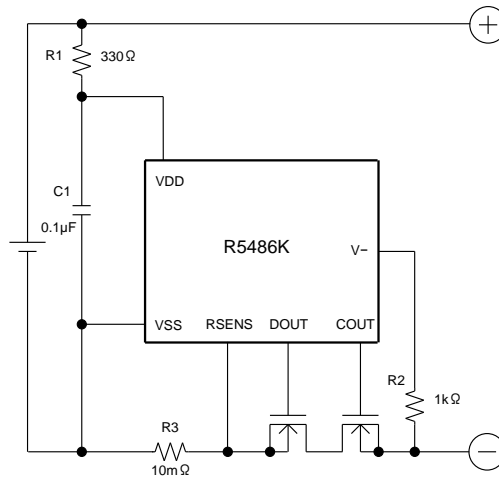
All of these specifications are guaranteed by design, not tested in mass production.

R5486K Electrical Characteristics

(Ta = -40°C to +85°C)

Symbol	Parameter	Test Conditions/Comments	Min.	Typ.	Max.	Unit
V _{NOCHG}	Maximum Operating Voltage for Inhibition of Charger	Voltage Defined as V _{DD} -V _{SS} , V _{DD} - V ₋ = 4 V	V _{NOCHG} -0.423	V _{NOCHG}	V _{NOCHG} +0.44	V
V _{DET1}	Over-charge Threshold Voltage	R1 = 330 Ω	V _{DET1} -0.033	V _{DET1}	V _{DET1} +0.031	V
t _{VDET1}	Output Delay of Over-charge	V _{DD} = 3.6 V → V _{DET1} + 0.05 V	0.67	1.0	1.55	s
t _{VREL1}	Release Delay for VD1	V _{DD} = 3.9 V, V ₋ = 0 V → 1 V	10.2	16	26.0	ms
V _{DET2}	Over-discharge Threshold	Detect falling edge of supply voltage	V _{DET2} -0.043	V _{DET2}	V _{DET2} +0.040	V
t _{VDET2}	Output Delay of Over-discharge	V _{DD} = V _{DET2} + 0.13 V → V _{DET2} - 0.08 V	13.1	20	31.8	ms
t _{VREL2}	Release Delay for VD2	V _{DD} = 1.9 V → V _{DET2} + 0.08 V	0.65	1.2	2.04	ms
V _{DET31}	Excess Discharge-current Threshold (V _{DET31} < 0.038 V)	Detect rising edge of RSENS pin voltage	V _{DET31} -0.0042	V _{DET31}	V _{DET31} +0.0042	V
V _{DET31}	Excess Discharge-current Threshold (V _{DET31} ≥ 0.038 V)	Detect rising edge of RSENS pin voltage	V _{DET31} ×0.89	V _{DET31}	V _{DET31} ×1.11	V
t _{VDET31}	Output Delay of Excess Discharge-current 1	V _{DD} = 3.0 V, V _{RSENS} = 0 V to V _{DET31} × 1.18 V ₋ = V _{RSENS}	t _{VDET31} ×0.66	t _{VDET31}	t _{VDET31} ×1.57	s
V _{DET32}	Excess Discharge-current Threshold (V _{DET32} < 0.038 V)	Detect rising edge of RSENS pin voltage, V ₋ = 0 V	V _{DET32} -0.0042	V _{DET32}	V _{DET32} +0.0042	V
V _{DET32}	Excess Discharge-current Threshold (V _{DET32} ≥ 0.038 V)	Detect rising edge of RSENS pin voltage, V ₋ = 0 V	V _{DET32} ×0.89	V _{DET32}	V _{DET32} ×1.11	V
t _{VDET32}	Output Delay of Excess Discharge-current 2	V _{DD} = 3.0 V, V _{RSENS} = 0 V to 0.1 V, V ₋ = V _{RSENS}	7.4	12	19.7	ms
t _{VREL3}	Output Delay of Release from Excess Discharge-current	V _{DD} = 3.1 V, V ₋ = 3.1 V to 0 V V ₋ = V _{RSENS}	0.65	1.2	2.0	ms
V _{SHORT}	Short Protection Voltage	V _{DD} = 3.1 V, V _{RSENS} = V ₋	V _{SHORT} -0.05 0	V _{SHORT}	V _{SHORT} +0.05 0	V
t _{SHORT}	Delay Time for Short Protection ⁽¹⁾	V _{DD} = 3.1 V, V _{RSENS} = 0 V to 3.1 V, V ₋ = V _{RSENS}	160	250	495	μs
R _{SHORT}	Reset Resistance for Excess Current Protection	V _{DD} = 3.6 V, V ₋ = 1.0 V	14.4	45	71	kΩ
V _{DET4}	Excess Charge-current Threshold (V _{DET4} > -0.02 V)	Detect falling edge of RSENS pin voltage, V ₋ = 0 V	V _{DET4} -0.0041	V _{DET4}	V _{DET4} +0.0042	V
V _{DET4}	Excess Charge-current Threshold (V _{DET4} ≤ -0.02 V)	Detect falling edge of RSENS pin voltage, V ₋ = 0 V	V _{DET4} ×1.17	V _{DET4}	V _{DET4} ×0.83	V
t _{VDET4}	Output Delay of Excess Charge-current	V _{DD} = 3.1 V, V _{RSENS} = 0 V to -0.5 V, V ₋ = V _{RSENS}	10.7	16	28.3	ms
t _{VREL4}	Output Delay of Release from Excess Charge-current	V _{DD} = 3.1 V, V ₋ = -0.5 V to 0 V, V ₋ = V _{RSENS}	0.65	1.2	2.04	ms
V _{DS}	Delay Time Shortening Mode Voltage	V _{DD} = 3.6 V	-2.7	-2.0	-1.2	V
V _{OL1}	Nch ON-Voltage of C _{OUT}	I _{ol} = 50 μA, V _{DD} = 4.55 V		0.4	0.5	V
V _{OH1}	Pch ON-Voltage of C _{OUT}	I _{oh} = -50 μA, V _{DD} = 3.9 V	3.4	3.7		V
V _{OL2}	Nch ON-Voltage of D _{OUT}	I _{ol} = 50 μA, V _{DD} = 1.9 V		0.2	0.5	V
V _{OH2}	Pch ON-Voltage of D _{OUT}	I _{oh} = -50 μA, V _{DD} = 3.9 V	3.4	3.7		V
I _{DD}	Supply Current	V _{DD} = 3.9 V, V ₋ = 0 V		4.0	9.08	μA
I _{standby}	Standby Current	V _{DD} = 2.0 V			0.12	μA

⁽¹⁾ Output Delay Time for Release from Short Protection is the same value as t_{VREL3}.

APPLICATION INFORMATION**R5486K Typical Application Circuit**

- R1 and C1 stabilize a supply voltage to the R5486K. A recommended R1 value is equal or less than 1 k Ω . A large value of R1 makes detection voltage shift higher because of the conduction current flowed in the R5486K. Further, to stabilize the operation of R5486K, use the C1 with the value of 0.01 μ F or more.
- R1 and R2 can operate also as parts for current limit circuit against reverse charge or applying a charger with excess charging voltage to the R5486K, battery pack. While small value of R1 and R2 may cause over power dissipation rating of the R5486K, therefore a total of “R1+R2” should be 1 k Ω or more. Besides, if a large value of R2 is set, release from over-discharge by connecting a charger might not be possible. Recommended R2 value is equal or less than 10 k Ω .
- R3 is a resistor for sensing an excess current. If the resistance value is too large, power loss becomes also large. By the excess current, if the R3 is not appropriate, the power loss may be beyond the power dissipation of R3. Choose an appropriate R3 according to the cell specification.
- The typical application circuit diagram is just an example. This circuit performance largely depends on the PCB layout and external components. In the actual application, fully evaluation is necessary.
- Over-voltage and the over current beyond the absolute maximum rating should not be forced to the protection IC and external components. Although the short protection circuit is built in the IC, if the positive terminal and the negative terminal of the battery pack are short, during the delay time of short limit detector, large current flows through the FET. Select an appropriate FET with large enough current capacity to prevent the IC from burning damage.
- We are making our continuous effort to improve the quality and reliability of our products, but semiconductor products are likely to fail with certain probability. In order to prevent any injury to humans or damages to property resulting from such failure, users should be careful enough to incorporate safe measures in design, such as redundancy, fire-containment, and fail-safe feature. We do not assume any liability or responsibility for any loss or damage arising from misuse or inappropriate use of the products.

SENSE RESISTANCE AND ON-RESISTANCE OF THE MOSFET SELECTION GUIDELINE

Short mode is detected by the current base or the relation between V_{DD} at short and total on-resistance of external MOSFETs for COUT and DOUT.

If short must be detected by the current base determined by V_{SHORT} and $R3$, the next formula must be true, otherwise, the short current limit becomes $(V_{DD} - 0.9) / (R3 + R_{SS} (on))$

$$\frac{V_{DD} - 0.9}{R3 + R_{SS} (on)} \geq \frac{V_{SHORT}}{R3}$$

V_{SHORT} = Short Protection Voltage (V)

$R3$ = External Current Sense Resistance (Ω)

$R_{SS} (on)$ = External MOSFETs' Total On-Resistance (Ω)

V_{DD} = V_{DD} level at short mode. If V_{DD} goes down by the short current, the lowest level is V_{DD} .

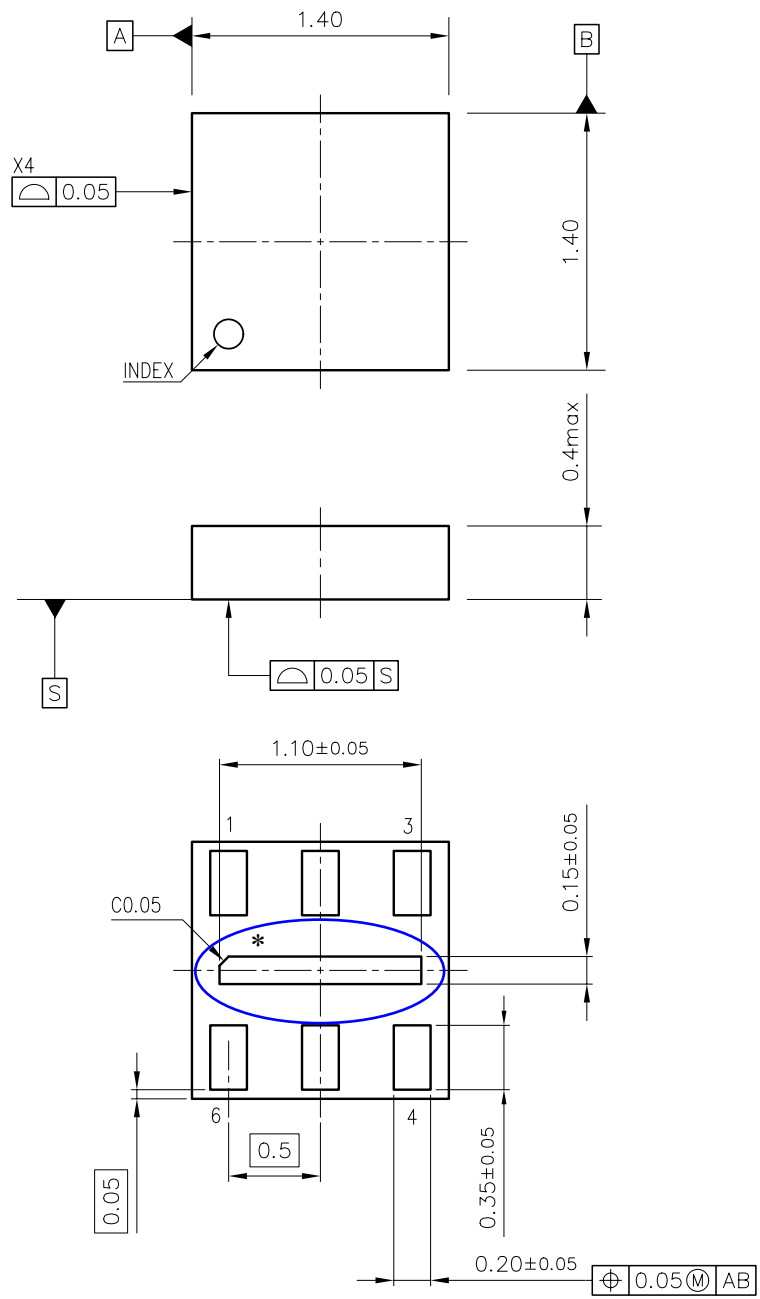
Ex. 1

As the R_{SENSE} , in case that the 5 m Ω is selected as $R3$ and if the V_{DD} becomes 3.0 V, to detect short at 36 A with $V_{SHORT} = 0.18$ V, the $R_{SS} (on)$ must be 53 m Ω or lower.

Ex. 2

As the R_{SENSE} , in case the 10 m Ω is selected as $R3$ and if the V_{DD} becomes 3.0 V, to detect short at 18 A with $V_{SHORT} = 0.18$ V, the $R_{SS} (on)$ must be 106 m Ω or lower.

If the $R_{SS} (on)$ value is higher than the value calculated by this formula, the short current limit will be less than the desired value.



UNIT: mm

DFN(PLP)1414-6 Package Dimensions

* The tab on the bottom of the package shown by blue circle is not connected to the ground plane on the board.



1. The products and the product specifications described in this document are subject to change or discontinuation of production without notice for reasons such as improvement. Therefore, before deciding to use the products, please refer to Ricoh sales representatives for the latest information thereon.
2. The materials in this document may not be copied or otherwise reproduced in whole or in part without prior written consent of Ricoh.
3. Please be sure to take any necessary formalities under relevant laws or regulations before exporting or otherwise taking out of your country the products or the technical information described herein.
4. The technical information described in this document shows typical characteristics of and example application circuits for the products. The release of such information is not to be construed as a warranty of or a grant of license under Ricoh's or any third party's intellectual property rights or any other rights.
5. The products listed in this document are intended and designed for use as general electronic components in standard applications (office equipment, telecommunication equipment, measuring instruments, consumer electronic products, amusement equipment etc.). Those customers intending to use a product in an application requiring extreme quality and reliability, for example, in a highly specific application where the failure or misoperation of the product could result in human injury or death (aircraft, spacevehicle, nuclear reactor control system, traffic control system, automotive and transportation equipment, combustion equipment, safety devices, life support system etc.) should first contact us.
6. We are making our continuous effort to improve the quality and reliability of our products, but semiconductor products are likely to fail with certain probability. In order to prevent any injury to persons or damages to property resulting from such failure, customers should be careful enough to incorporate safety measures in their design, such as redundancy feature, fire containment feature and fail-safe feature. We do not assume any liability or responsibility for any loss or damage arising from misuse or inappropriate use of the products.
7. Anti-radiation design is not implemented in the products described in this document.
8. The X-ray exposure can influence functions and characteristics of the products. Confirm the product functions and characteristics in the evaluation stage.
9. WLCSP products should be used in light shielded environments. The light exposure can influence functions and characteristics of the products under operation or storage.
10. There can be variation in the marking when different AOI (Automated Optical Inspection) equipment is used. In the case of recognizing the marking characteristic with AOI, please contact Ricoh sales or our distributor before attempting to use AOI.
11. Please contact Ricoh sales representatives should you have any questions or comments concerning the products or the technical information.



Ricoh is committed to reducing the environmental loading materials in electrical devices with a view to contributing to the protection of human health and the environment.

Ricoh has been providing RoHS compliant products since April 1, 2006 and Halogen-free products since April 1, 2012.

RICOH RICOH ELECTRONIC DEVICES CO., LTD.

<http://www.e-devices.ricoh.co.jp/en/>

Sales & Support Offices

RICOH ELECTRONIC DEVICES CO., LTD.

Higashi-Shinagawa Office (International Sales)
3-32-3, Higashi-Shinagawa, Shinagawa-ku, Tokyo 140-8655, Japan
Phone: +81-3-5479-2857 Fax: +81-3-5479-0502

RICOH EUROPE (NETHERLANDS) B.V.

Semiconductor Support Centre
Prof. W.H. Keesomlaan 1, 1183 DJ Amstelveen, The Netherlands
Phone: +31-20-5474-309

RICOH INTERNATIONAL B.V. - German Branch

Semiconductor Sales and Support Centre
Oberrather Strasse 6, 40472 Düsseldorf, Germany
Phone: +49-211-6546-0

RICOH ELECTRONIC DEVICES KOREA CO., LTD.

3F, Haesung Bldg, 504, Teheran-ro, Gangnam-gu, Seoul, 135-725, Korea
Phone: +82-2-2135-5700 Fax: +82-2-2051-5713

RICOH ELECTRONIC DEVICES SHANGHAI CO., LTD.

Room 403, No.2 Building, No.690 Bibo Road, Pu Dong New District, Shanghai 201203, People's Republic of China
Phone: +86-21-5027-3200 Fax: +86-21-5027-3299

RICOH ELECTRONIC DEVICES CO., LTD.

Taipei office
Room 109, 10F-1, No.51, Hengyang Rd., Taipei City, Taiwan (R.O.C.)
Phone: +886-2-2313-1621/1622 Fax: +886-2-2313-1623